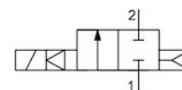


2/2-Way solenoid valve - pilot-operated Series SL200



normally closed (de-energized closed)

Design type	2/2-way solenoid valve with diaphragm seal-off, pilot-operated, normally closed (de-energized closed)
Connection	G3/8" ... G1/2" according to ISO228/1
Materials	Body Brass, Guide tube Stainless steel one-piece, Internal parts Brass and Stainless steel similar to 1.4104, Diaphragm material NBR, EPDM or FKM
Application range	gaseous and liquid media that do not attack the materials used
Viscosity	max. 12mm ² /s (cst)
Switching time	depending on operating pressure and medium
Medium temperature	depending on the sealing material and solenoid coil
Ambient temperature	see table "Solenoid coil"
Mounting type	Installation in rigid piping system
Mounting position	any

Electrical data:

Coil type	Type BDA, Connector width 32mm (Standard coil) Type BDV, Connector width 32mm (Coil for humid environment) Type GDH/GDV, Connector width 32mm (Coil for higher pressures, Coil for humid environment)
Electrical connection	Appliance socket according to EN175301-803 Form A (see separate data sheet)
Voltage type	AC and DC voltage
Standard voltage	230V/50-60Hz, 24V/50-60Hz, 24VDC
Special voltages	12...380V/50Hz or 60Hz, 12...220VDC
Permissible voltage fluctuation	AC +10%/-15%, DC +10%/-5%
Power consumption	see table "Power consumption of the solenoid coils"
Duty cycle	100% duty cycle (continuous operation)
Degree of protection	IP65 according to EN 60529 with correctly mounted device connector (protection against dust ingress and water jets)
Application note	When ordering, please specify voltage and type of current. We always recommend installing a strainer upstream to prevent malfunctions in the event of contamination of the medium.. These valves can also be used for rough vacuum, provided that the minimum differential pressure of 0.1 bar is present..



Type code

	SL200	-	38	-	V	-	A S 01 - 01	
Type	SL200							
Connection	G3/8"		38					
	G1/2"		12					
Seal	Standard seal NBR - Leave blank							
	EPDM				E			
	FKM				V			
Coil	without coil - Leave blank							
	BDA Standard coil - Approval CE							A
	BDV Coil for humid environment - Approval CE-CSA-UL-VDE							C
	GDH Coil for higher pressures - Coil for humid environment - Approval CE							D
	GDV Coil for higher pressures - Coil for humid environment - Approval CE-CSA-UL-VDE							E
Device connector	without device connector - Leave blank							
	Standard							S
	with integrated yellow LED and VDR							L
	with moulded PVC cable (2 m)							M
Voltage	220-230V/50-60Hz							01
	230V/50-240V/60Hz							02
	24VDC							03
	24V/50-60Hz							04
	12VDC							05
	48VDC							06
	110VDC							07
	220VDC							08
	42V/50Hz							10
	48V/50Hz							11
	110V/50-60Hz							13
	110V/50-120V/60Hz							14
	380V/50-60Hz							16
220-240V/50-60Hz							20	
Special version	described in the item text						01	

Possible applications of the individual sealing materials

Material	Medium temperature	Application examples
NBR	-10...90°C	Air, Water, neutral gases and liquids
EPDM	-10...140°C	Hot water, Steam, Oxygen
FKM	-10...140°C	Oils, Gasoline, Diesel

Solenoid coils

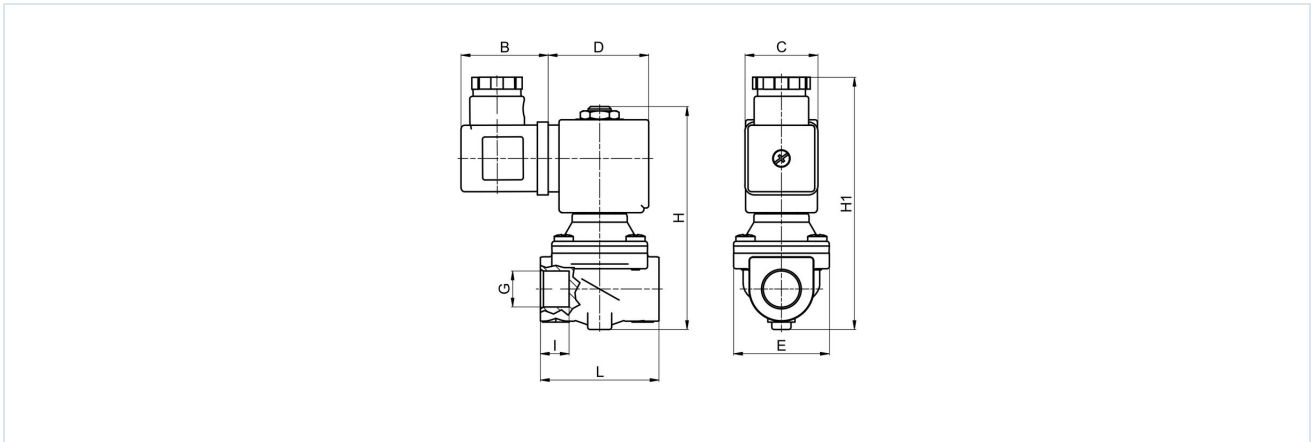
Type	Degree of protection	Insert	Ambient temperature	Approvals
BDA	IP65	Medium temperature up to max. 120°C	-10...+40°C	CE
BDV	IP65	Medium temperature up to max. 180°C, high humidity	-20...+60°C	CE-CSA-UL-VDE
GDV.....S	IP65	Medium temperature up to max. 180°C, high humidity	-20...+60°C	CE
GDV.....Y	IP65	Medium temperature up to max. 180°C, high humidity	-20...+60°C	CE-CSA-UL-VDE
GDH	IP65	Medium temperature up to max. 180°C, high humidity	-20...+40°C	CE



Power consumption of the solenoid coils

Voltage	Tightening torque (Alternating current) VA	Holding force (Alternating current) VA	Holding force (Direct current) operating temperature W	Type
12VDC	-	-	11	BDA08012CS
24V/50-60Hz	25	14,5	-	BDA08024DS
24VDC	-	-	11	BDA08024CS
42V/50Hz	25	14,5	-	BDA08042AS
48V/50Hz	25	14,5	-	BDA08048AS
110V/50-60Hz	25	14,5	-	BDA08110DS
110VDC	-	-	8	BDA08110CS
220-230V/50-60Hz	25	14,5	-	BDA08223DS
380V/50-60Hz	25	14,5	-	BDA08380DS
24V/50-60Hz	38,5	17	-	BDV08024DY
24VDC	-	-	11	BDV08024CY
110V/50Hz 120V/60Hz	36,1	15	-	BDV08110AY
230V/50Hz 240V/60Hz	25	16	-	BDV08230AY
12VDC	-	-	23	GDH14012CS
24V/50-60Hz	59,5	27	-	GDV14024DY
24VDC	-	-	14	GDV14024CY
48VDC	-	-	14	GDH14048CS
110V/50Hz 120V/60Hz	57,5	31	-	GDV14110AY
230V/50Hz 240V/60Hz	62	31	-	GDV14230AY
220VDC	-	-	14	GDV14220CS

Dimensions



Connection G	Nominal size DN[mm]	Pressure range [bar]		B	C	D	E	H	H1	I	L	Kv value [m³/h Water]	Weight [approx. kg]	Coil	Type
		AC	DC												
G3/8"	12	0,1...20	0,1...10	36	30	42	40	94,5	106	10	50	2,1	0,50	BD.	SL200-38
G3/8"	12	0,1...20	0,1...20	36	52	55	40	94,5	106	10	50	2,1	0,75	GD.	SL200-38
G1/2"	12	0,1...20	0,1...10	36	30	42	40	94,5	106	10	50	2,7	0,50	BD.	SL200-12
G1/2"	12	0,1...20	0,1...20	36	52	55	40	94,5	106	10	50	2,7	0,75	GD.	SL200-12

Illustrations non-binding

Design, dimensional and material changes reserved

Armatures / Solenoid valves for liquids and gases / 2/2-way solenoid valves - pilot operated / 2/2-way solenoid valve Series SL200, 21H

Version 6

137899 / Generated 2026/23 EN

MADE IN EUROPE

+43 512 52076

austria@stasto.eu

© STASTO Automation KG

www.stasto.com

Open series online

Page 3 / 3

