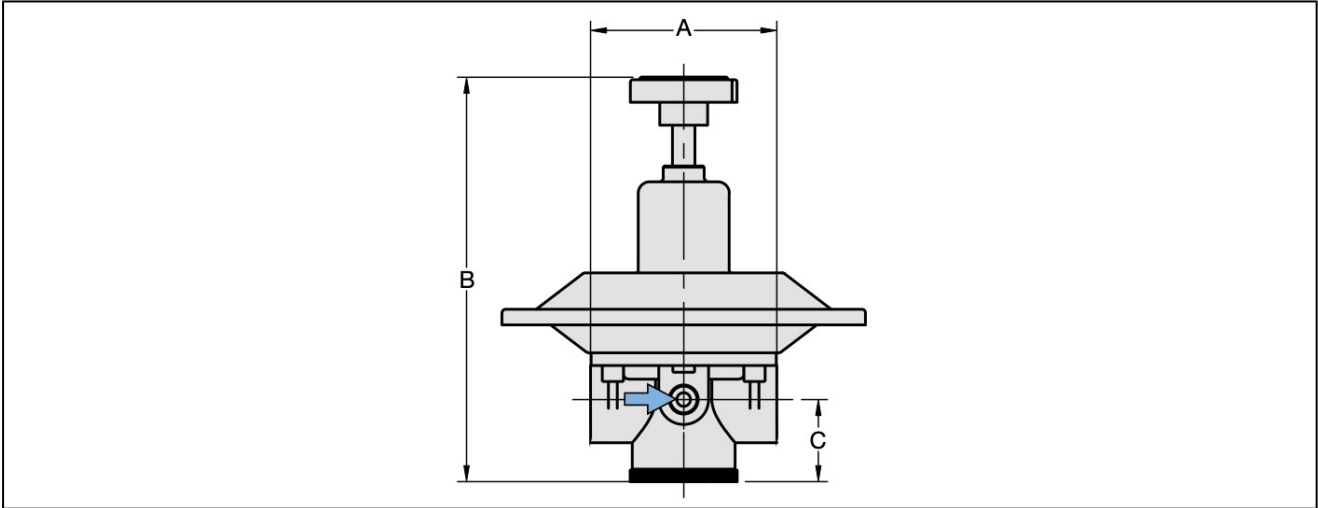


## low pressure regulator series PR113



design	pressure regulator with balanced single-seated valve, without relieving
function	regulation of the outlet pressure by turning knob
connection	G1/2"
manometer connection	G1/4"
materials	body aluminum, inner parts stainless steel/brass, spring cover stainless steel, diaphragm PTFE-NBR, seals FKM
application	gaseous and liquid fluids which do not affect the used materials
medium temperature	-20...+80°C
ambient temperature	-20...+80°C
inlet pressure	max. 10bar
adjustment range	see table
flow direction	is marked by an arrow
type of fixing	installed into rigid pipework
mounting position	any
scope of supply	without manometer

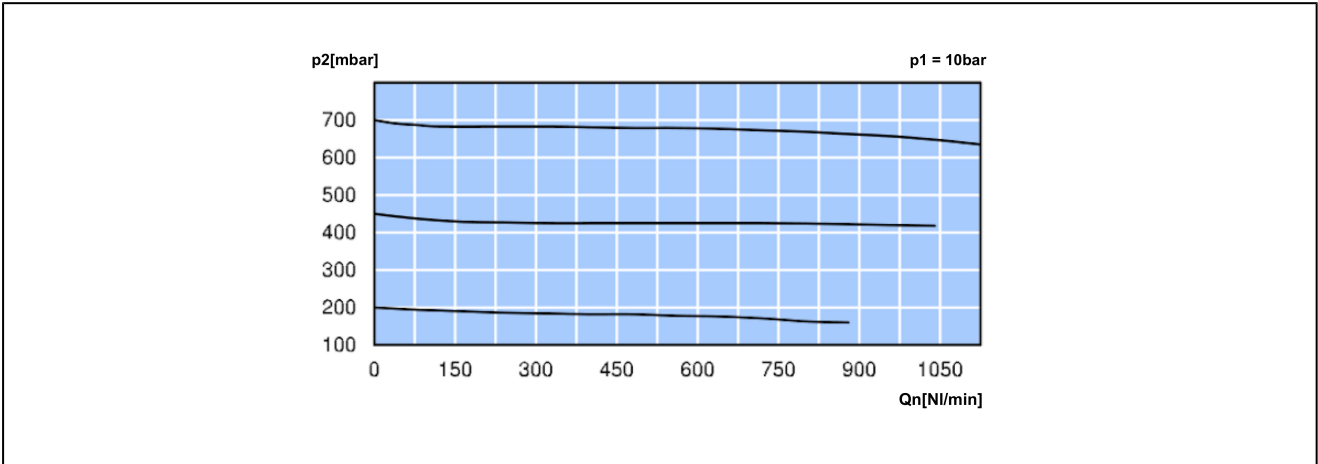
## dimensions



R	A	B	C	operating pressure range [mbar]	flow rate air* [Nl/min]	kv value [m <sup>3</sup> /h water]	weight [app. kg]	type
G1/2"	82	191	40	5...45	1000	1,4	1,45	PR113-12-5/45
G1/2"	82	191	40	10...400	1000	1,4	1,45	PR113-12-10/400
G1/2"	82	191	40	20...1000	1000	1,4	1,45	PR113-12-20/1000
G1/2"	82	191	40	50...1500	1000	1,4	1,45	PR113-12-50/1500

\*flow at an inlet pressure of 6bar and maximum outlet pressure

## flow diagram air, type PR113-12-20/1000



illustrations are non-binding  
all designs, configurations, measurements and materials are subject to change without prior notice