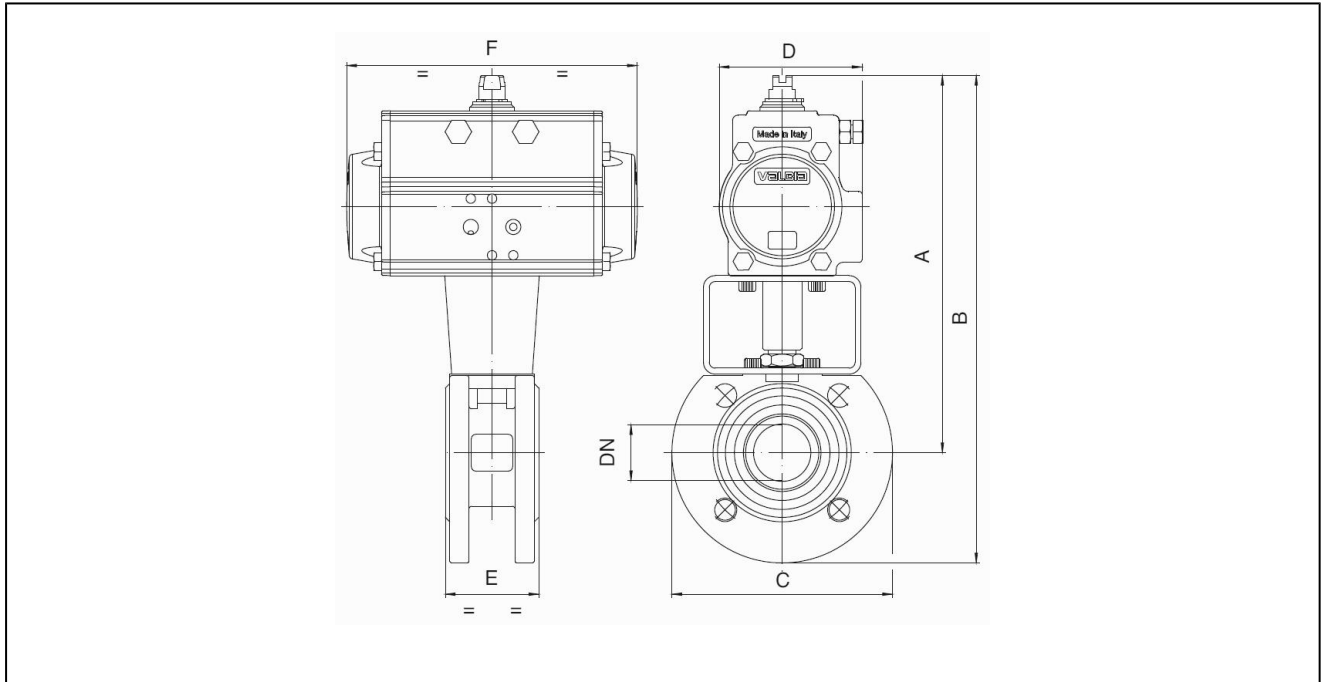


flange ball valve made of stainless steel with pneumatic actuator series BA049



| | |
|-----------------------|---|
| design | actuator: piston actuator with 2 counteracting pistons, elastic sealing, actuator complying with ISO 5211 or rather to NAMUR-references, end position +/-5° adjustable on both sides |
| function | available in double acting or single acting design |
| connection | flange DN15...DN150 according to EN1092 PN16 |
| materials | actuator: hard-anodised aluminum, pinion nickel-plated steel, piston guide POM, seals NBR |
| standard construction | ball valve: body and ball stainless steel AISI 316, seals PTFE/FKM |
| application | gaseous and liquid fluids which do not affect the used materials |
| medium temperature | -20...+160°C |
| ambient temperature | -20...+85°C |
| operating pressure | 0 bar to operating pressure according to the table and pressure-temperature diagram, suitable for rough vacuum |
| control medium | filtered and lubricated or non lubricated compressed air |
| control pressure | 5,5...8bar, adaptation for lower control pressures on request |
| type of fixing | installed into rigid pipework |
| mounting position | any |
| special version | pinion made of stainless steel, ball valve antistatic design ATEX EX II 2G Ex h IIC T6...T1 Gb / II 2D Ex h IIIC T85°C...T450°C Db, actuator ATEX II 2G/D c T6, ambient temperatures of -40...+85°C, respectively -20...+150°C on request |
| accessories | mounted manual, pneumatic or electric control valve electric end position signal, I/P or P/P positioner control of moving speed |
| order information | in case of order please specify control pressure, operating medium and operating pressure |
| direction for use | pressure and temperature values are maximum values for lubricating or not degreasing mediums. in particular degreasing media reduce the indicated values and increase the necessary torque. In border lines we recommend a previous consultation. when selecting the armature, the lowest control pressure in the equipment is taken as the basis |

dimensions



ball valves with double acting pneumatic actuator

| nominal diameter DN[mm] | max. operating pressure [bar] to 85°C | A | B | C | D | E | F | type of actuator | kv value [m ³ /h] | weight [app. kg] | type |
|----------------------------|--|-----|-----|-----|-----|-----|-----|------------------|---------------------------------|---------------------|--------------|
| 15 | 16 | 183 | 228 | 90 | 71 | 35 | 141 | PAD052 | 19,2 | 3,3 | BA049-15-D0 |
| 20 | 16 | 188 | 238 | 100 | 71 | 40 | 141 | PAD052 | 35 | 4,1 | BA049-20-D0 |
| 25 | 16 | 196 | 253 | 115 | 71 | 46 | 141 | PAD052 | 64,5 | 5,6 | BA049-25-D0 |
| 32 | 16 | 200 | 270 | 140 | 71 | 54 | 141 | PAD052 | 103,8 | 6,2 | BA049-32-D0 |
| 40 | 16 | 227 | 302 | 150 | 81 | 64 | 164 | PAD063 | 174 | 9,1 | BA049-40-D0 |
| 50 | 16 | 253 | 336 | 165 | 95 | 82 | 210 | PAD075 | 301,3 | 14,3 | BA049-50-D0 |
| 65 | 16 | 285 | 378 | 185 | 106 | 103 | 241 | PAD085 | 545,7 | 19,6 | BA049-65-D0 |
| 80 | 16 | 292 | 392 | 200 | 106 | 122 | 241 | PAD085 | 872,5 | 27,1 | BA049-80-D0 |
| 100 | 16 | 341 | 451 | 220 | 123 | 152 | 275 | PAD100 | 1363,3 | 48,7 | BA049-100-D0 |
| 125 | 16 | 398 | 523 | 250 | 137 | 196 | 333 | PAD115 | 2360,3 | 73 | BA049-125-D0 |
| 150 | 16 | 435 | 577 | 285 | 148 | 232 | 372 | PAD125 | 3671,1 | 123,8 | BA049-150-D0 |

for ATEX versions, add -A at the end of the type.

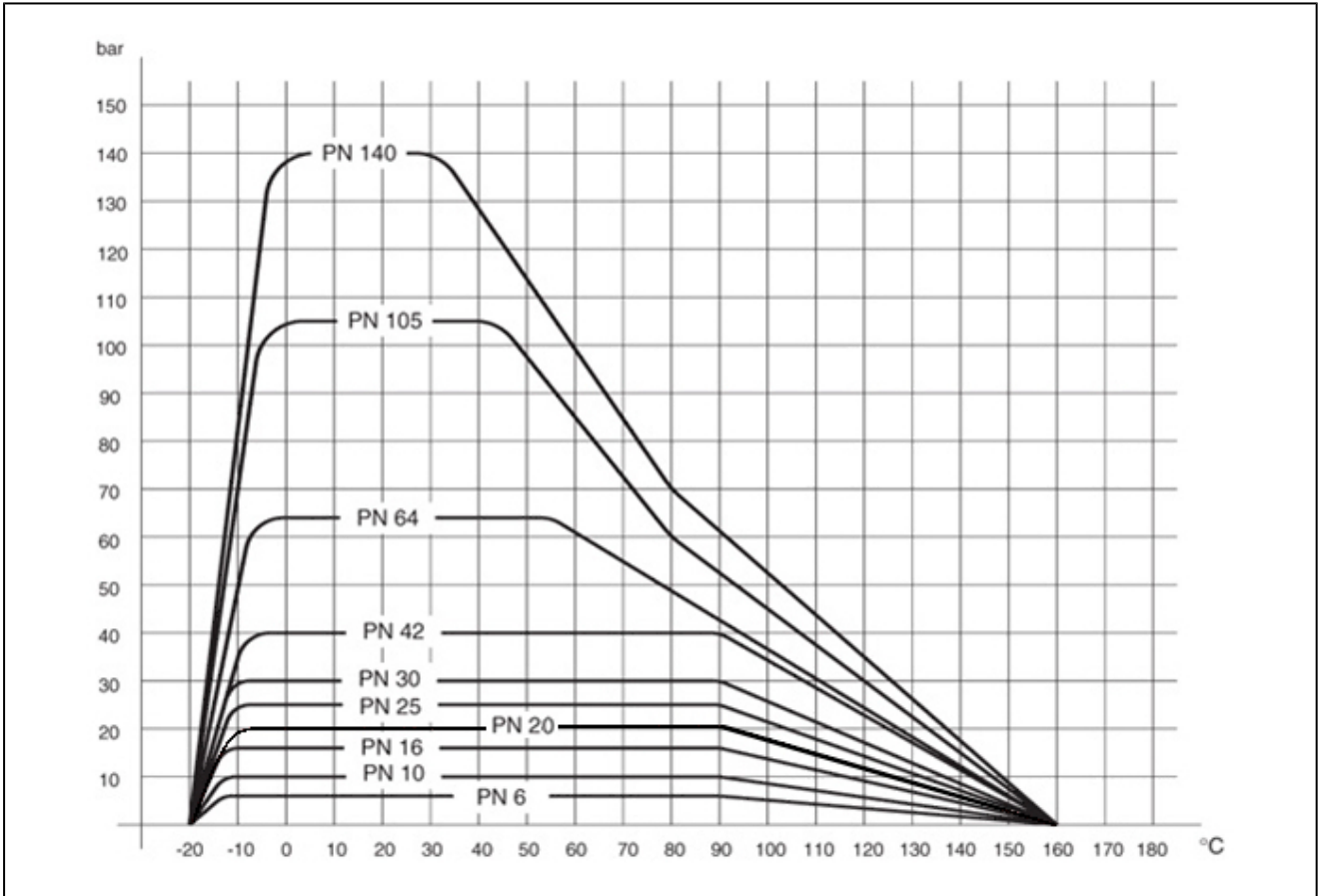
ball valves with single acting pneumatic actuator

| nominal diameter DN[mm] | max. operating pressure [bar] to 85°C | A | B | C | D | E | F | type of actuator | kv value [m ³ /h] | weight [app. kg] | type |
|----------------------------|--|-----|-----|-----|-----|-----|-----|------------------|---------------------------------|---------------------|--------------|
| 15 | 16 | 195 | 239 | 90 | 81 | 35 | 164 | PAS0635 | 19,2 | 3,9 | BA049-15-S0 |
| 20 | 16 | 200 | 250 | 100 | 81 | 40 | 164 | PAS0635 | 35 | 4,1 | BA049-20-S0 |
| 25 | 16 | 207 | 265 | 115 | 81 | 46 | 164 | PAS0635 | 64,5 | 4,9 | BA049-25-S0 |
| 32 | 16 | 244 | 319 | 140 | 106 | 54 | 241 | PAS0855 | 103,8 | 8,9 | BA049-32-S0 |
| 40 | 16 | 259 | 334 | 150 | 106 | 64 | 241 | PAS0855 | 174 | 9,5 | BA049-40-S0 |
| 50 | 16 | 281 | 363 | 165 | 123 | 82 | 275 | PAS1005 | 301,3 | 13,6 | BA049-50-S0 |
| 65 | 16 | 352 | 445 | 185 | 137 | 103 | 333 | PAS1155 | 545,7 | 24,8 | BA049-65-S0 |
| 80 | 16 | 371 | 471 | 200 | 148 | 122 | 372 | PAS1255 | 872,5 | 28,3 | BA049-80-S0 |
| 100 | 16 | 387 | 497 | 220 | 148 | 152 | 372 | PAS1255 | 1363,3 | 35,7 | BA049-100-S0 |
| 125 | 16 | 454 | 581 | 250 | 187 | 196 | 500 | PAS1605 | 2360,3 | 70,5 | BA049-125-S0 |
| 150 | 16 | 538 | 681 | 285 | 217 | 232 | 579 | PAS2005 | 3671,1 | 137,8 | BA049-150-S0 |

single acting actuators are delivered normally closed (NC), if not specified in your order.

for ATEX versions, add -A at the end of the type.

pressure-temperature-diagram



illustrations are non-binding
all designs, configurations, measurements and materials are subject to change without prior notice