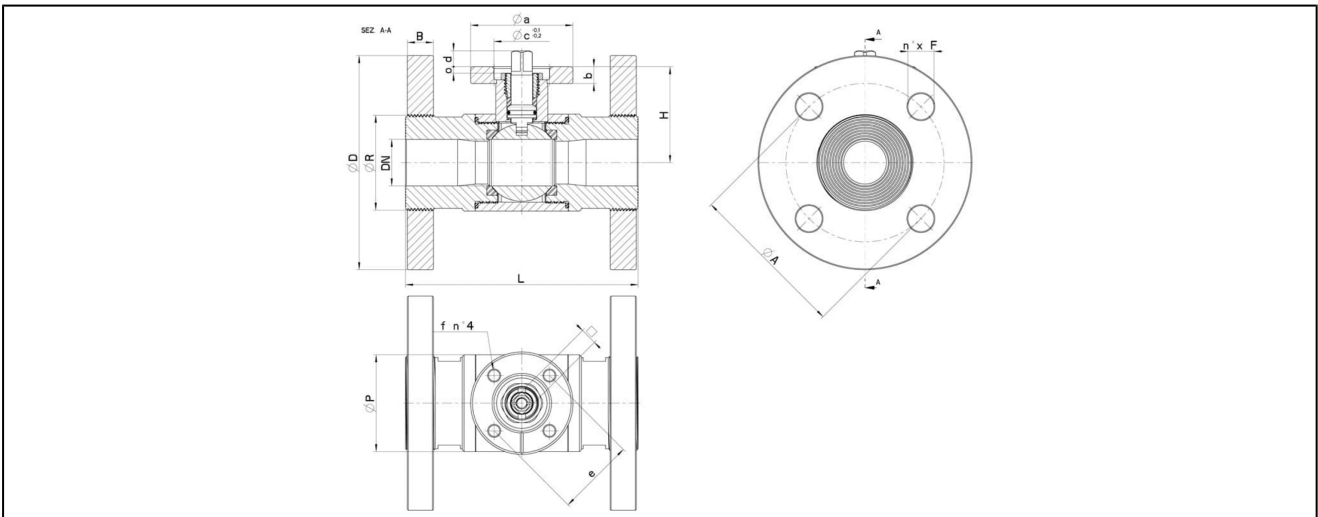


## ball valves made of polished stainless steel series BA272



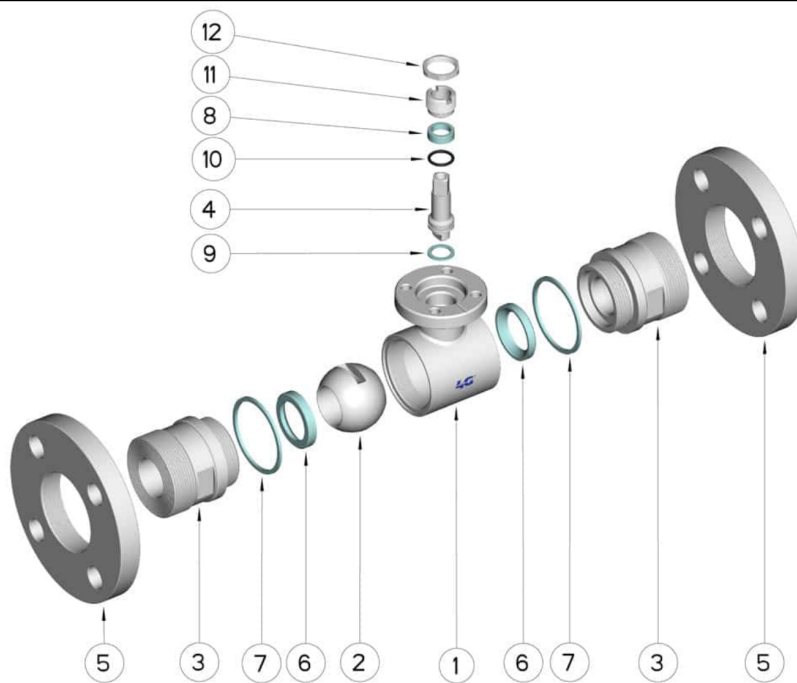
TWO-way ball valve  
 Drive: ISO 5211 – DIN 3337 flange for actuator  
 Connection: Revolving threaded flanges UNI EN 1092-1  
 Flow: Full and reduced  
 Material: Aisi 304L (1.4307) – Aisi 316L (1.4404)  
 Measure: from DN10 to DN125  
 Seals: Modified Virgin P.T.F.E.  
 Operating temperature: -20°C+170°C  
 Outer finish: Polished  
 Screws for mounting actuator included

On request:  
 Antistatic device ATEX II 2 G-D T4 zone 1-21  
 M.O.C.A. CE 1935/2004  
 • Seals made of:  
 PTFE with glass -20°C+170°C  
 PTFE with carbographite -20°C+180°C  
 PTFE with inox -20°C+200°C  
 UHMW High-molecular weight polyethylene -20°C+80°C



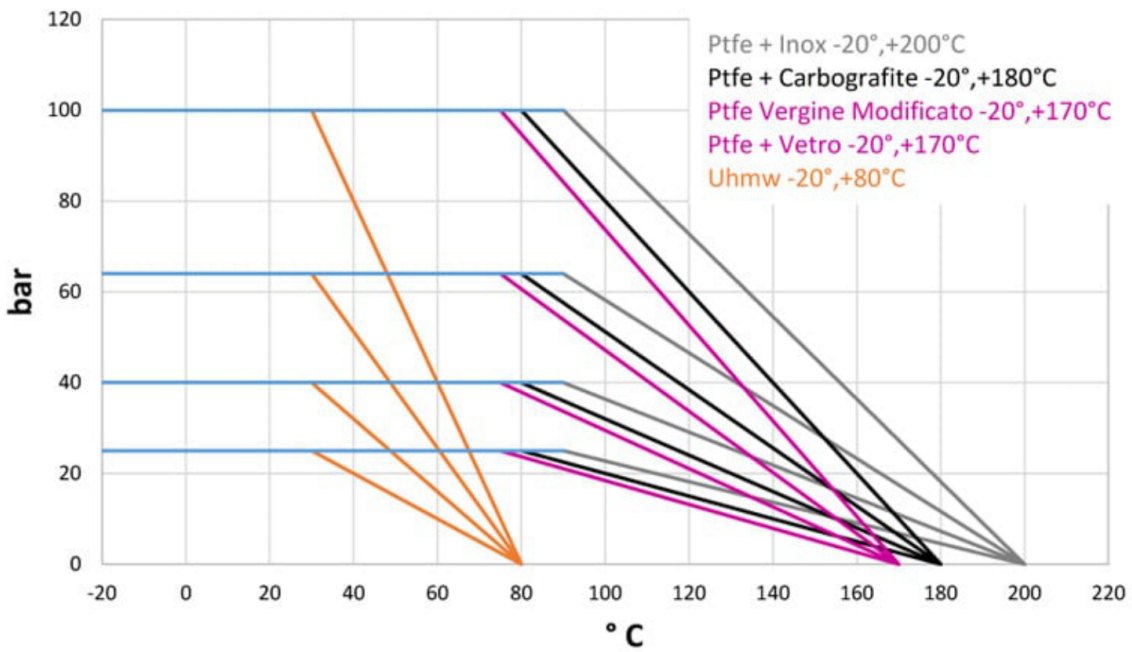
DN	DN	L	H	Ø P	D	B	R	A	n° x F	PN	Kg	ISO-DIN	Ø a	b	Ø c x o	□	d	e	f	n° 4 BOLTS	Nm
10 *	10 *	110	39	30	90	12	30	60	4 x 14	40	1,6	F.03	46	9	25x3	9	8	36	6	M5x16	5
10 *	10 *	110	39	30	90	12	30	60	4 x 14	40	1,65	F.04	54	9	30x3	11	10	42	6	M5x16	5
15 *	15 *	115	41.5	35	95	12	35	65	4 x 14	40	1,8	F.03	46	9	25x3	9	8	36	6	M5x16	8
15 *	15 *	115	41.5	35	95	12	35	65	4 x 14	40	1,83	F.04	54	9	30x3	11	10	42	6	M5x16	8
20 *	20 *	120	45	42	105	14	42	75	4 x 14	40	2,53	F.03	46	9	25x3	9	8	36	6	M5x16	12
20 *	20 *	120	45	42	105	14	42	75	4 x 14	40	2,65	F.04	54	9	30x3	11	10	42	6	M5x16	12
25 *	25 *	125	51.5	52	115	14	51	85	4 x 14	40	3,33	F.04	54	9	30x3	11	10	42	6	M5x16	15
25 *	25 *	125	51.5	52	115	14	51	85	4 x 14	40	3,45	F.05	65	9	35x3	14	13	50	7	M6x16	15
32 *	32 *	130	56.5	60	140	16	63	100	4 x 18	40	4,98	F.04	54	9	30x3	11	10	42	6	M5x16	18
32 *	32 *	130	56.5	60	140	16	63	100	4 x 18	40	5,04	F.05	65	9	35x3	14	13	50	7	M6x16	18
40	40	140	76	73	150	16	75	110	4 x 18	40	6,35	F.05	65	12	35x4	14	13	50	7	M6x20	25
40	40	140	76	73	150	16	75	110	4 x 18	40	6,52	F.07	90	12	55x4	17	15	70	9	M8x20	25
50	50	150	84	88	165	18	89	125	4 x 18	40	8,9	F.05	65	12	35x4	14	13	50	7	M6x20	30
50	50	150	84	88	165	18	89	125	4 x 18	40	9,15	F.07	90	12	55x4	17	15	70	9	M8x20	30
65	65	170	94.5	113	185	18	110	145	4 x 18	16	13,96	F.07	90	12	55x4	17	15	70	9	M8x20	45
65	65	170	94.5	113	185	18	110	145	4 x 18	16	14,46	F.10	125	12	70x4	22	18	102	11	M10x25	45
65	65	170	94.5	113	185	20	110	145	8 x 18	40	13,96	F.07	90	12	55x4	17	15	70	9	M8x20	45
65	65	170	94.5	113	185	20	110	145	8 x 18	40	-	F.10	125	12	70x4	22	18	102	11	M10x25	45
80	80	180	106	135	200	18	120	160	8 x 18	16	16,1	F.07	90	12	55x4	17	15	70	9	M8x20	70
80	80	180	106	135	200	18	120	160	8 x 18	16	16,6	F.10	125	12	70x4	22	18	102	11	M10x25	70
80	80	180	106	135	200	22	120	160	8 x 18	40	17,60	F.07	90	12	55x4	17	15	70	9	M8x20	70
80	80	180	106	135	200	22	120	160	8 x 18	40	-	F.10	125	12	70x4	22	18	102	11	M10x25	70
100	100	190	120	167	220	20	140	180	8 x 18	16	22	F.07	90	12	55x4	17	15	70	9	M8x20	80
100	100	190	120	167	220	20	140	180	8 x 18	16	22,5	F.10	125	12	70x4	22	18	102	11	M10x25	80
100	100	190	120	167	235	22	140	190	8 x 22	25	-	F.07	90	12	55x4	17	15	70	9	M8x20	80
100	100	190	120	167	235	22	140	190	8 x 22	25	-	F.10	125	12	70x4	22	18	102	11	M10x25	80
125 (Reduced)	100	200	120	167	250	22	153	210	8 x 18	16	-	F.07	90	12	55x4	17	15	70	9	M8x20	80
125 (Reduced)	100	200	120	167	250	22	153	210	8 x 18	16	-	F.10	125	12	70x4	22	18	102	11	M10x25	80

\* From DN10 to DN32 inclusive, combine mounting KIT 747500.

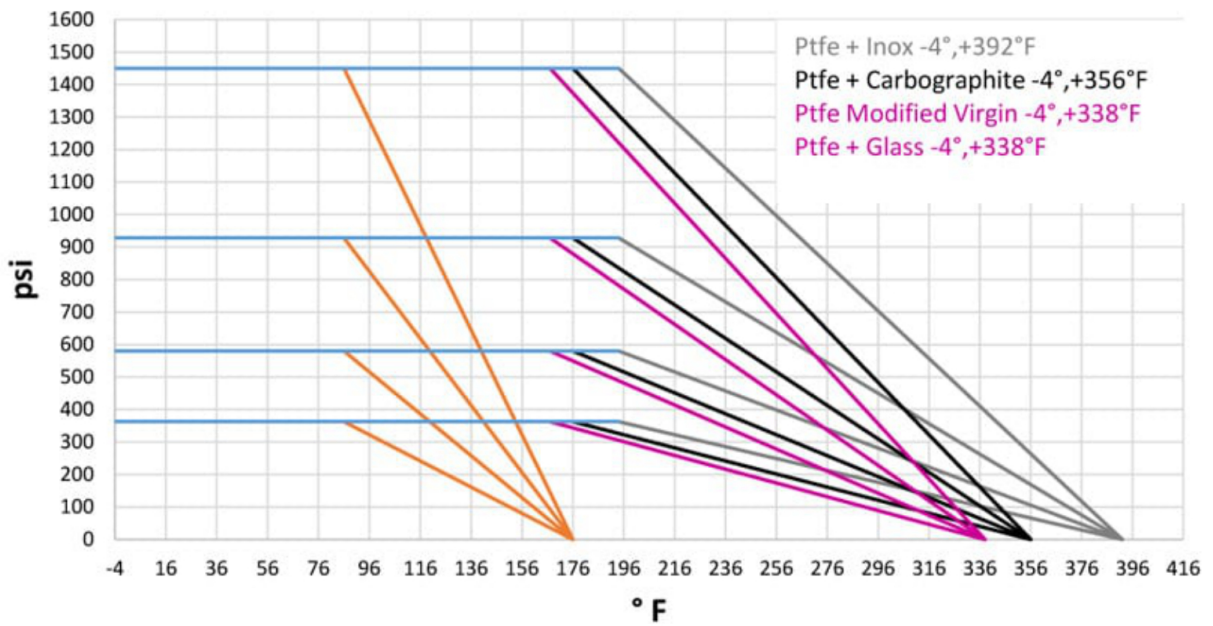


POSITION	DENOMINATION	PIECES	MATERIAL
1	Body	1	AISI (304L) 316L
2	Ball	1	AISI (304L) 316L
3	Sleeves	2	AISI (304L) 316L
4	Stem	1	AISI (304L) 316L
5	Flanges	2	AISI (304L) 316L
6	Ball Seals	2	PTFE Vergine Modificato
7	Sleeve Seals	2	PTFE
8	Stem Seal	1	PTFE
9	Stem Seal	1	PTFE
10	Stem or-Seal	1	FKM
11	Register ring	1	AISI 304L (303)
12	Locknut	1	AISI 303

Diagramma Pressione/Temperatura



Pressure / Temperature Diagram



illustrations are non-binding  
 all designs, configurations, measurements and materials are subject to change without prior notice