

electrical actuator, series J4C

J4C20

Description

Compact actuator to control or regulate valves.
Brushless motor technology.
With a preset working angle of 90°.
Connection according to ISO5211/DIN3337.

Equipped in standard with:

- Emergency override with handwheel
- 2 additional volt free end switches
- Electronic torque limiter
- Automatic interior heater
- Coloured status LED
- Dome position indicator
- Freely adjustable cams (max. 340°)
- Standard 2 point control, 3 point regulation

Technical data

Voltage range: 24-240V DC/AC (50/60 Hz)
Current consumption: 0,16 A - 1,28 A
Working time/90°: 09 s ± 10%
Heater: 3,5 W
Break torque: 25 Nm
Operation torque: 20 Nm
Duty rating [ED]: 75%
Protection class: IP67
Temperature range: -20°C - +70°C
Flange: F03/F04/F05 - F07 via Kit
Stem intake: ⌀ 9 mm, 11 mm, 14 mm (Standard)
 ⌀ 11x16,5 mm
Plugs: EN175301-803 Form A
 Industrial connector form C (9,4mm)
Housing material: Polyamid (PA6)
Endswitches: SPST NO 5A 125V AC / 3A 250V AC
Weight: 1,8 kg



Options

BSR (Battery safety pack)

In case of a power failure, the actuator turns to a predefined safety position (open or close).

Variations: NC, NO

-Combination with: DPS, 3 Positions, Potentiometer, Permanent phase-

DPS (Digital positioning system)

The position of the actuator is controlled by an input signal and provides its actual position as an output signal.

Following signal types are available:
0-10V, 1-10V, 0-20mA, 4-20mA

3 Positions

The actuator has the possibility to drive to a middle position.

Standard: 0°-90°-180°

Permanent phase wiring

The actuator has a permanent power connection and automatically turns to the predetermined position. When the other contact is powered, the actuator turns to the opposite direction.

Variations: NC, NO

Potentiometer

A Potentiometer inside of the actuator gives out its actual position as an ohmic value.

Variations: 1kΩ, 5kΩ, 10kΩ

B-Series (12V version)

The actuator is controlled by a voltage of 12V AC/DC.

-Combination with all options possible-

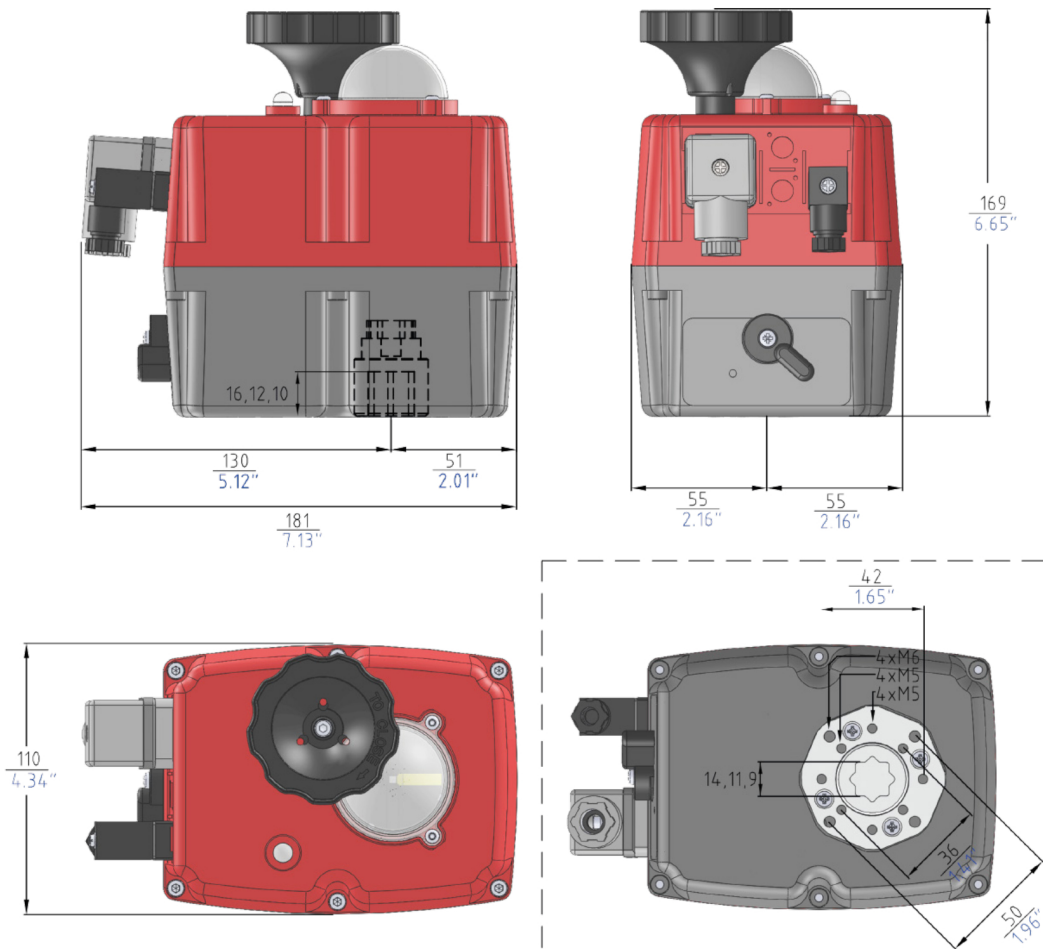
Bluetooth

A Bluetooth module gives the possibility to control and read out via Bluetooth.

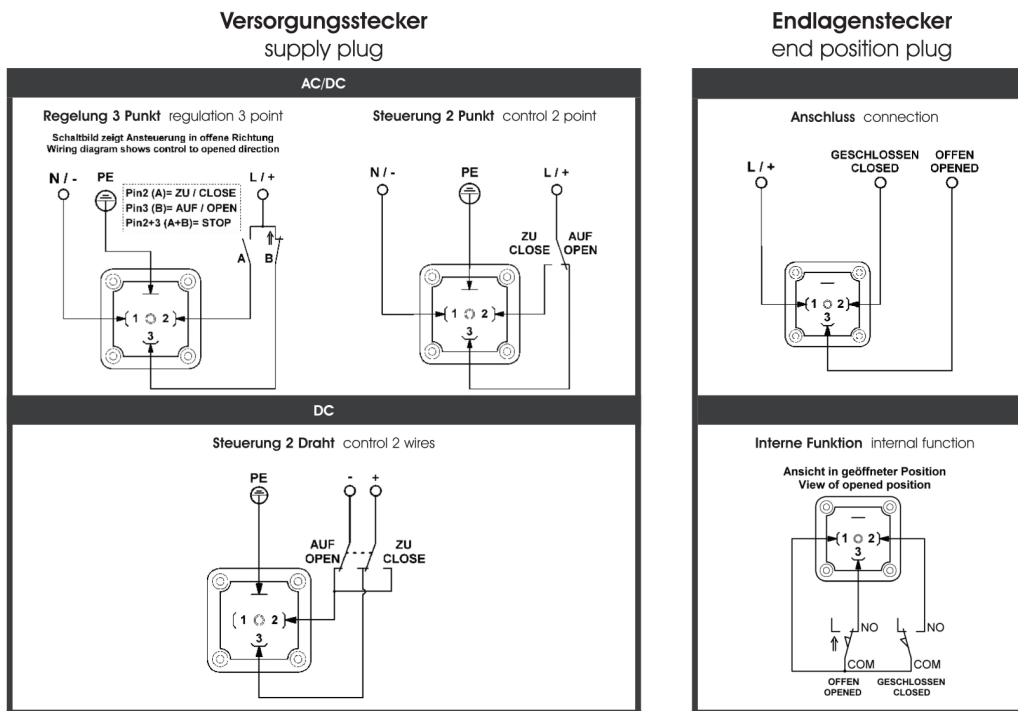
Modbus

A Modbus module gives the possibility to control and read out the actuator via Modbus.

Technical drawing



Wiring diagram



Description

Compact actuator to control or regulate valves.
 Brushless motor technology.
 With a preset working angle of 90°.
 Connection according to ISO5211/DIN3337.

Equipped in standard with:

- Emergency override with handwheel
- 2 additional volt free end switches
- Electronic torque limiter
- Automatic interior heater
- Coloured status LED
- Dome position indicator
- Freely adjustable cams (max. 340°)
- Standard 2 point control, 3 point regulation



Technical data

Voltage range: 24-240V DC/AC (50/60 Hz)
Current consumption: 0,20 A - 1,67 A
Working time/90°: 09 s ± 10%
Heater: 3,5 W
Break torque: 38 Nm
Operation torque: 35 Nm
Duty rating [ED]: 75%
Protection class: IP67
Temperature range: -20°C - +70°C
Flange: F03/F04/F05 - F07 via Kit
Stem intake: ⌀ 9 mm, 11 mm, 14 mm (Standard)
 ⌀ 11x16,5 mm
Plugs: EN175301-803 Form A
 Industrial connector form C (9,4mm)
Housing material: Polyamid (PA6)
Endswitches: SPST NO 5A 125V AC / 3A 250V AC
Weight: 1,9 kg



Options

BSR (Battery safety pack)

In case of a power failure, the actuator turns to a predefined safety position (open or close).

Variations: NC, NO

-Combination with: DPS, 3 Positions, Potentiometer, Permanent phase-

DPS (Digital positioning system)

The position of the actuator is controlled by an input signal and provides its actual position as an output signal.

**Following signal types are available:
 0-10V, 1-10V, 0-20mA, 4-20mA**

3 Positions

The actuator has the possibility to drive to a middle position.

Standard: 0°-90°-180°

Permanent phase wiring

The actuator has a permanent power connection and automatically turns to the predetermined position. When the other contact is powered, the actuator turns to the opposite direction.

Variations: NC, NO

Potentiometer

A Potentiometer inside of the actuator gives out its actual position as an ohmic value.

Variations: 1kΩ, 5kΩ, 10kΩ

B-Series (12V version)

The actuator is controlled by a voltage of 12V AC/DC.

-Combination with all options possible-

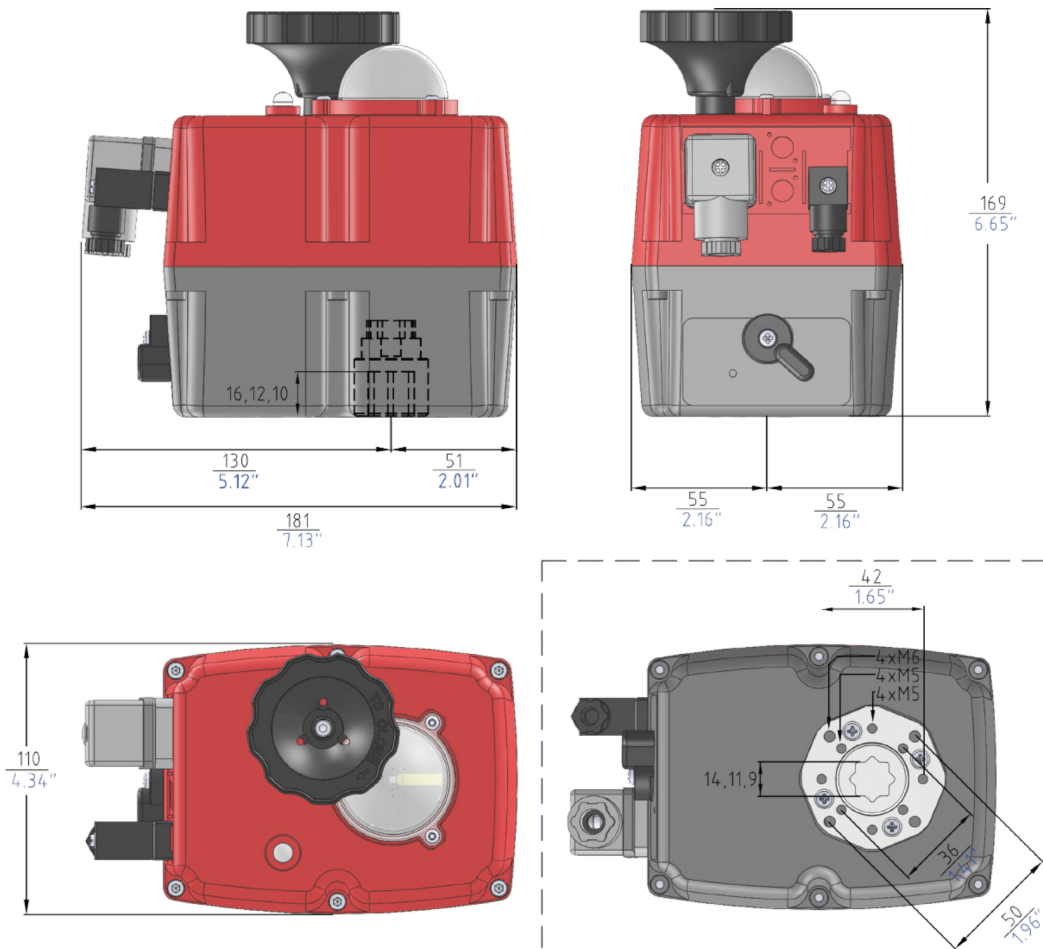
Bluetooth

A Bluetooth module gives the possibility to control and read out via Bluetooth.

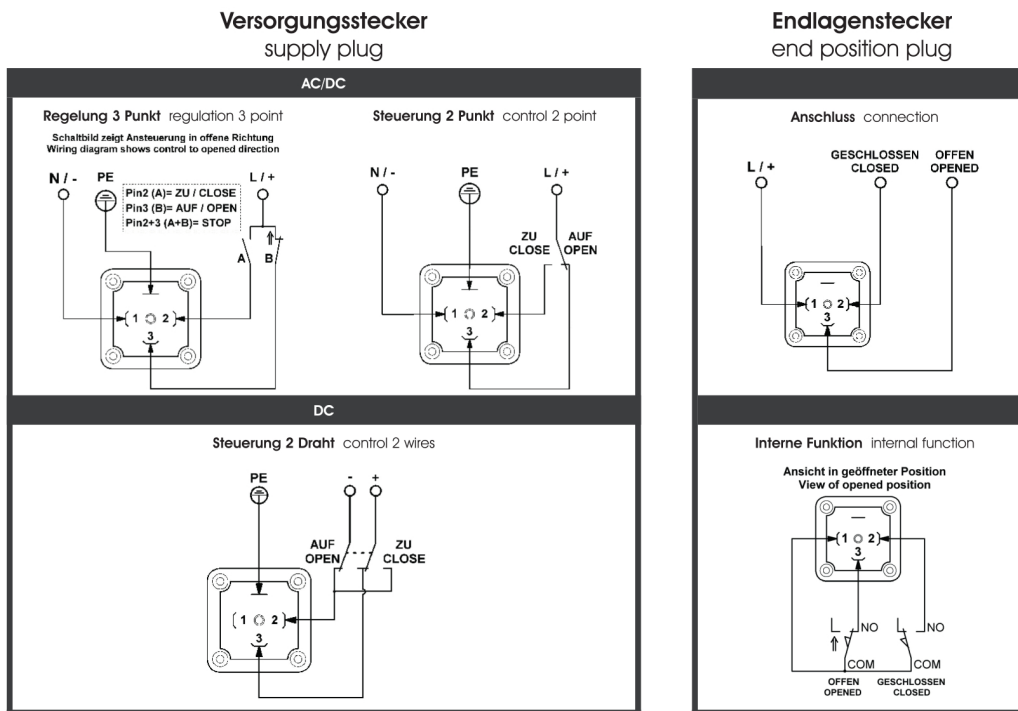
Modbus

A Modbus module gives the possibility to control and read out the actuator via Modbus.

Technical drawing



Wiring diagram



Description

Compact actuator to control or regulate valves.
 Brushless motor technology.
 With a preset working angle of 90°.
 Connection according to ISO5211/DIN3337.

Equipped in standard with:

- Emergency override with handwheel
- 2 additional volt free end switches
- Electronic torque limiter
- Automatic interior heater
- Coloured status LED
- Dome position indicator
- Freely adjustable cams (max. 340°)
- Standard 2 point control, 3 point regulation



Technical data

- Voltage range:** 24-240V DC/AC (50/60 Hz)
- Current consumption:** 0,21 A - 1,98 A
- Working time/90°:** 13 s ± 10%
- Heater:** 3,5 W
- Break torque:** 60 Nm
- Operation torque:** 55 Nm
- Duty rating [ED]:** 75%
- Protection class:** IP67
- Temperature range:** -20°C - +70°C
- Flange:** F05/F07
- Stem intake:** ⌀ 14 mm, 17 mm (Standard)
 □ 11x16,5 mm, 17x22,5 mm
- Plugs:** EN175301-803 Form A
 Industrial connector form C (9,4mm)
- Housing material:** Polyamid (PA6)
- Endswitches:** SPST NO 5A 125V AC / 3A 250V AC
- Weight:** 2,4 kg



Options

BSR (Battery safety pack)

In case of a power failure, the actuator turns to a predefined safety position (open or close).

Variations: NC, NO

-Combination with: DPS, 3 Positions, Potentiometer, Permanent phase-

DPS (Digital positioning system)

The position of the actuator is controlled by an input signal and provides its actual position as an output signal.

**Following signal types are available:
 0-10V, 1-10V, 0-20mA, 4-20mA**

3 Positions

The actuator has the possibility to drive to a middle position.

Standard: 0°-90°-180°

Permanent phase wiring

The actuator has a permanent power connection and automatically turns to the predetermined position. When the other contact is powered, the actuator turns to the opposite direction.

Variations: NC, NO

Potentiometer

A Potentiometer inside of the actuator gives out its actual position as an ohmic value.

Variations: 1kΩ, 5kΩ, 10kΩ

B-Series (12V version)

The actuator is controlled by a voltage of 12V AC/DC.

-Combination with all options possible-

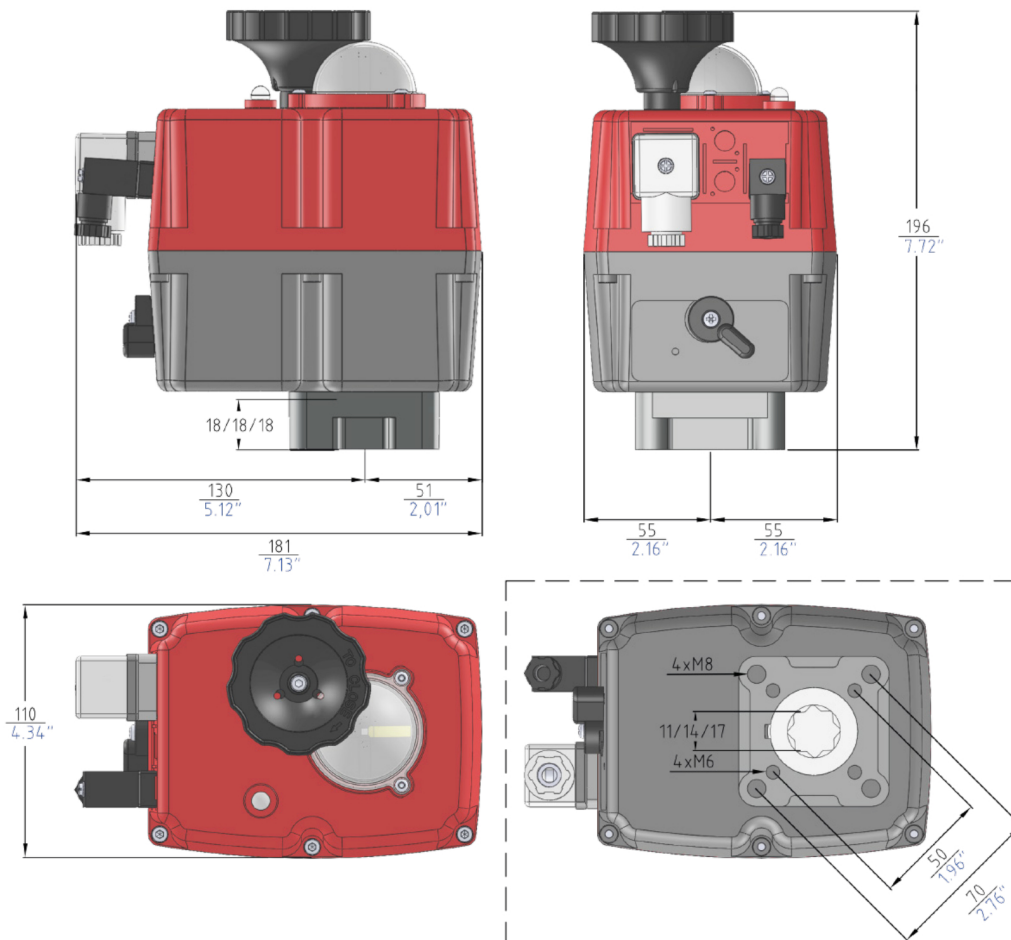
Bluetooth

A Bluetooth module gives the possibility to control and read out via Bluetooth.

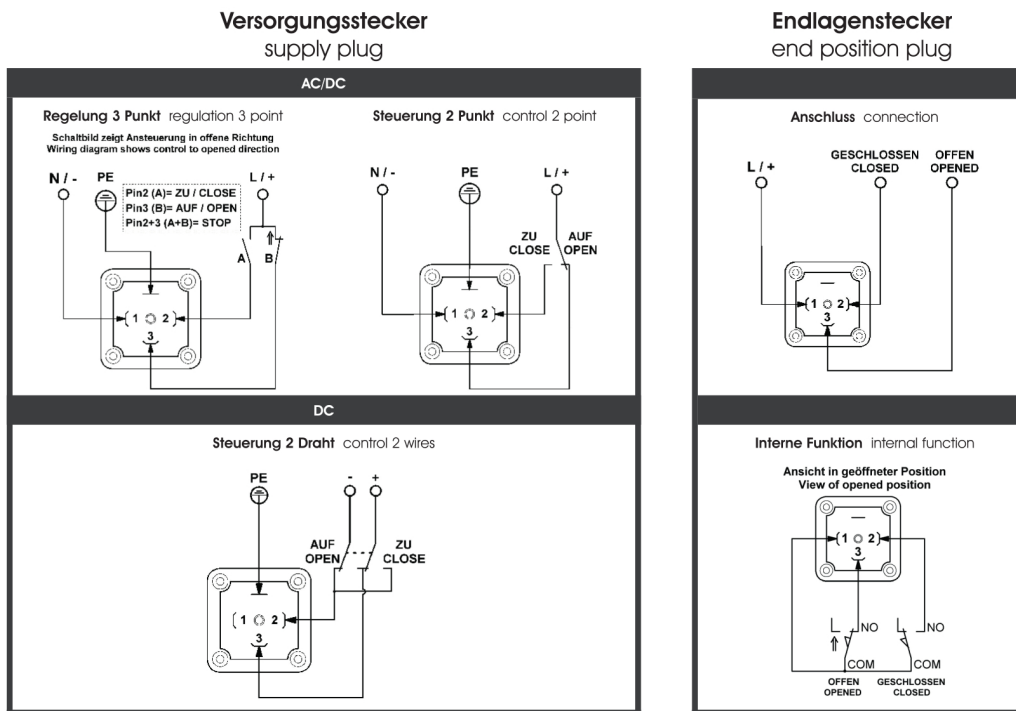
Modbus

A Modbus module gives the possibility to control and read out the actuator via Modbus.

Technical drawing



Wiring diagram



Description

Compact actuator to control or regulate valves.
 Brushless motor technology.
 With a preset working angle of 90°.
 Connection according to ISO5211/DIN3337.

Equipped in standard with:

- Emergency override with handwheel
- 2 additional volt free end switches
- Electronic torque limiter
- Automatic interior heater
- Coloured status LED
- Dome position indicator
- Freely adjustable cams (max. 340°)
- Standard 2 point control, 3 point regulation



Technical data

- Voltage range:** 24-240V DC/AC (50/60 Hz)
- Current consumption:** 0,18 A - 1,50 A
- Working time/90°:** 29 s ± 10%
- Heater:** 3,5 W
- Break torque:** 90 Nm
- Operation torque:** 85 Nm
- Duty rating [ED]:** 75%
- Protection class:** IP67
- Temperature range:** -20°C - +70°C
- Flange:** F05/F07
- Stem intake:** ⌀ 14 mm, 17 mm (Standard)
 ○ 11x16,5 mm, 17x22,5 mm
- Plugs:** EN175301-803 Form A
 Industrial connector form C (9,4mm)
- Housing material:** Polyamid (PA6)
- Endswitches:** SPST NO 5A 125V AC / 3A 250V AC
- Weight:** 3,0 kg



Options

BSR (Battery safety pack)

In case of a power failure, the actuator turns to a predefined safety position (open or close).

Variations: NC, NO

-Combination with: DPS, 3 Positions, Potentiometer, Permanent phase-

DPS (Digital positioning system)

The position of the actuator is controlled by an input signal and provides its actual position as an output signal.

**Following signal types are available:
 0-10V, 1-10V, 0-20mA, 4-20mA**

3 Positions

The actuator has the possibility to drive to a middle position.

Standard: 0°-90°-180°

Permanent phase wiring

The actuator has a permanent power connection and automatically turns to the predetermined position. When the other contact is powered, the actuator turns to the opposite direction.

Variations: NC, NO

Potentiometer

A Potentiometer inside of the actuator gives out its actual position as an ohmic value.

Variations: 1kΩ, 5kΩ, 10kΩ

B-Series (12V version)

The actuator is controlled by a voltage of 12V AC/DC.

-Combination with all options possible-

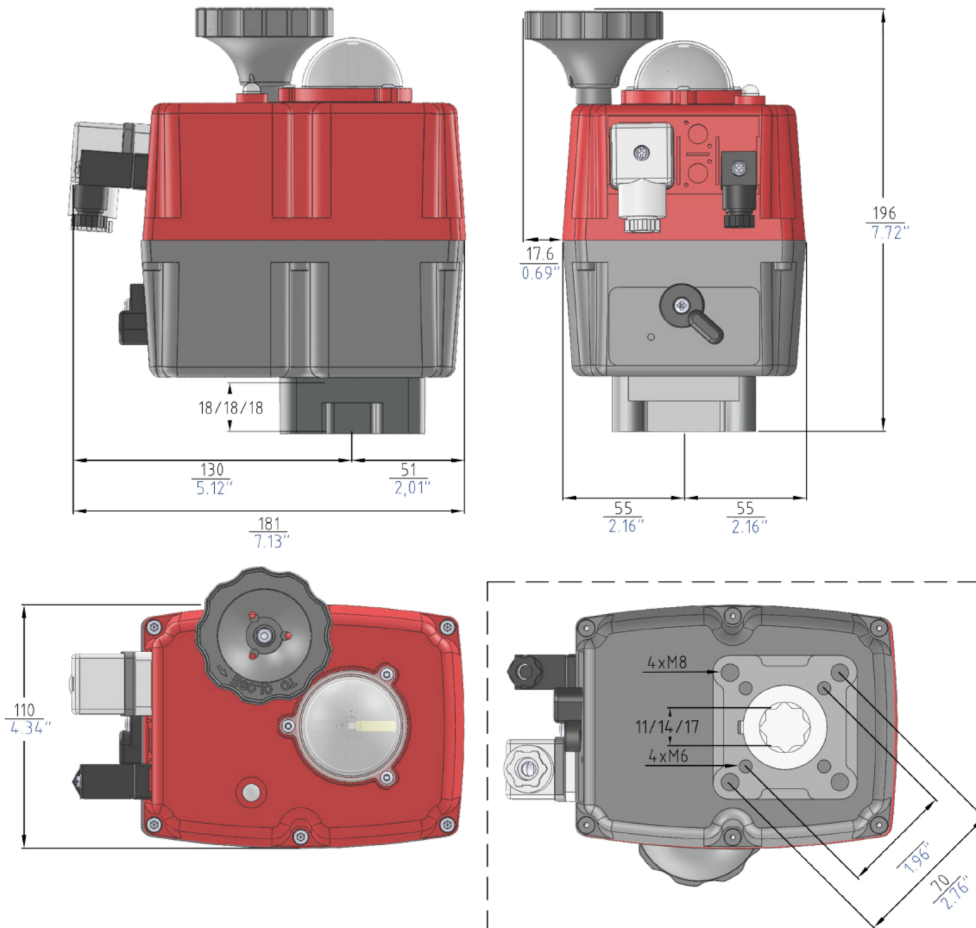
Bluetooth

A Bluetooth module gives the possibility to control and read out via Bluetooth.

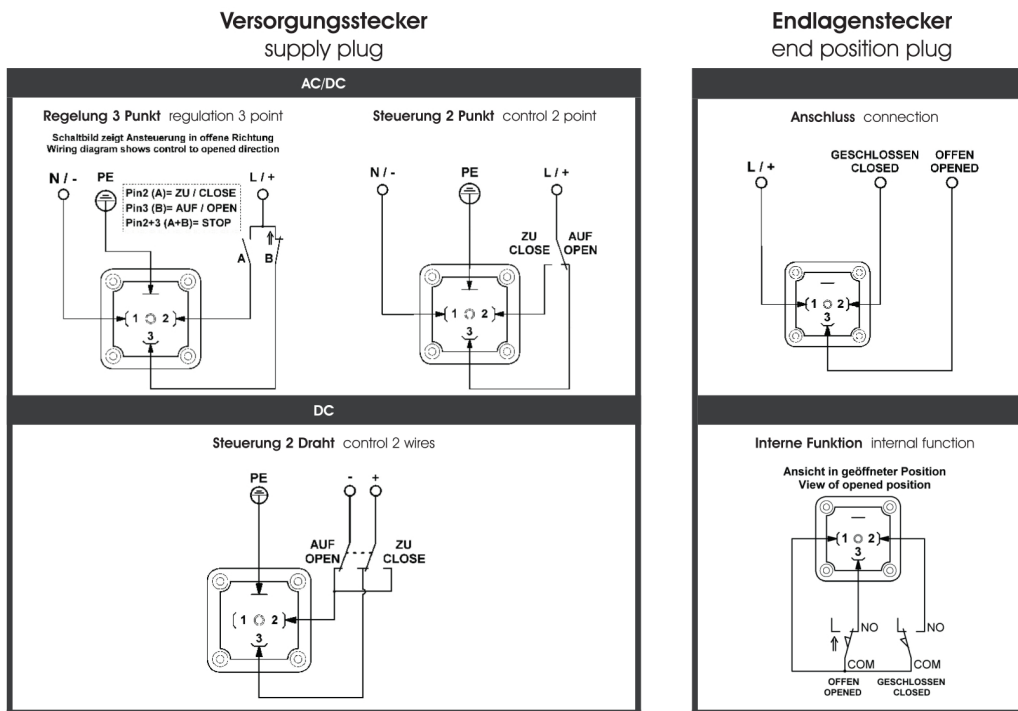
Modbus

A Modbus module gives the possibility to control and read out the actuator via Modbus.

Technical drawing



Wiring diagram



Description

Compact actuator to control or regulate valves.
 Brushless motor technology.
 With a preset working angle of 90°.
 Connection according to ISO5211/DIN3337.

Equipped in standard with:

- Emergency override with handwheel
- 2 additional volt free end switches
- Electronic torque limiter
- Automatic interior heater
- Coloured status LED
- Dome position indicator
- Freely adjustable cams (max. 340°)
- Standard 2 point control, 3 point regulation



Technical data

Voltage range: 24 - 240V DC/AC (50/60 Hz)

Current consumption: 0,44 A - 3,30 A

Working time/90°: 34 s ± 10%

Heater: 3,5 W

Break torque: 170 Nm

Operation torque: 140 Nm

Duty rating [ED]: 75%

Protection class: IP67

Temperature range: -20°C - +70°C

Flange: F07/F10 - F12 via Kit

Stem intake: ⌀ 17 mm, 22 mm (Standard)
 ○ 17x22,5 mm

Plugs: EN175301-803 Form A
 EN175301-803 Form A

Housing material: Polyamid (PA 6)

Endswitches: SPST NO 5A 125V AC / 3A 250V AC

Weight: 5,2 kg



Options

BSR (Battery safety pack)

In case of a power failure, the actuator turns to a predefined safety position (open or close).

Variations: NC, NO

-Combination with: DPS, 3 Positions, Potentiometer, Permanent phase-

DPS (Digital positioning system)

The position of the actuator is controlled by an input signal and provides its actual position as an output signal.

Following signal types are available:
 0-10V, 1-10V, 0-20mA, 4-20mA

3 Positions

The actuator has the possibility to drive to a middle position.

Standard: 0°-90°-180°

Permanent phase wiring

The actuator has a permanent power connection and automatically turns to the predetermined position. When the other contact is powered, the actuator turns to the opposite direction.

Variations: NC, NO

Potentiometer

A Potentiometer inside of the actuator gives out its actual position as an ohmic value.

Variations: 1kΩ, 5kΩ, 10kΩ

B-Series (12V version)

The actuator is controlled by a voltage of 12V AC/DC.

-Combination with all options possible-

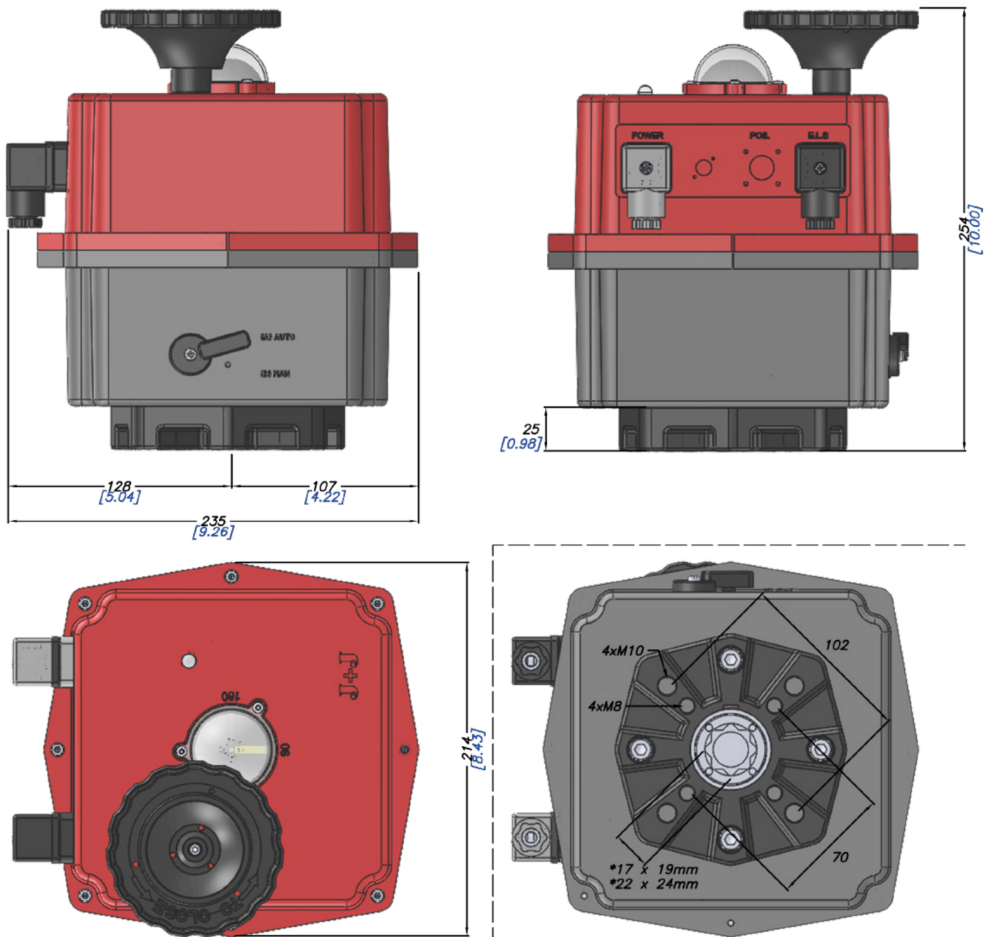
Bluetooth

A Bluetooth module gives the possibility to control and read out via Bluetooth.

Modbus

A Modbus module gives the possibility to control and read out the actuator via Modbus.

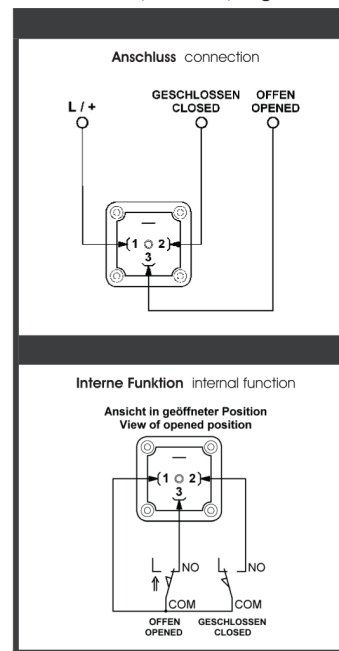
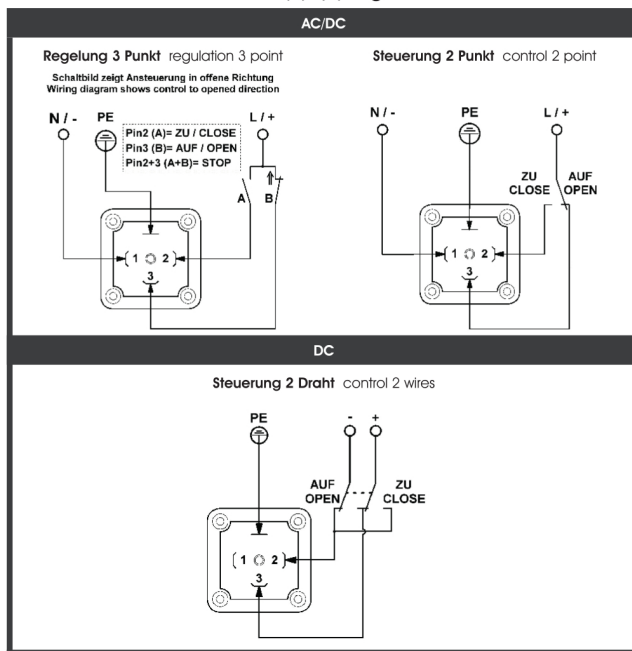
Technical drawing



Wiring diagram

Versorgungsstecker
supply plug

Endlagenstecker
end position plug



Description

Compact actuator to control or regulate valves.
 Brushless motor technology.
 With a preset working angle of 90°.
 Connection according to ISO5211/DIN3337.

Equipped in standard with:

- Emergency override with handwheel
- 2 additional volt free end switches
- Electronic torque limiter
- Automatic interior heater
- Coloured status LED
- Dome position indicator
- Freely adjustable cams (max. 340°)
- Standard 2 point control, 3 point regulation



Technical data

- Voltage range:** 24-240V DC/AC (50/60 Hz)
- Current consumption:** 0,47 A - 3,30 A
- Working time/90°:** 58 s ± 10%
- Heater:** 3,5 W
- Break torque:** 350 Nm
- Operation torque:** 300 Nm
- Duty rating [ED]:** 75%
- Protection class:** IP67
- Temperature range:** -20°C - +70°C
- Flange:** F07/F10 - F12 via Kit
- Stem intake:** ⌀ 17 mm, 22 mm (Standard)
 ○ 17x22,5 mm
- Plugs:** EN175301-803 Form A
 EN175301-803 Form A
- Housing material:** Polyamid (PA 6)
- Endswitches:** SPST NO 5A 125V AC / 3A 250V AC
- Weight:** 5,2 kg



Options

BSR (Battery safety pack)

In case of a power failure, the actuator turns to a predefined safety position (open or close).

Variations: NC, NO

-Combination with: DPS, 3 Positions, Potentiometer, Permanent phase-

DPS (Digital positioning system)

The position of the actuator is controlled by an input signal and provides its actual position as an output signal.

**Following signal types are available:
 0-10V, 1-10V, 0-20mA, 4-20mA**

3 Positions

The actuator has the possibility to drive to a middle position.

Standard: 0°-90°-180°

Permanent phase wiring

The actuator has a permanent power connection and automatically turns to the predetermined position. When the other contact is powered, the actuator turns to the opposite direction.

Variations: NC, NO

Potentiometer

A Potentiometer inside of the actuator gives out its actual position as an ohmic value.

Variations: 1kΩ, 5kΩ, 10kΩ

B-Series (12V version)

The actuator is controlled by a voltage of 12V AC/DC.

-Combination with all options possible-

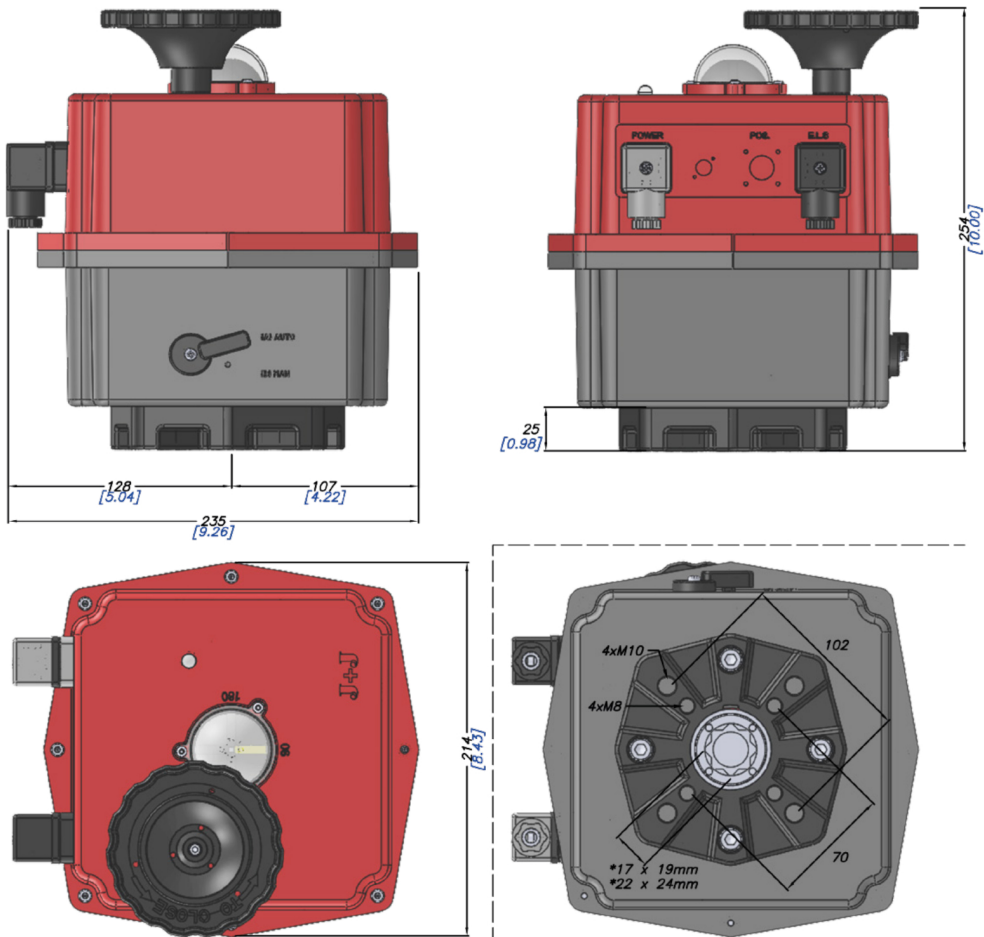
Bluetooth

A Bluetooth module gives the possibility to control and read out via Bluetooth.

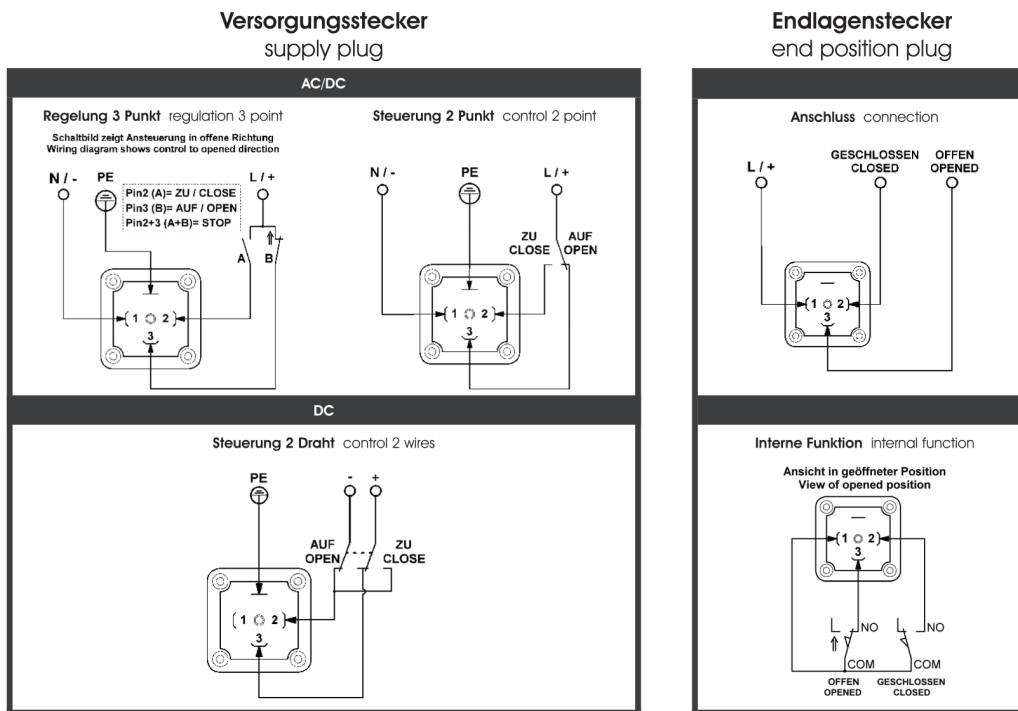
Modbus

A Modbus module gives the possibility to control and read out the actuator via Modbus.

Technical drawing



Wiring diagram



illustrations are non-binding
all designs, configurations, measurements and materials are subject to change without prior notice