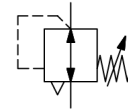


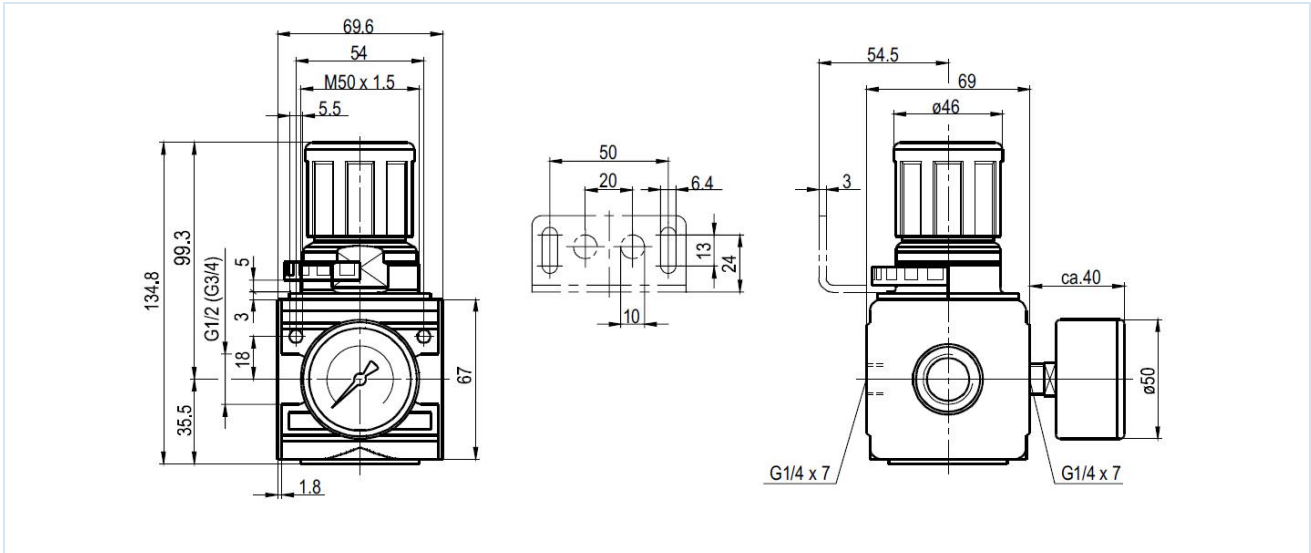
Precision pressure regulator G1/2" Series Modul RE03-PR



Design type	Precision diaphragm pressure regulator with secondary venting and intrinsic air consumption of 2,6Nl/min
Connection	G1/2" according to ISO228/1
Materials	Housing Zinc die casting, Seals NBR, Spring cap POM
Function	Secondary pressure regulation
Locking mechanism	Pressure setting can be locked by pressing in the rotary knob
Mounting position	any
Medium	filtered compressed air
Medium temperature	0...+60°C, (with appropriately conditioned compressed air -10...+60°C)
Ambient temperature	-10...+60°C
Inlet pressure	maximum 16bar
Control ranges	0,1...3/0,2...6 and 0,5...10bar
Flow direction	is marked by an arrow
Scope of delivery	including pressure gauge



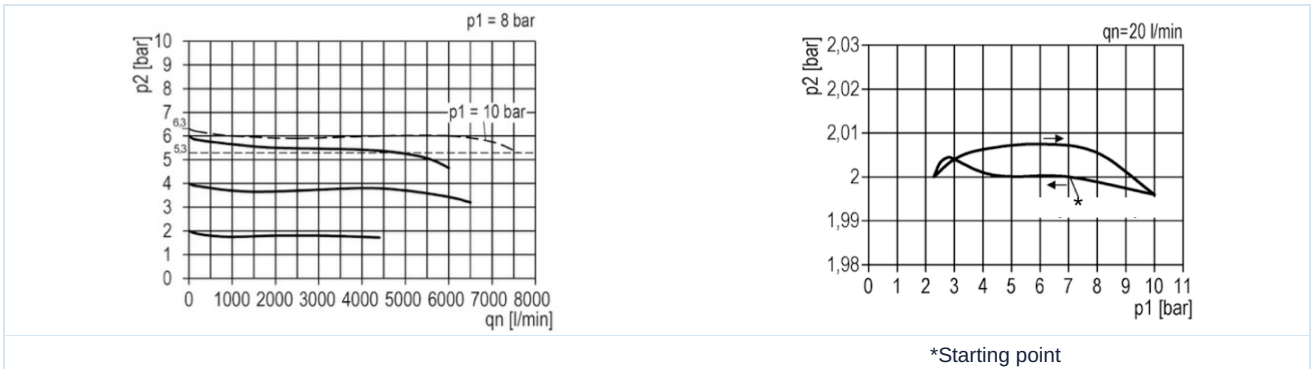
Dimensional drawing



Connection	Flow rate at 6 bar* [Nl/min]	Pressure range [bar]	Type
G1/2"	5500	0,1...3	RE03-12-0,1/3-MA-PR
G1/2"	5500	0,2...6	RE03-12-0,2/6-MA-PR
G1/2"	5500	0,5...10	RE03-12-0,5/10-MA-PR

Flow rate data at an inlet pressure of 8 bar, an outlet pressure of 6 bar and a pressure drop of 1 bar

Flow diagram for control range 0,5...10 bar, Hysteresis



Accessories

Designation	Type
Locknut M50x1,5	MPN03-12/34
Holding angle bracket with nut M50x1,5	MMP03-12/34
Holding angle bracket with 2 screws	MMB03-12/34

Illustrations non-binding

Design, dimensional and material changes reserved

Pneumatics / Regulators, filters and lubricators / Maintenance devices - series Modul / Precision pressure regulator Series Modul RE03-PR / [RE03-12-0,1/3-MA-PR] Precision pressure regulator RE03-12-0,1/3-MA-PR

Version 6

139299 / Generated 2026/23 EN

MADE IN EUROPE

+43 512 52076

austria@stasto.eu

© STASTO Automation KG

www.stasto.com

Open series online

Page 2 / 2

