

# Electrical Position indicator for Pneumatic rotary actuators Size 52 up to 270 Series EBOX05



Design type	The limit switch boxes are equipped with two potential-free microswitches (changeover contact). Each switch is adjustable separately and wired to terminals. The valve position is indicated by an optical position indicator.
Materials	Housing Vestamid, Cover Vestamid, Mounting table Polyamide
Ambient temperature	-20...+60°C

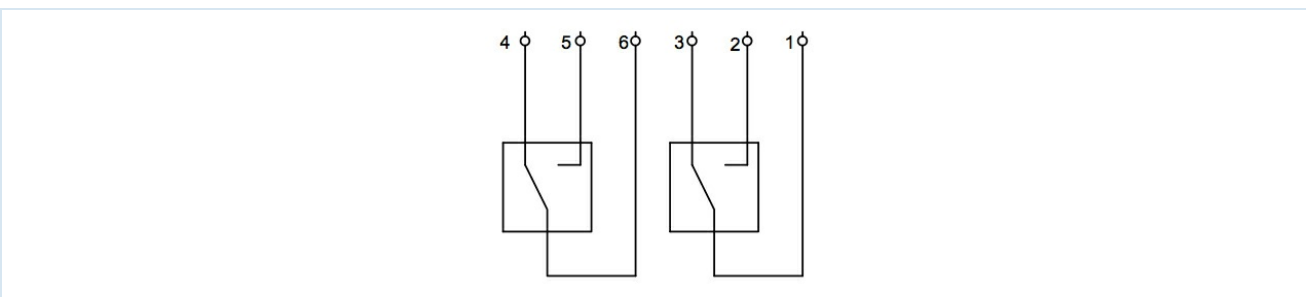
### Electrical data:

Switching capacities	see table "Technical data"
Electrical Connection	via terminals, Cable entry M20x1,5
Degree of protection	IP65 according to EN 60529 with properly installed cable entry (protection against dust ingress and splashing water)
Explosion protection	Housing II 2G Ex db eb IIC T6 Gb - II 3D Ex tc IIIC T80°C Dc, Microswitch II 2G Ex d IIC T6
Scope of delivery	Coupling pin and Mounting table are included in the delivery scope
Adjustment of the microswitches	The switching cams of the microswitches are adjustable after removing the cover and loosening the cam fixing screws. These switching cams must be adjusted so that the respective microswitches are actuated in the open and closed position..

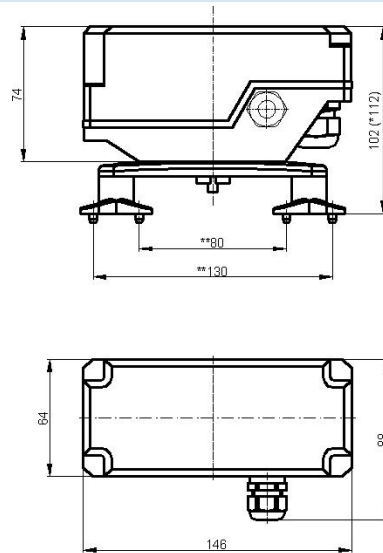
### Technical data

max. switching capacity (Service life 10 <sup>5</sup> Circuits)	Switch type	Contact material	Weight [approx. kg]	Type
4A/250VAC - 1A/24VDC	Crouzet 83 139 1	Silver-nickel	0,3	EBOX05

### Terminal diagram



## Dimensions



Note: \*The dimensions are 10 mm higher for actuators of sizes 115 to 270.  
\*\*The change of the mounting dimensions is achieved by rotating the feet by 180°.

Illustrations non-binding  
Design, dimensional and material changes reserved

Armatures / Ball valves - automatically operated / Accessories / Mounted limit switch box / [EBOX05] EBOX05

