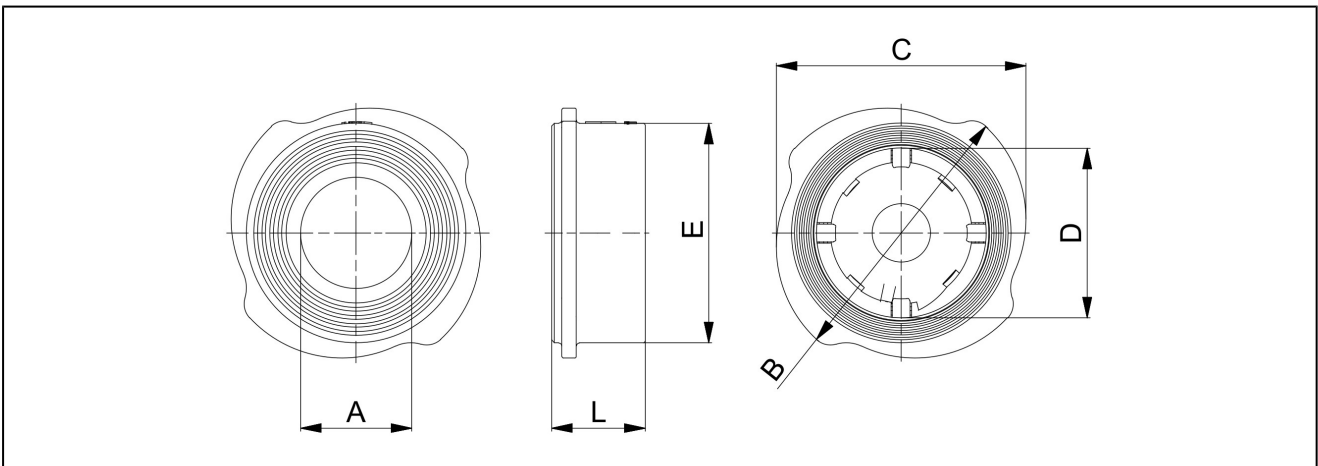


check valve series CH009






design	wafer flange check valve with metal seal, face to face length acc. DIN EN558-1-R49
tightness	according to DIN3230 BN3, for gaseous media we suggest soft seals
connection	flange DN15...DN100 according to EN1092
form of flange	DN15...DN80 PN6-PN40, DN100 PN10-40, DN15...DN100 ANSI 150-300
materials	body stainless steel AISI 316, disc made of stainless steel AISI 316L, spring stainless steel AISI 316
medium temperature	-30...+270°C
operating pressure	max. 52bar up to media temperature 50°C, permissible operating pressure for higher temperatures see pressure-temperature diagram
type of fixing	installed into rigid pipework
mounting position	horizontal or vertical
application	group 1 and 2 liquids and gases acc. to 97/23/EC and which do not affect the used materials.
special versions	soft seals for better tightness

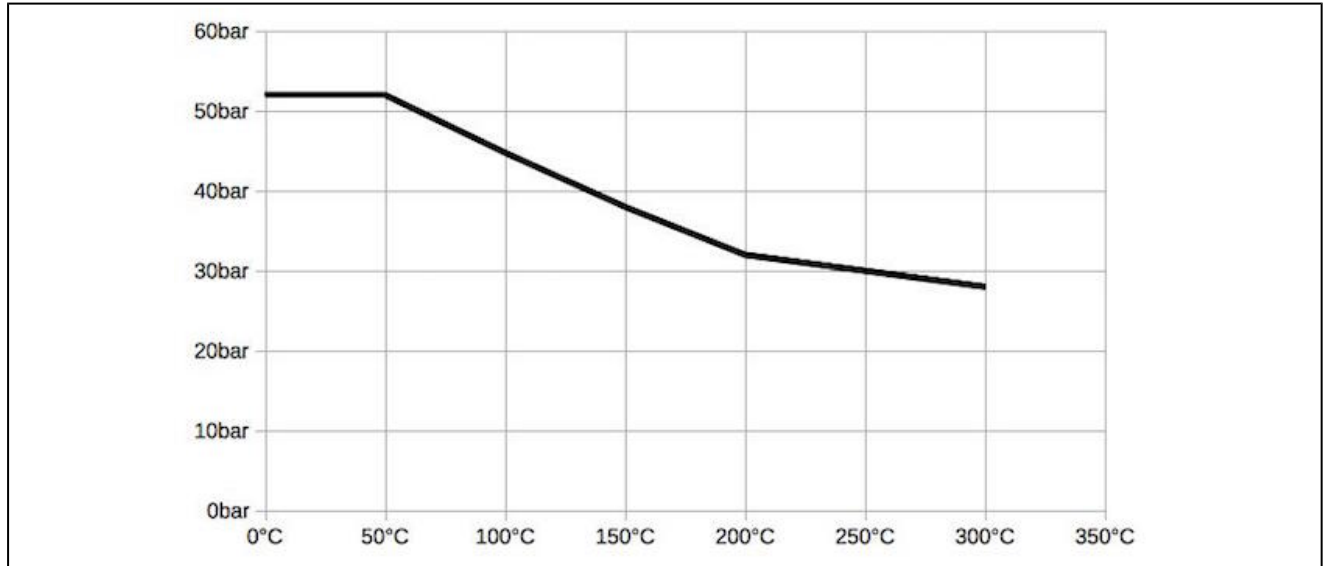


DN[mm]	A	B	C	D	E	L	kv value [m ³ /h]	weight [app. kg]	type
15	14	54	45	23	43	17	3,2	0,11	CH009-15
20	19	64	55	28	48	20	5,3	0,18	CH009-20
25	25	71	65	36	58	22	7,2	0,26	CH009-25
32	31	81	74	50	68	28	16,0	0,40	CH009-32
40	38	93	84	58	75	32	23,0	0,55	CH009-40
50	48	110	98	71	94	40	34,0	1,00	CH009-50
65	62	130	118	86	113	46	52,0	1,50	CH009-65
80	77	149	130	105	129	50	70,0	2,00	CH009-80
100	95	181	162	130	159	60	120,0	3,20	CH009-100

opening pressure in [mbar]

flow direction		DN15	DN20	DN25	DN32	DN40	DN50	DN65	DN80	DN100
	vertical from the bottom up	25	25	25	27	28	30	30	25	21
	horizontal	23	23	23	25	23	24	24	19	15
	vertical top down	21	21	21	22	18	18	18	13	9

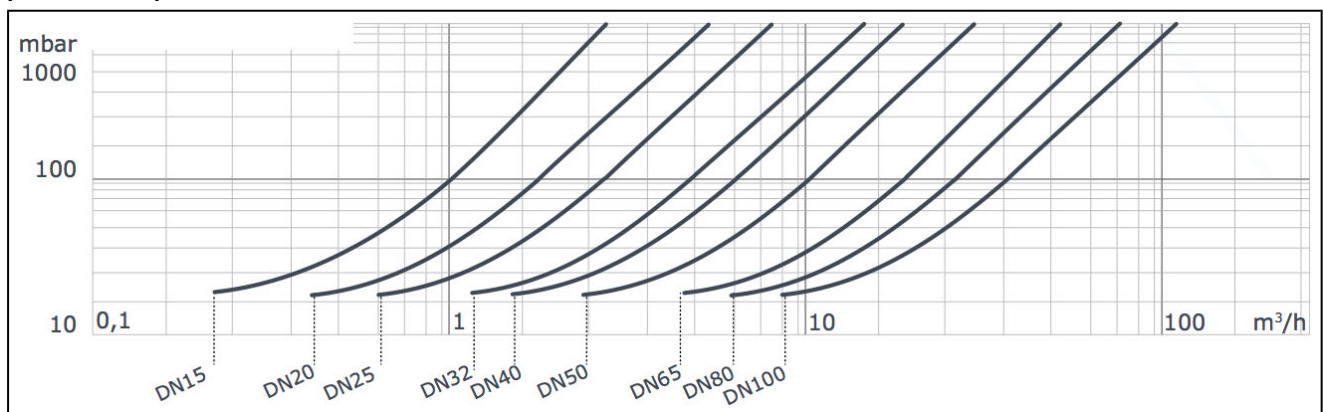
pressure-temperature diagram:



medium temperature soft seal:

seal	temperature range [°C]	application
NBR	-20...+95	neutral gases and liquids
EPDM	-30...+130	hot water, steam, oxygen
FKM	-20...+200	oils and petroils

pressure drop characteristic line for water:



illustrations are non-binding
all designs, configurations, measurements and materials are subject to change without prior notice