

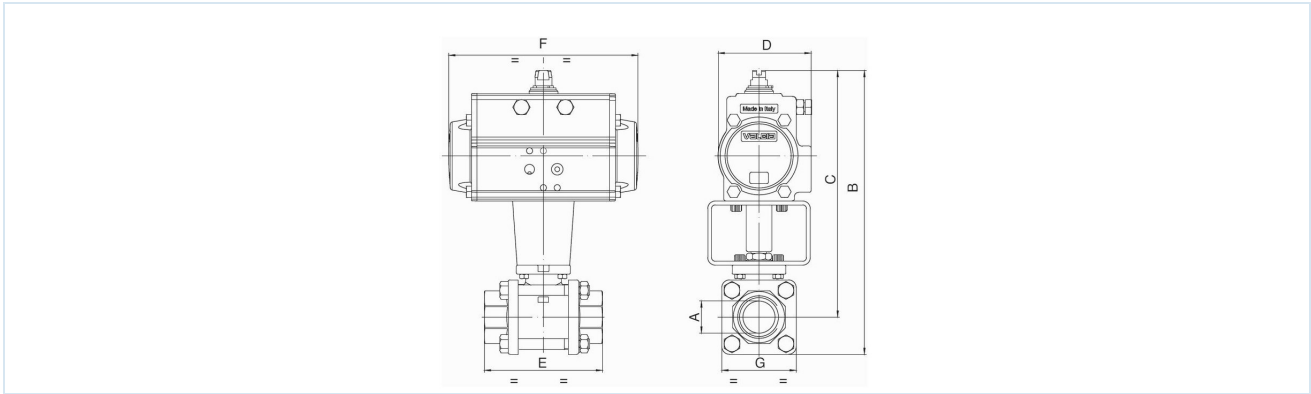
## Stainless steel ball valves with pneumatic rotary actuator, for steam Series BA036



|                               |   |
|-------------------------------|---|
| Design type                   | Actuator: piston actuator with 2 opposed pistons, elastic sealing, actuator in all details in accordance with ISO 5211 or according to NAMUR recommendations, End positions adjustable on both sides +/-5°  |
| Function                      | available in double-acting or single-acting Version   |
| Connection                    | RP1/4"…RP4" according to ISO7/1   |
| Materials<br>Standard version | Actuator: Hard anodized aluminium, Pinion, nickel-plated steel, Piston guide POM, Seals NBR<br>Ball valve: Body and ball stainless steel 1.4401, Ball seal made of graphite-reinforced PTFE, Stem seal made of graphite-reinforced PTFE, Spindle O-ring FKM   |
| Application range             | Steam   |
| Medium temperature            | -20°C…+198°C  |
| Ambient temperature           | -20°C…+85°C   |
| Operating pressure            | Vacuum max. 10 <sup>-3</sup> Torr up to 15bar   |
| Control medium                | filtered and lubricated or non-lubricated compressed air  |
| Control pressure              | 5,5-8bar, Adaptation to lower pilot pressures possible on request   |
| Mounting type                 | Installation in rigid piping system   |
| Mounting position             | any   |
| Special version               | Stainless steel pinion, ATEX, Ambient temperatures from -40°C…+85°C, or rather -20°C…150°C on request   |
| Accessories                   | assembled manual, pneumatic or electric control valve<br>electrical end position feedback, Positioner in I/P or P/P version<br>Adjustment of the switching speed  |
| Ordering note                 | When ordering, please also specify pilot pressure, operating medium, operating pressure and operating temperature.  |
| Application note              | The pressure and temperature specifications are maximum values for normal conditions, for lubricating or non-degreasing media. Degreasing media in particular reduce the specified values and increase the required torque. For these special cases, we recommend prior consultation. When selecting the valve, the lowest control pressure occurring in the system must be taken as the basis. |



## Dimensions



### Ball valves with double-acting rotary actuator

| Connection A | Nominal size DN[mm] | max. operating pressure [bar] | B     | C     | D   | E   | F   | G   | Actuator type | Kv value [m³/h] | Weight [approx. kg] | Type          |
|--------------|---------------------|-------------------------------|-------|-------|-----|-----|-----|-----|---------------|-----------------|---------------------|---------------|
| RP1/4"       | 8                   | 15                            | 128   | 111   | 45  | 57  | 110 | 33  | PAD032        | 5,5             | 0,9                 | BA036-14-D0   |
| RP1/4"       | 8                   | 15                            | 164,5 | 147,5 | 71  | 57  | 141 | 33  | PAD052        | 5,5             | 1,7                 | BA036-14-D0B* |
| RP3/8"       | 10                  | 15                            | 128   | 111   | 45  | 57  | 110 | 33  | PAD032        | 8,5             | 0,9                 | BA036-38-D0   |
| RP3/8"       | 10                  | 15                            | 164,5 | 147,5 | 71  | 57  | 141 | 33  | PAD052        | 8,5             | 1,7                 | BA036-38-D0B* |
| RP1/2"       | 15                  | 15                            | 135   | 116   | 45  | 65  | 110 | 38  | PAD032        | 19,2            | 1,0                 | BA036-12-D0   |
| RP1/2"       | 15                  | 15                            | 171,5 | 152,5 | 71  | 65  | 141 | 38  | PAD052        | 19,2            | 1,8                 | BA036-12-D0B* |
| RP3/4"       | 20                  | 15                            | 212   | 188   | 71  | 76  | 141 | 47  | PAD052        | 35              | 2,1                 | BA036-34-D0   |
| RP1"         | 25                  | 15                            | 222   | 193   | 71  | 92  | 141 | 58  | PAD052        | 64,5            | 2,7                 | BA036-10-D0   |
| RP1 1/4"     | 32                  | 15                            | 230   | 197   | 71  | 106 | 141 | 67  | PAD052        | 103,8           | 3,2                 | BA036-114-D0  |
| RP1 1/2"     | 40                  | 15                            | 267   | 229   | 81  | 116 | 164 | 76  | PAD063        | 174             | 4,7                 | BA036-112-D0  |
| RP2"         | 50                  | 15                            | 298   | 253   | 95  | 136 | 210 | 90  | PAD075        | 301,3           | 6,9                 | BA036-20-D0   |
| RP2 1/2"     | 65                  | 15                            | 348   | 281   | 106 | 153 | 241 | 134 | PAD085        | 545,7           | 13,1                | BA036-212-D0  |
| RP3"         | 80                  | 15                            | 373   | 292   | 106 | 180 | 241 | 161 | PAD085        | 872,5           | 19,6                | BA036-30-D0   |
| RP4"         | 100                 | 15                            | 436   | 341   | 123 | 217 | 275 | 190 | PAD100        | 1363,3          | 29,7                | BA036-40-D0   |

\*With the suffix B, the ball valves are equipped with the PAD052 actuator. When using limit switch boxes and NAMUR control valves, B types must be used.

### Ball valves with single-acting rotary actuator

| Connection A | Nominal size DN[mm] | max. operating pressure [bar] | B   | C   | D   | E   | F   | G   | Actuator type | Kv value [m³/h] | Weight [approx. kg] | Type         |
|--------------|---------------------|-------------------------------|-----|-----|-----|-----|-----|-----|---------------|-----------------|---------------------|--------------|
| RP1/4"       | 8                   | 15                            | 164 | 148 | 71  | 57  | 141 | 33  | PAS0525       | 5,5             | 2,0                 | BA036-14-S0  |
| RP3/8"       | 10                  | 15                            | 164 | 148 | 71  | 57  | 141 | 33  | PAS0525       | 8,5             | 2,0                 | BA036-38-S0  |
| RP1/2"       | 15                  | 15                            | 171 | 152 | 71  | 65  | 141 | 38  | PAS0525       | 19,2            | 2,1                 | BA036-12-S0  |
| RP3/4"       | 20                  | 15                            | 224 | 200 | 81  | 76  | 164 | 47  | PAS0635       | 35              | 3,1                 | BA036-34-S0  |
| RP1"         | 25                  | 15                            | 234 | 205 | 81  | 92  | 164 | 58  | PAS0635       | 64,5            | 3,7                 | BA036-10-S0  |
| RP1 1/4"     | 32                  | 15                            | 242 | 209 | 81  | 106 | 164 | 67  | PAS0635       | 103,8           | 4,3                 | BA036-114-S0 |
| RP1 1/2"     | 40                  | 15                            | 299 | 261 | 106 | 116 | 241 | 76  | PAS0855       | 174             | 7,8                 | BA036-112-S0 |
| RP2"         | 50                  | 15                            | 326 | 281 | 123 | 136 | 275 | 90  | PAS1005       | 301,3           | 12,0                | BA036-20-S0  |
| RP2 1/2"     | 65                  | 15                            | 415 | 348 | 137 | 153 | 333 | 134 | PAS1155       | 545,7           | 23,7                | BA036-212-S0 |
| RP3"         | 80                  | 15                            | 452 | 371 | 148 | 180 | 372 | 161 | PAS1255       | 872,5           | 28,3                | BA036-30-S0  |
| RP4"         | 100                 | 15                            | 482 | 387 | 148 | 217 | 372 | 190 | PAS1255       | 1363,3          | 37,2                | BA036-40-S0  |

Single-acting actuators are supplied spring-closing (NC) unless otherwise ordered.

Illustrations non-binding

Version 4

139453 / Generated 2026/23 EN

MADE IN EUROPE

+43 512 52076

austria@stasto.eu

© STASTO Automation KG

www.stasto.com

Open series online

Page 2 / 3



