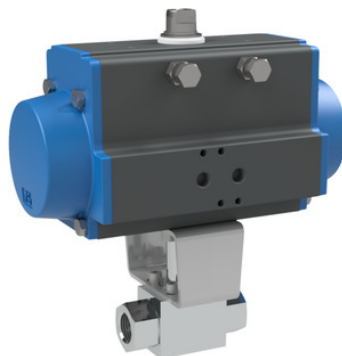


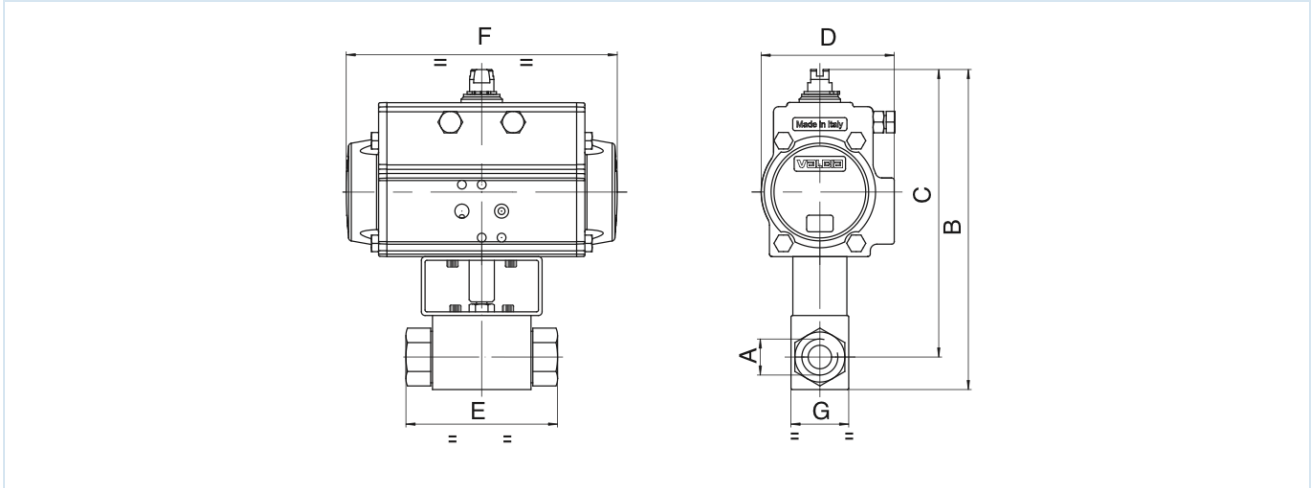
Stainless steel ball valves with pneumatic rotary actuator Series BA234, BA102



Design type	Actuator: piston actuator with 2 opposed pistons, elastic sealing, actuator in all details in accordance with ISO 5211 or according to NAMUR recommendations, End positions adjustable on both sides +/-5° Ball valve: Shut-off valve with floating ball
Function	available in double-acting or single-acting Version
Connection	G3/8" ... G1 1/2"
Materials Standard version	Actuator: Hard anodized aluminium, Pinion, nickel-plated steel, Piston guide POM, Seals NBR Ball valve: Housing, Ball 1.4571/1.4404, Seals BA234: POM/NBR Seals BA102: POM/FKM
Application range	Fluids of group 2 according to PED 2014/68/EU that do not attack the materials used.
Medium temperature	BA234 -30...+100°C, BA102 -20...+100°C
Ambient temperature	-10...+85°C
Operating pressure	Nominal pressure according to table up to 80°C, above 80°C 11% Pressure reduction
Control medium	filtered and lubricated or non-lubricated compressed air
Control pressure	5,5...8bar, Adaptation to lower pilot pressures possible on request
Mounting type	Installation in rigid piping system
Mounting position	any
Special version	Stainless steel pinion, Seals made of PTFE, PEEK, ATEX, Ambient temperature from -20...+150°C on request
Accessories	assembled manual, pneumatic or electric control valve electrical end position feedback, Positioner in I/P or P/P version Adjustment of the switching speed
Ordering note	When ordering, please also specify pilot pressure, operating medium, operating pressure and operating temperature.
Application note	The pressure and temperature specifications are maximum values for normal conditions, for lubricating or non-degreasing media. Degreasing media in particular reduce the specified values and increase the required torque. For these special cases, we recommend prior consultation. When selecting the valve, the lowest control pressure occurring in the system must be taken as the basis.



Dimensions



Ball valves with double-acting rotary actuator

Connection A	Nominal size DN[mm]	max. operating pressure [bar]	B	C	D	E	F	G	Actuator type	Weight [approx. kg]	Type
G3/8"	10	500	201	183,5	80,5	72	164	32	PAD063	2,5	BA...-38-D0
G1/2"	13	500	221	202	94,5	83	210	35	PAD075	3,7	BA...-12-D0
G3/4"	20	420	262	237,5	106	95	240,5	49	PAD085	5,8	BA...-34-D0
G1"	25	350	270	240,5	106	113	240,5	58	PAD085	6,5	BA...-10-D0
G11/4"	25	350	270	240,5	106	120	240,5	58	PAD085	6,7	BA...-114-D0
G11/2"	25	350	270	240,5	106	130	240,5	58	PAD085	7,0	BA...-112-D0

Ball valves with single-acting rotary actuator

Connection A	Nominal size DN[mm]	max. operating pressure [bar]	B	C	D	E	F	G	Actuator type	Weight [approx. kg]	Type
G3/8"	10	500	256	238,5	123	72	275	32	PAS1005	8,0	BA...-38-S0
G1/2"	13	500	258	239	123	83	275	35	PAS1005	8,1	BA...-12-S0
G3/4"	20	420	321,5	297	148	95	372	49	PAS1255	16,10	BA...-34-S0
G1"	25	350	329,5	300	148	113	372	58	PAS1255	16,8	BA...-10-S0
G11/4"	25	350	329,5	300	148	120	372	58	PAS1255	16,9	BA...-114-S0
G11/2"	25	350	329,5	300	148	130	372	58	PAS1255	17,2	BA...-112-S0

Single-acting actuators are supplied spring-closing (NC) unless otherwise ordered.

Illustrations non-binding

Design, dimensional and material changes reserved

Armatures / Ball valves - automatically operated / Ball valves for high pressure - pneumatically operated / Ball valve with pneumatic actuator Series BA102

