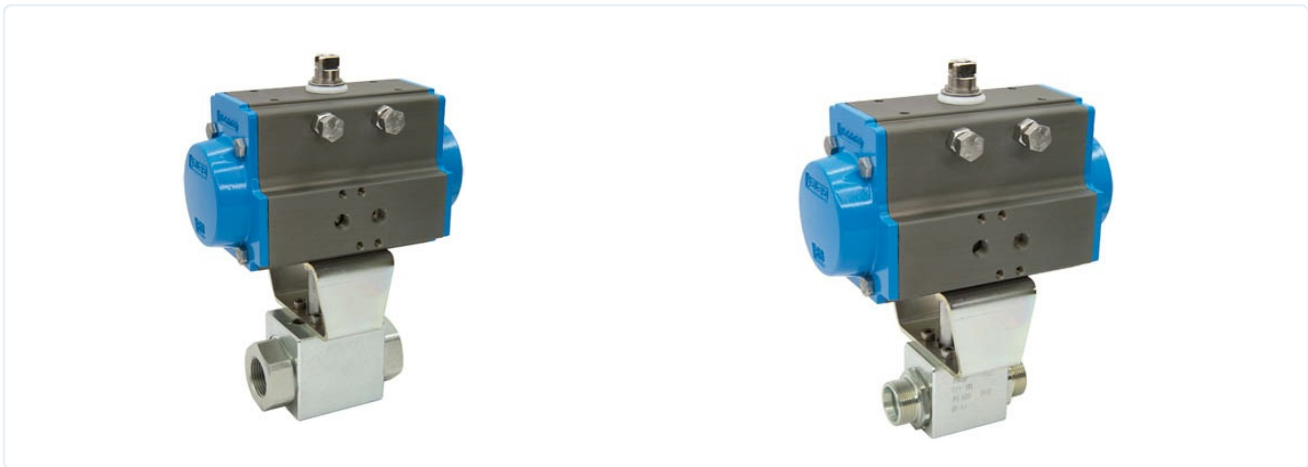


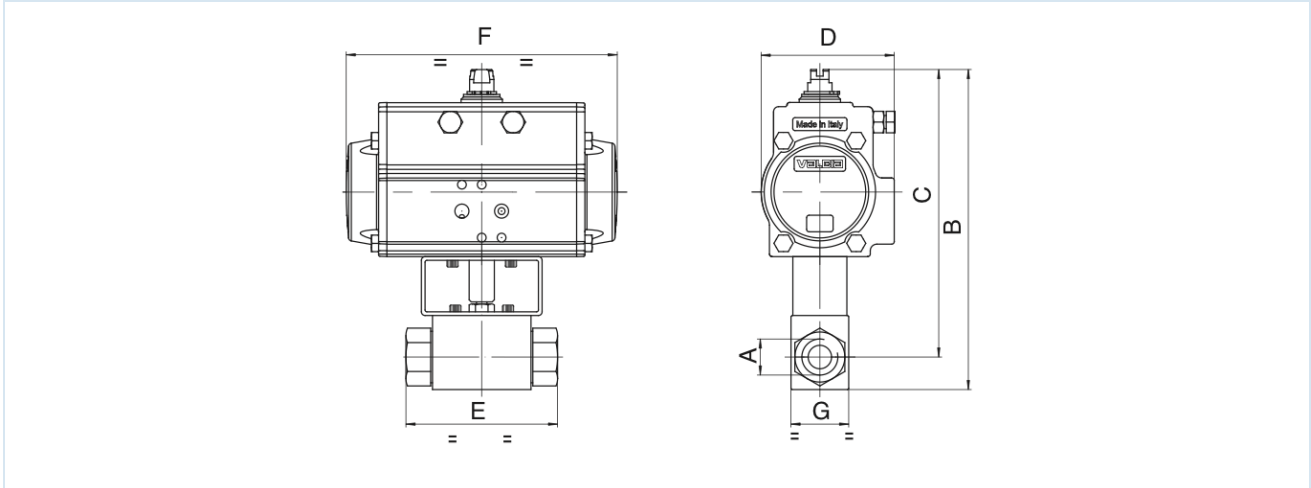
Steel ball valves with pneumatic rotary actuator Series BA233



| | |
|-------------------------------|---|
| Design type | Actuator: piston actuator with 2 opposed pistons, elastic sealing, actuator in all details in accordance with ISO 5211 or according to NAMUR recommendations, End positions adjustable on both sides +/-5° Ball valve: Shut-off valve with floating ball |
| Function | available in double-acting or single-acting Version |
| Connection | G3/8"... G1 1/2" according to ISO228/1 or rather 12L...42L and 14S...38S after EN ISO 8434-1 (DIN 2353) |
| Materials Standard version | Actuator: Hard anodized aluminium, Pinion, nickel-plated steel, Piston guide POM, Seals NBR Ball valve: Housing steel, zinc-plated, Steel ball, Ball seal POM, Spindle seal NBR |
| Application range | Fluids of group 2 according to PED 2014/68/EU that do not attack the materials used. |
| Medium temperature | -20...+100°C |
| Ambient temperature | -20...+85°C |
| Operating pressure | 0bar up to Operating pressure according to table |
| Control medium | filtered and lubricated or non-lubricated compressed air |
| Control pressure | 5,5...8bar, Adaptation to lower pilot pressures possible on request |
| Mounting type | Installation in rigid piping system |
| Mounting position | any |
| Special version | Stainless steel pinion, ATEX, Ambient temperature from -20...+150°C on request |
| Accessories | assembled manual, pneumatic or electric control valve electrical end position feedback, Positioner in I/P or P/P version Adjustment of the switching speed |
| Ordering note | When ordering, please also specify pilot pressure, operating medium, operating pressure and operating temperature. |
| Application note | The pressure and temperature specifications are maximum values for normal conditions, for lubricating or non-degreasing media. Degreasing media in particular reduce the specified values and increase the required torque. For these special cases, we recommend prior consultation. When selecting the valve, the lowest control pressure occurring in the system must be taken as the basis. |



Dimensions



Ball valves with double-acting rotary actuator

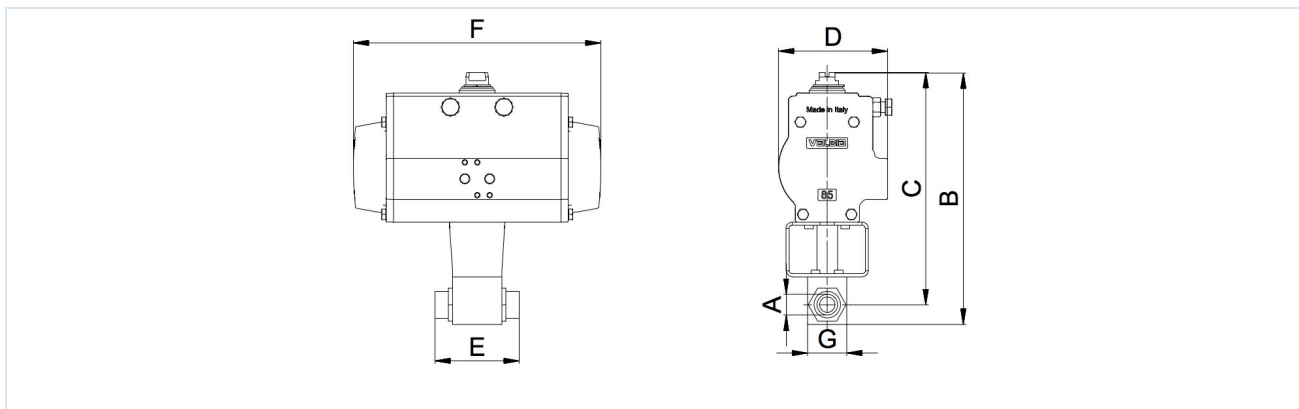
| Connection A | Nominal size DN[mm] | max. operating pressure [bar] | B | C | D | E | F | G | Actuator type | Weight [approx. kg] | Type |
|--------------|---------------------|-------------------------------|-----|-------|------|-----|-------|----|---------------|---------------------|--------------|
| G3/8" | 10 | 500 | 201 | 183,5 | 80,5 | 72 | 164 | 32 | PAD063 | 2,5 | BA233-38-D0 |
| G1/2" | 13 | 500 | 221 | 202 | 94,5 | 83 | 210 | 35 | PAD075 | 3,7 | BA233-12-D0 |
| G3/4" | 20 | 420 | 262 | 237,5 | 106 | 95 | 240,5 | 49 | PAD085 | 5,8 | BA233-34-D0 |
| G1" | 25 | 350 | 270 | 240,5 | 106 | 113 | 240,5 | 58 | PAD085 | 6,5 | BA233-10-D0 |
| G11/4" | 25 | 350 | 270 | 240,5 | 106 | 120 | 240,5 | 58 | PAD085 | 6,7 | BA233-114-D0 |
| G11/2" | 25 | 350 | 270 | 240,5 | 106 | 130 | 240,5 | 58 | PAD085 | 7,0 | BA233-112-D0 |

Ball valves with single-acting rotary actuator

| Connection A | Nominal size DN[mm] | max. operating pressure [bar] | B | C | D | E | F | G | Actuator type | Weight [approx. kg] | Type |
|--------------|---------------------|-------------------------------|-------|-------|-----|-----|-----|----|---------------|---------------------|--------------|
| G3/8" | 10 | 500 | 256 | 238,5 | 123 | 72 | 275 | 32 | PAS1005 | 8,0 | BA233-38-S0 |
| G1/2" | 13 | 500 | 258 | 239 | 123 | 83 | 275 | 35 | PAS1005 | 8,1 | BA233-12-S0 |
| G3/4" | 20 | 420 | 321,5 | 297 | 148 | 95 | 372 | 49 | PAS1255 | 16,10 | BA233-34-S0 |
| G1" | 25 | 350 | 329,5 | 300 | 148 | 113 | 372 | 58 | PAS1255 | 16,8 | BA233-10-S0 |
| G11/4" | 25 | 350 | 329,5 | 300 | 148 | 120 | 372 | 58 | PAS1255 | 16,9 | BA233-114-S0 |
| G11/2" | 25 | 350 | 329,5 | 300 | 148 | 130 | 372 | 58 | PAS1255 | 17,2 | BA233-112-S0 |

Single-acting actuators are supplied spring-closing (NC) unless otherwise ordered.





Ball valves with double-acting rotary actuator

| Connection A | Nominal size DN[mm] | max. operating pressure [bar] | B | C | D | E | F | G | Actuator type | Weight [approx. kg] | Type |
|--------------|---------------------|-------------------------------|-----|-------|------|-----|-------|----|---------------|---------------------|-----------------|
| 12L/M18X1,5 | 10 | 500 | 201 | 183,5 | 80,5 | 74 | 164 | 32 | PAD063 | 2,5 | BA233-12L-D0 |
| 15L/M22X1,5 | 13 | 500 | 221 | 202 | 94,5 | 82 | 210 | 35 | PAD075 | 3,7 | BA233-15L-D0 |
| 18L/M26X1,5 | 13 | 500 | 221 | 202 | 94,5 | 82 | 210 | 35 | PAD075 | 3,7 | BA233-18L-D0 |
| 18L/M26X1,5 | 15 | 420 | 237 | 218 | 94,5 | 82 | 210 | 38 | PAD075 | 3,8 | BA233-18L-D0-01 |
| 22L/M30X2 | 20 | 420 | 262 | 237,5 | 106 | 101 | 240,5 | 49 | PAD085 | 5,7 | BA233-22L-D0 |
| 28L/M36X2 | 25 | 350 | 270 | 240,5 | 106 | 108 | 240,5 | 58 | PAD085 | 6,4 | BA233-28L-D0 |
| 35L/M45X2 | 25 | 350 | 270 | 240,5 | 106 | 112 | 240,5 | 58 | PAD085 | 6,5 | BA233-35L-D0 |
| 42L/M552X2 | 25 | 350 | 270 | 240,5 | 106 | 112 | 240,5 | 58 | PAD085 | 6,7 | BA233-42L-D0 |
| 14S/M22X1,5 | 10 | 500 | 201 | 183,5 | 80,5 | 80 | 164 | 32 | PAD063 | 2,5 | BA233-14S-D0 |
| 16S/M24X1,5 | 13 | 500 | 221 | 202 | 94,5 | 86 | 210 | 35 | PAD075 | 3,7 | BA233-16S-D0 |
| 20S/M30X2 | 13 | 500 | 221 | 202 | 94,5 | 90 | 210 | 35 | PAD075 | 3,7 | BA233-20S-D0 |
| 20S/M30X2 | 15 | 420 | 264 | 245 | 94,5 | 90 | 210 | 38 | PAD075 | 3,8 | BA233-20S-D0-01 |
| 25S/M36X2 | 20 | 420 | 262 | 237,5 | 106 | 109 | 240,5 | 49 | PAD085 | 5,8 | BA233-25S-D0 |
| 30S/M42X2 | 25 | 350 | 270 | 240,5 | 106 | 120 | 240,5 | 58 | PAD085 | 6,5 | BA233-30S-D0 |
| 38S/M52X2 | 25 | 350 | 270 | 240,5 | 106 | 124 | 240,5 | 58 | PAD085 | 6,7 | BA233-38S-D0 |

Ball valves with single-acting rotary actuator

| Connection A | Nominal size DN[mm] | max. operating pressure [bar] | B | C | D | E | F | G | Actuator type | Weight [approx. kg] | Type |
|--------------|---------------------|-------------------------------|-------|-------|-----|-----|-----|----|---------------|---------------------|-----------------|
| 12L/M18X1,5 | 10 | 500 | 256 | 238,5 | 123 | 74 | 275 | 32 | PAS1005 | 7,8 | BA233-12L-S0 |
| 15L/M22X1,5 | 13 | 500 | 258 | 239 | 123 | 82 | 275 | 35 | PAS1005 | 7,9 | BA233-15L-S0 |
| 18L/M26X1,5 | 13 | 500 | 258 | 239 | 123 | 82 | 275 | 35 | PAS1005 | 7,9 | BA233-18L-S0 |
| 18L/M26X1,5 | 15 | 420 | 300,5 | 281,5 | 137 | 82 | 333 | 38 | PAS1155 | 12,7 | BA233-18L-S0-01 |
| 22L/M30X2 | 20 | 420 | 321,5 | 297 | 148 | 101 | 372 | 49 | PAS1255 | 16,1 | BA233-22L-S0 |
| 28L/M36X2 | 25 | 350 | 329,5 | 300 | 148 | 108 | 372 | 58 | PAS1255 | 16,6 | BA233-28L-S0 |
| 35L/M45X2 | 25 | 350 | 329,5 | 300 | 148 | 112 | 372 | 58 | PAS1255 | 16,7 | BA233-35L-S0 |
| 42L/M552X2 | 25 | 350 | 329,5 | 300 | 148 | 112 | 372 | 58 | PAS1255 | 16,9 | BA233-42L-S0 |
| 14S/M22X1,5 | 10 | 500 | 256 | 238,5 | 123 | 80 | 275 | 32 | PAS1005 | 7,8 | BA233-14S-S0 |
| 16S/M24X1,5 | 13 | 500 | 258 | 240,5 | 123 | 86 | 275 | 35 | PAS1005 | 7,9 | BA233-16S-S0 |
| 20S/M30X2 | 13 | 500 | 258 | 240,5 | 123 | 90 | 275 | 35 | PAS1005 | 7,9 | BA233-20S-S0 |
| 20S/M30X2 | 15 | 420 | 298,5 | 279,5 | 137 | 90 | 333 | 38 | PAS1155 | 12,8 | BA233-20S-S0-01 |
| 25S/M36X2 | 20 | 420 | 321,5 | 297 | 148 | 109 | 372 | 49 | PAS1255 | 16,1 | BA233-25S-S0 |
| 30S/M42X2 | 25 | 350 | 329,5 | 300 | 148 | 120 | 372 | 58 | PAS1255 | 16,7 | BA233-30S-S0 |
| 38S/M52X2 | 25 | 350 | 329,5 | 300 | 148 | 124 | 372 | 58 | PAS1255 | 16,9 | BA233-38S-S0 |

Single-acting actuators are supplied spring-closing (NC) unless otherwise ordered.

Illustrations non-binding

Design, dimensional and material changes reserved

Amatures / Ball valves - automatically operated / Ball valves for high pressure - pneumatically operated / Ball valve with pneumatic actuator Series BA233

Version 4

138021 / Generated 2026/23 EN

+43 512 52076

austria@stasto.eu

© STASTO Automation KG

www.stasto.com

Open series online

Page 3 / 3

