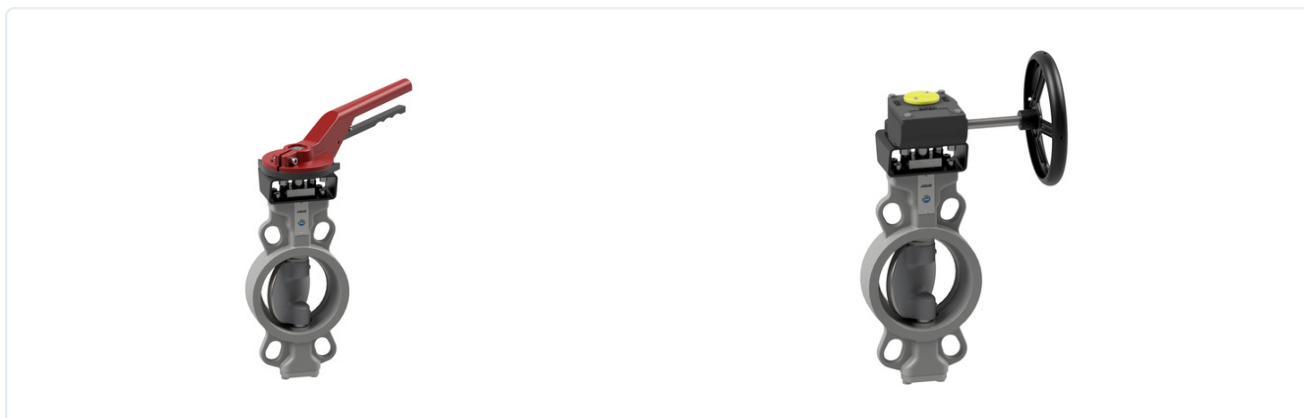


## Butterfly valve Series BUW9, double eccentricity



Design type	Wafer butterfly valve with two-piece shaft, Double-offset disc mounting, Shaft secured against blow-out by screw connection
Actuation	Hand lever Aluminium, 10 Indexing positions, by turning the mounting adapter 2 Indexing positions Manual gearbox infinitely variable
Connection	DN50...DN500, Flanges according to EN1092
Flange type	DN300 - PN10/PN16/ANSI150, all other sizes PN10/PN16/PN25/ANSI150
Overall length	according to EN558-1R20
Materials	Housing Steel epoxy-coated or Stainless steel 1.4408, Disc Stainless steel 1.4408, Shaft Stainless steel 1.4542 Hand lever Aluminium Manual gearbox Grey cast iron
Seal	RTFE (reinforced PTFE), Inconel 625 (metallic)
Spindle seal	via a self-adjusting graphite gland packing
Sealing at the flange	with additional flange seals (not included in the scope of delivery)
Application range	Fluids and gases of group 1 and 2 in accordance with PED 2014/68/EU that do not attack the materials used.
Medium temperature	-10...+425°C, depending on the seal used, see table "Sealing materials"
Operating pressure	Vacuum (only with seal RTFE) max. 30mbar absolute up to max. 25bar, see pressure-temperature diagram
Flow direction	any, preferred flow direction is marked by an arrow
Mounting type	Installation in rigid piping system between two flanges to EN1092, form 11, 21, 34
Mounting position	any
Special versions	Flanged version, Body and disc made of duplex or superduplex, ATEX II 2G/D c TX, Fire-safe, DN300 Flange PN25



## Type code

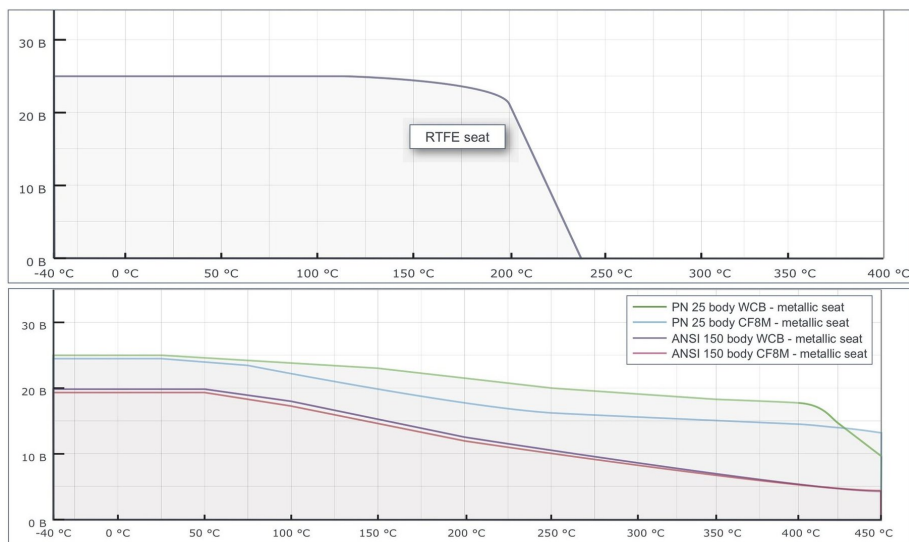
<b>Butterfly valve</b>		BU W 9 -050 -C S I S -L -A
<b>Flange version</b>	Sandwich plate	W
<b>Operating pressure / Flange mounting</b>	25bar...PN10/16/25/A150	9
	25bar...PN10/16//A150	0
	25bar...PN25	V
<b>Nominal size</b>	50mm	050
	65mm	065
	80mm	080
	100mm	100
	125mm	125
	150mm	150
	200mm	200
	250mm	250
	300mm	300
	350mm	350
	400mm	400
	500mm	500
<b>Body</b>	Steel	C
	Stainless steel 1.4408	S
<b>Disc</b>	Stainless steel 1.4408	S
<b>Seal</b>	Inconel 625	I
	RTFE	R
	RTFE/Inconel 625/Graphite - Fire-safe	R2
<b>Shaft</b>	Stainless steel 1.4542	S
	Stainless steel 1.4542 Square diagonal instead of parallel key DN200...DN300	Q
<b>Actuation</b>	free shaft	B
	Gearbox	G
	Hand lever Aluminium 10 Indexing positions	L
<b>Special versions</b>	ATEX	A
	oil- and grease-free	G
	silicone-free	S

## Sealing materials

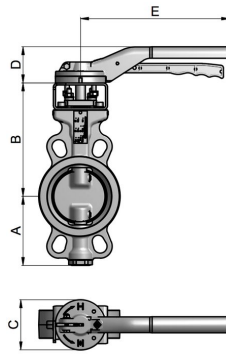
Material	Medium temperature	Leakage rate
RTFE	-10 (-60)*...+230°C	Class VI-ANSI/FCI70-2
Inconel 625 (metallic)	-10 (-60)*...+425°C	Class V-ANSI/FCI70-2

\*lower media temperatures on request

## Pressure-temperature diagram



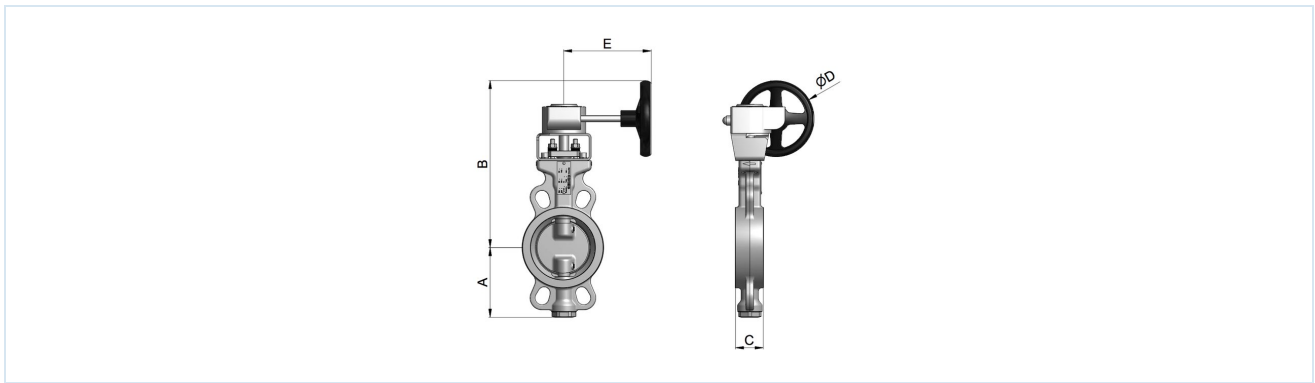
## Dimensions with detent lever handle



Nominal size DN [mm]	A	B	C	D	E	Spindle square, diagonal [mm]	Flange ISO 5211	Weight [approx. kg]
50	81	167	43	67	220	11	F07	4,1
65	93	170	46	67	220	11	F07	4,6
80	101	179	46	67	220	11	F07	5,4
100	128	210	52	67	275	14	F07	8,7
125	159	220	56	76	340	17	F10	11,1
150	168	229	56	76	340	17	F10	14,5



## Dimensions with handwheel gearbox



### Seal RTFE

Nominal size DN [mm]	A	B	C	D	E	Spindle type	Spindle dimension [mm]	Flange ISO 5211	Weight [approx. kg]
50	81	294	43	200	157,5	Square diagonal	11	F05/F07	5,7
65	93	297	46	200	157,5	Square diagonal	11	F05/F07	6,2
80	101	306	46	200	157,5	Square diagonal	11	F05/F07	7
100	128	337	52	200	157,5	Square diagonal	14	F05/F07	10,2
125	159	349	56	200	217	Square diagonal	17	F07/F10	13,6
150	168	358	56	200	217	Square diagonal	17	F07/F10	17
200	207	407	61	200	282	Square diagonal	22	F07/F10	26,2
250	232	528	69	300	282	Square diagonal	22	F12	43,5
300	270	571	78	300	282	Square diagonal	27	F12	58,5
350	304	726	92	500	322	Parallel key	40	F14	105
400	340	785	102	500	322	Parallel key	45	F14	129
500	427	906	127	600	425	Parallel key	60	F16	232

### Seal Inconel 625

Nominal size DN [mm]	A	B	C	D	E	Spindle type	Spindle dimension [mm]	Flange ISO 5211	Weight [approx. kg]
50	81	294	43	200	157,5	Square diagonal	11	F05/F07	5,7
65	93	297	46	200	157,5	Square diagonal	11	F05/F07	6,2
80	101	306	46	200	157,5	Square diagonal	11	F05/F07	7
100	128	337	52	200	157,5	Square diagonal	14	F05/F07	10,2
125	159	349	56	200	217	Square diagonal	17	F07/F10	13,6
150	168	358	56	200	217	Square diagonal	17	F07/F10	17
200	207	469	61	300	282	Square diagonal	22	F07/F10	36,2
250	232	579	69	400	282	Square diagonal	22	F12	49
300	270	622	78	400	282	Square diagonal	27	F12	64
350	304	726	92	500	322	Parallel key	40	F14	105
400	340	842	102	600	425	Parallel key	45	F14	139
500	427	906	127	600	398	Parallel key	60	F16	245



## Kv value [m³/h]

Nominal size DN [mm]	Valve disc opening angle								
	10°	20°	30°	40°	50°	60°	70°	80°	90°
50	-	5	15	26	36	43	47	51	53
65	-	11	28	49	74	97	123	139	144
80	-	17	33	56	85	115	145	164	171
100	12	43	83	127	187	264	351	447	500
125	26	71	138	207	300	430	579	760	864
150	35	91	176	261	377	544	735	974	1112
200	40	155	309	464	684	1023	1430	2040	2351
250	46	229	463	699	1040	1579	2236	3279	3789
300	51	297	605	916	1367	2091	2977	4418	5111
350	-	-	-	-	-	-	-	-	-
400	-	-	-	-	-	-	-	-	-
500	-	-	-	-	-	-	-	-	-

Illustrations non-binding

Design, dimensional and material changes reserved

Armatures / Valves, butterfly valves and gate valves - manually operated / Butterfly valves / Butterfly valve with hand lever Series BUW9-SSIS-L

