

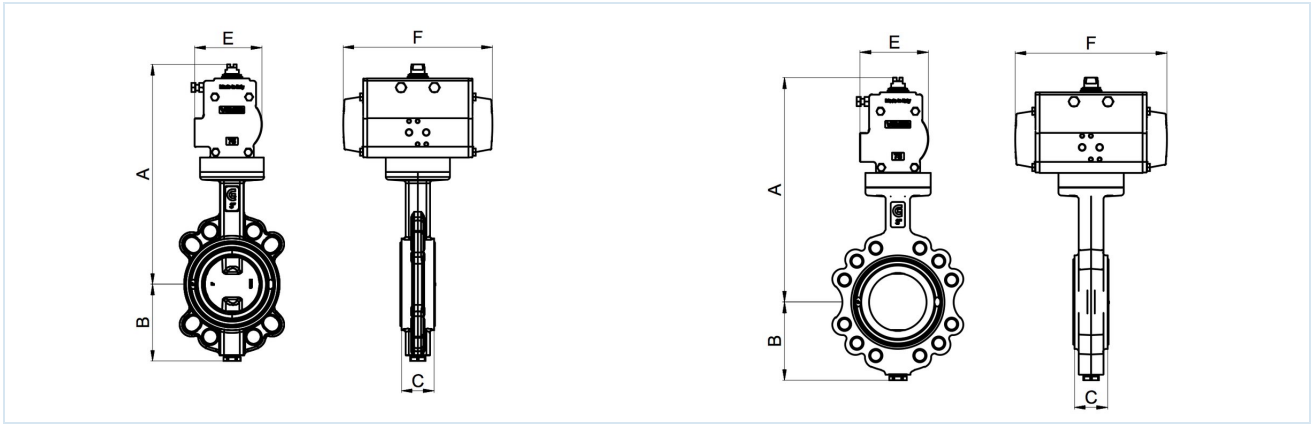
Butterfly valves with pneumatic rotary actuator Series BUW6, BULG/C



Design type	Wafer or lug butterfly valve with two-piece shaft, floating disc, torque transmission via spline, shaft secured against blow-out by circlip
Function	double-acting or single-acting Version
Connection	Flanges according to EN1092 or rather ANSI150
Flange type	Sandwich mounting version: PN10/PN16/ANSI150 Flanged version DN40...DN150: PN10/PN16, DN200...DN300: PN10
Overall length	according to EN558-1R20
Materials	Actuator: Hard anodized aluminium, Pinion, nickel-plated steel, Piston guide POM, Seals NBR Butterfly valve Housing Ductile iron EN-GJS-400-15 epoxy-coated 40...60µm, Disc Galvanized steel (DN50...100), Ductile iron EN-GJS-400-15 zinc-plated (DN125...500) or rather Stainless steel 1.4408, Shaft Stainless steel 1.4016 (not in contact with the medium)
Seal ring	EPDM interchangeable, additional seals see table "Cuff materials"
Spindle seal	Via the housing lining, so that contact with the housing is avoided. In addition, an O-ring below the head flange protects the shaft against dust ingress from outside and medium leakage from inside.
Sealing at the flange	without additional seals (Housing lining seals directly)
Application range	lubricating or non-degreasing gaseous and liquid media that do not attack the materials used, other media on request
Medium temperature	10...+200°C additionally depending on the seal material - see table "Seal materials"
Ambient temperature	-20...+85°C
Operating pressure	see table Flanged version: Installation without counter flange max. 6bar Vacuum: -0,97bar
Control medium	filtered and lubricated or non-lubricated compressed air
Control pressure	5,5...8bar, Adaptation to lower control pressures on request
Flow direction	any
Mounting type	Installation in rigid piping system between two flanges to EN1092, form 01, 11, 32, 34
Mounting position	any
Special version	Disc Hastelloy or Monel, Stainless steel pinion, Ambient temperatures from -40...+85°C or rather -20...+150°C, Nominal sizes up to DN500, ATEX II 2 GD Ex h X - ATEX II 2 G/D c T6
Accessories	assembled manual, pneumatic or electric control valve electrical end position feedback, Positioner in I/P or P/P version Adjustment of the switching speed, intermediate disengageable gearbox for manual operation



Dimensions



Butterfly valves with double-acting actuator, Control pressure 5,5...8bar, Seal ring EPDM

Nominal size DN[mm]	max. Operating pressure Water [bar]	max. Operating pressure other media [bar]**	A	B	C	E	F	Actuator type	Kv value [m³/h]	Type Sandwich plate	Weight [approx. kg]	Type Flange connection	Weight [approx. kg]
40	16	10	263	75	33	81	164	PAD063	116	BUW6-040-D.E-D..	4	BULG-040-D.E-D..	5
50	16	10	271	81	43	81	164	PAD063	116	BUW6-050-D.E-D..	4,6	BULG-050-D.E-D..	5,5
65	16	10	277	98	46	81	164	PAD063	257	BUW6-065-D.E-D..	5,5	BULG-065-D.E-D..	7,1
80	16	10	309	110	46	95	210	PAD075	508	BUW6-080-D.E-D..	6,9	BULG-080-D.E-D..	9
100	16	10	338	128	52	106	241	PAD085	925	BUW6-100-D.E-D..	10	BULG-100-D.E-D..	12,1
125	16	10	351	140	56	106	241	PAD085	1492	BUW6-125-D.E-D..	11,2	BULG-125-D.E-D..	13,7
150	16	10	380	155	56	123	275	PAD100	2168	BUW6-150-D.E-D..	14,7	BULG-150-D.E-D..	17,1
200	16 (10)*	10	465	190	60	148	372	PAD125	3838	BUW6-200-D.E-D..	24,9	BULC-200-D.E-D..	37,9
250	16 (10)*	10	517	220	68	164	435	PAD140	5010	BUW6-250-D.E-D..	38,7	BULC-250-D.E-D..	50,7
300	16 (10)*	10	571	247	78	186	500	PAD160	9233	BUW6-300-D.E-D..	53,9	BULC-300-D.E-D..	70,9

*Pressure in brackets is valid for flanged version

**lubricating or non-degreasing gaseous and liquid media that do not attack the materials used



Butterfly valves with single-acting actuator, Control pressure 5,5...8bar, Seal ring EPDM

Nominal size DN[mm]	max. Operating pressure Water [bar]	max. Operating pressure other media [bar]**	A	B	C	E	F	Actuator type	Kv value [m³/h]	Type Sandwich plate	Weight [approx. kg]	Type Flange connection	Weight [approx. kg]
40	16	10	295	75	33	106	241	PAS0855	116	BUW6-040-D.E-S..	7,1	BULG-040-D.E-S..	7,9
50	16	10	303	81	43	106	241	PAS0855	116	BUW6-050-D.E-S..	7,7	BULG-050-D.E-S..	8,6
65	16	10	309	98	46	106	241	PAS0855	257	BUW6-065-D.E-S..	8,6	BULG-065-D.E-S..	10,2
80	16	10	371	110	46	137	333	PAS1155	508	BUW6-080-D.E-S..	15,6	BULG-080-D.E-S..	17,7
100	16	10	386	128	52	137	333	PAS1155	925	BUW6-100-D.E-S..	17,6	BULG-100-D.E-S..	19,7
125	16	10	411	140	56	148	372	PAS1255	1492	BUW6-125-D.E-S..	21,4	BULG-125-D.E-S..	23,9
150	16	10	473	155	56	186	500	PAS1605	2168	BUW6-150-D.E-S..	38,7	BULG-150-D.E-S..	41,1
200	16 (10)*	10	568	190	60	217	579	PAS2005	3838	BUW6-200-D.E-S..	69,1	BULC-200-D.E-S..	82,1
250	16 (10)*	10	598	220	68	217	579	PAS2005	5010	BUW6-250-D.E-S..	77,1	BULC-250-D.E-S..	89,1
300	16 (10)*	10	675	247	78	249	690	PAS2305	9233	BUW6-300-D.E-S..	103,1	BULC-300-D.E-S..	120,1

*Pressure in brackets is valid for flanged version
 **lubricating or non-degreasing gaseous and liquid media that do not attack the materials used

Illustrations non-binding

Design, dimensional and material changes reserved

[Armatures](#) / [Valves, butterfly valves and gate valves - automatically operated](#) / [Butterfly valves - pneumatically operated](#) / [Butterfly valve with pneumatic actuator Series BULG-D, BULC-D](#)

