

maintenance unit G3/4"
series MU303

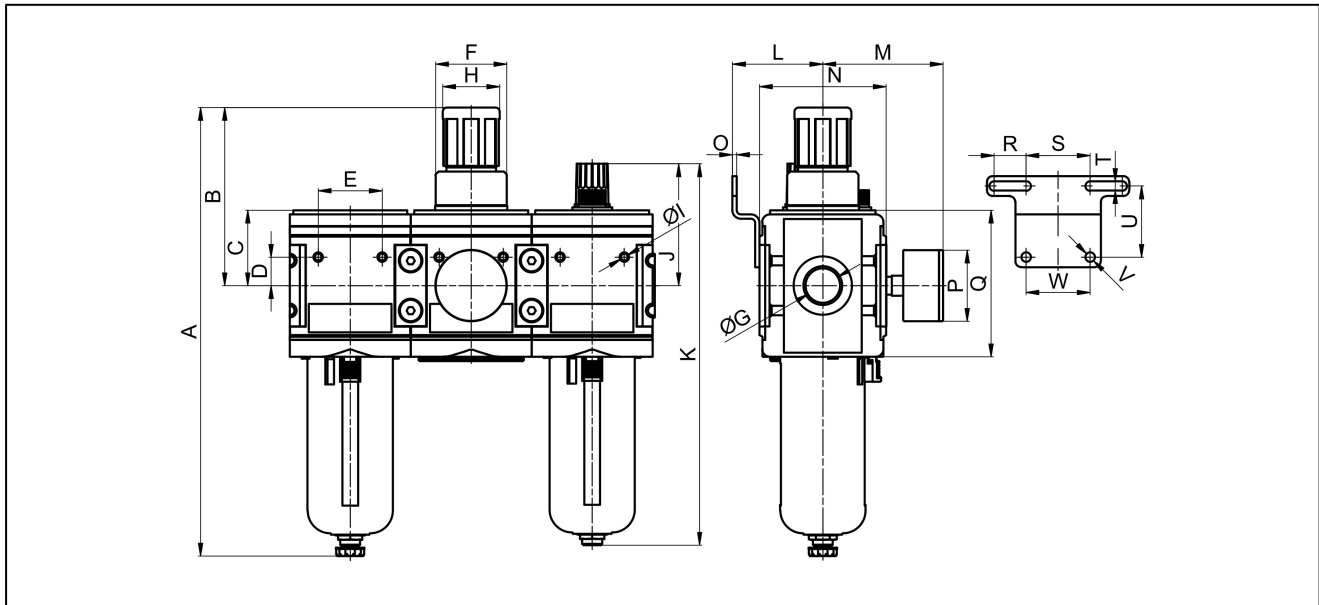


design	diaphragm pressure regulator with relieving, centrifugal filter, sinter-filterelement, semi-automatic drain valve, proportional lubricator and constant air consumption of max. 1,5NI/min
function	regulation of the outlet pressure by turning knob
filter element	5µm
oil metering	1...2 drops/min. at Q _N = 1000 NI/min
connection	G3/4" according to ISO228/1
materials	body zinc die casting, oil- and condensate bowl polycarbonat or metal, seals NBR, knob POM
medium	compressed air
medium temperature	with plastic bowl 0...+60°C, with metal bowl 0...+60°C (with appropriately conditioned compressed air -10...+60°C)
ambient temperature	with plastic bowl 0...+60°C, with metal bowl -10...+60°C
inlet pressure	1,5...16bar
adjustment ranges	0,1...3/0,2...6/0,5...10 and 0,5...16bar
flow direction	is marked by an arrow
type of fixing	installation in a pipe system or wall mounting with mounting bracket
mounting position	vertical, drain screw below
detent	pressure adjustment can be arrested by pushing the turning knob
scope of supply	including manometer
oil recommendation	HP32A (temperature range 0...50°C), NR32 (temperature range -35...85°C)

type code

		MU303 - 34 H - 0,5/10 - P - A	
connection	3/4"	34	
flow rate	high flow rate	H	
pressure range	0,1...3bar		0,1/3
	0,2...6bar		0,2/6
	0,5...10bar		0,5/10
	0,5...16bar		0,5/16
bowl	plastic bowl with protection cage		P
	metal bowl with transparent inspection pipe		M
drain valve	semi-automatic drain valve (blank position)		
	automatic valve for drainage of condensate		A

dimension



connection G	A	B	C	D	E	F	H	I	J	K	type
G3/4"	315	125	53	20	45	M50x1,5	40	M6	86	268	MU303-34H-P
G3/4"	315	125	53	20	45	M50x1,5	40	M6	99	281	MU303-34H-M

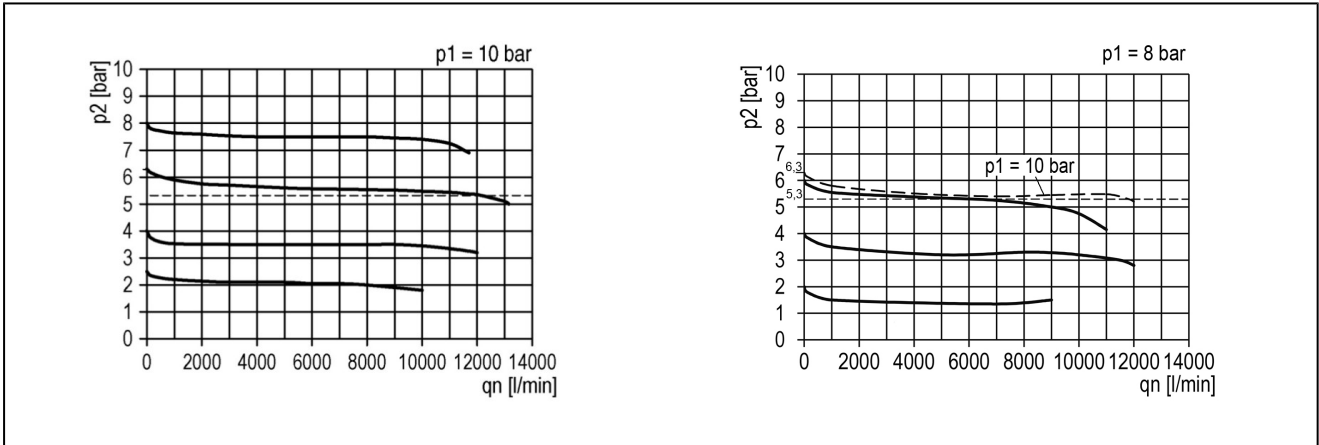
L	M	N	O	P	Q	R	S	T	U	V	W	type
63,5	63,5	89	3	50	103	22,5	45	6,5	50	6,5	45	MU303-34H-P
63,5	63,5	89	3	50	103	22,5	45	6,5	50	6,5	45	MU303-34H-M

connection	flow at 6,3bar* [Nl/min]	flow at 6bar* [Nl/min]	maximum inlet pressure [bar]	pressure range [bar]	weight [approx. kg]	type
G3/4"	12000	9000	16	0,1...3	3,9	MU303-34H-0,1/3-P
G3/4"	12000	9000	16	0,2...6	3,9	MU303-34H-0,2/6-P
G3/4"	12000	9000	16	0,5...10	3,9	MU303-34H-0,5/10-P
G3/4"	12000	9000	16	0,5...16	3,9	MU303-34H-0,5/16-P
G3/4"	12000	9000	16	0,1...3	5	MU303-34H-0,1/3-M
G3/4"	12000	9000	16	0,2...6	5	MU303-34H-0,2/6-M
G3/4"	12000	9000	16	0,5...10	5	MU303-34H-0,5/10-M
G3/4"	12000	9000	16	0,5...16	5	MU303-34H-0,5/16-M

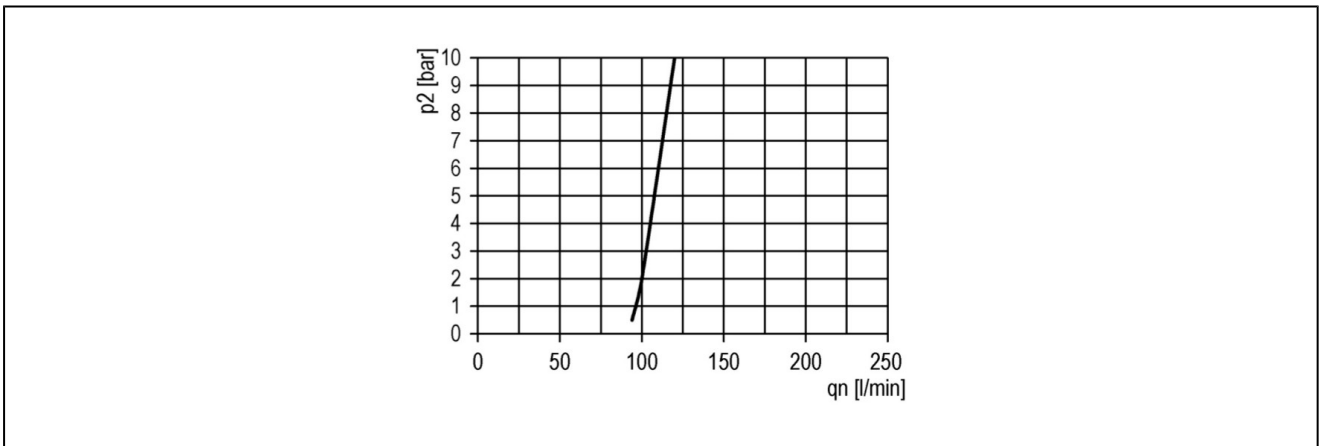
*flow rate at input pressure of 10bar, output pressure of 6,3bar and 1bar pressure drop

**flow rate at input pressure of 8bar, output pressure of 6bar and 1bar pressure drop

flow diagrams for adjustment range 0,5...10 bar



lubricator-limit



accessories

designation	type
mounting bracket including 2 screws	MMB03-34H/10

illustrations are non-binding

all designs, configurations, measurements and materials are subject to change without prior notice