

Electrical Position indicator for Pneumatic rotary actuators Size 52 up to 270 Series EBOX13 and EBOX14



EBOX13



EBOX14

Design type	The limit switch boxes are equipped with an inductive dual sensor. The valve position is indicated by an optical position indicator.
Materials	Housing impact-resistant Vestamid, Cover Makrolon or rather Vestamid, Mounting table Polyamide
Ambient temperature	EBOX13 -25...+70°C, EBOX14 -25...85°C

Electrical data:

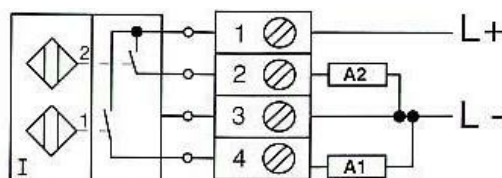
Switching capacities	see table "Technical data"
Electrical Connection	above Terminals, Cable entry M20x1,5
Degree of protection	IP65 according to EN 60529 with correctly installed cable entry (protection against dust ingress and splashing water)
Scope of delivery	Coupling pin and Mounting table are included in the delivery scope
Special version	M-12 Plug-in connection, UV-resistant cover, Limit switch box complete, aluminium body
Adjustment of the proximity switch	The switching cams of the dual sensor can be adjusted after removing the cover. These switching contacts (red) must be adjusted so that the dual sensor is actuated in the open and closed position.

Technical data

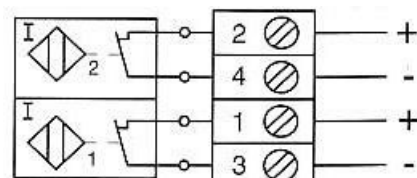
Switching current	max. switching voltage	Function	Explosion protection	Cover material	Switch type	Weight [approx. kg]	Type
200mA	10-30VDC	Normally closed (NC) PNP	-	Makrolon	P&F-NBN3-F25F-E8	0,6	EBOX13
1mA or rather 3mA	8VDC	Normally open NAMUR	EExi/Namur	Vestamid	P&F-NCN3-F25F-N4	0,7	EBOX14

Attention: Namur sensors must be connected to external switching amplifiers that convert the change of state (current change) into a switching signal.

Terminal diagram



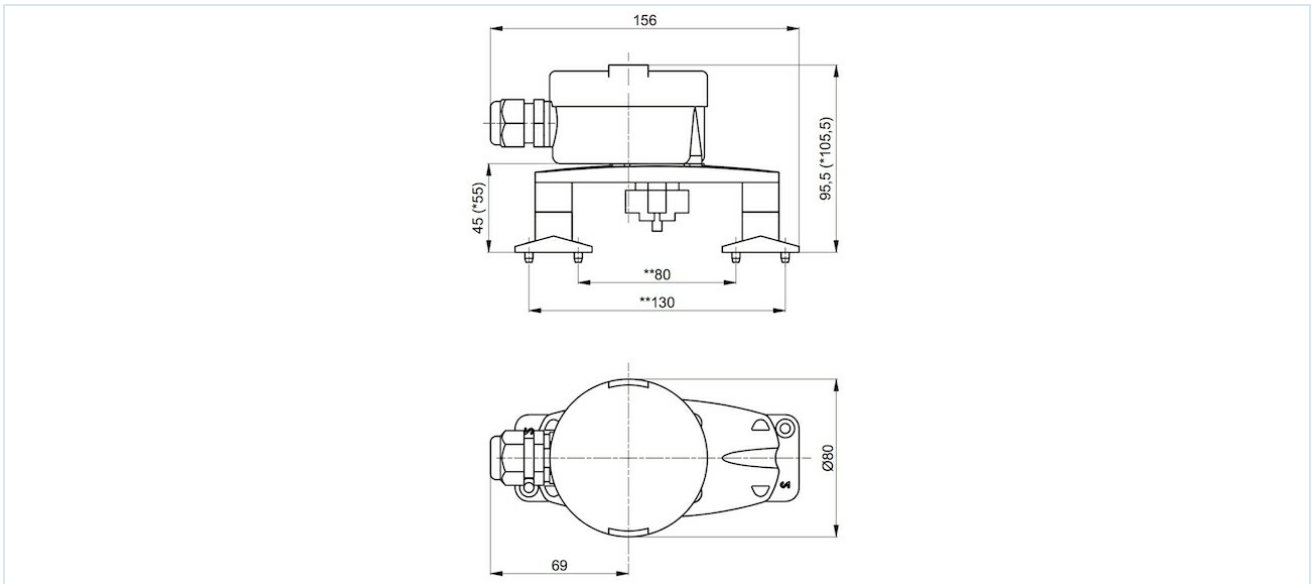
EBOX13



EBOX14



Dimensions



Illustrations non-binding
Design, dimensional and material changes reserved

Armatures / Ball valves - automatically operated / Accessories / Mounted limit switch box

