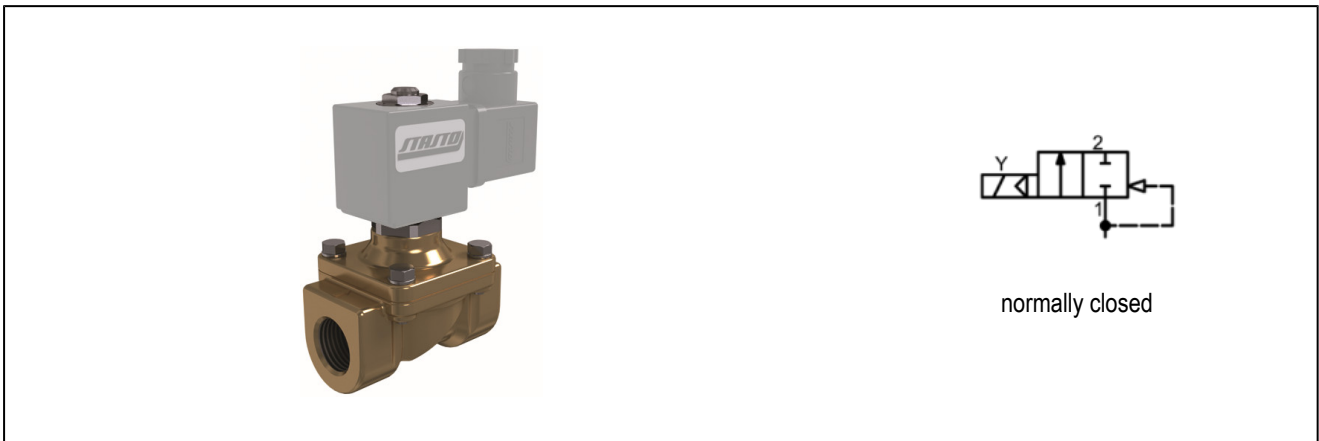


2/2 - way solenoid valve - combined operated series 21HF



design	2/2-way solenoid valve with diaphragm, combined operated, normally closed
connection	G11/4" ... G11/2" according to ISO228/1
materials	body brass, inner parts brass and stainless steel similar to AISI 430F, seals FKM, EPDM or NBR
type of fixing	installed into rigid pipework
mounting position	preferably with a vertical electrical part
application	gaseous and liquid fluids which do not affect the used materials
viscosity	max. 12mm ² /s (cst)
switching time	depending to operating pressure, media and nominal diameter
medium temperature	dependent on sealing material and coil
ambient temperature	see table "coils"
electrical data	
type of coil	type BDA, connector size 32mm (standard coil) type BDV, connector size 32mm (coil for humid area) type GDH/GDV, connector size 32mm (coil for DC, coil for humid area)
electrical connection	connector acc. to EN175301-803-form A (see separate datasheet)
type of current	AC and DC
standard voltage	230V/50-60Hz, 24V/50-60Hz, 24VDC
special voltage	on request
acceptable voltage tolerance	AC +10%/-15% DC +10%/-5%
power consumption	see to the table "power consumption of coils"
duty cycle	100% duty cycle (continuous operation)
protection class	IP65 according to EN 60529 for a correctly mounted connector (protection against the penetration of dust and jet water)
direction for use	please specify voltage and type of current by order. we always recommend connecting a strainer in front of the valve, otherwise malfunction can occur in the event of contaminated medium. these valves can also be used for rough vacuum.

type code

		21HF 7 K0 B 350 - BDA - 230V/50-60Hz	
connection	G11/4"	7	
	G11/2"	8	
seal	NBR	B	
	EPDM	E	
	FKM	V	
nominal diameter	35mm	350	
	40mm	400	
coil	BDA standard coil - approval CE		BDA
	BDV coil for humid area - approval CE-CSA-UL-VDE		BDV
	GDV coil for higher pressures - coil for humid area - approval CE-CSA-UL-VDE		GDV
	GDH coil for higher pressures - coil for humid area - approval CE		GDH
voltage	230V/50-60Hz		230V/50-60Hz
	24V/50-60Hz		24V/50-60Hz
	24VDC		24VDC

application of the individual seal materials

material	medium temperature	examples of use
NBR	-10...+90°C	air, water, neutral gases and liquids
EPDM	-10...+140°C	hot water, steam, oxygen
FKM	-10...+140°C	oils, petrol, diesel

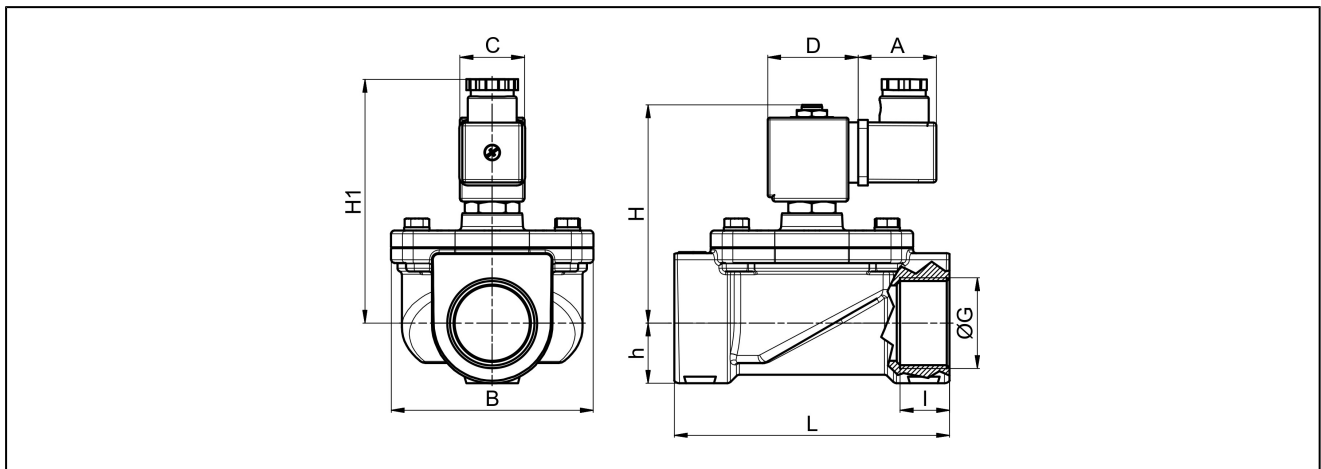
coil

type	protection class	use	ambient temperature	approvals
BDA	IP65	medium temperature up to max. 120°C	-10...+40°C	CE
BDV	IP65	medium temperature up to max. 160°C, high humidity	-20...+60°C	CE-CSA-UL-VDE
GDH	IP65	medium temperature up to max. 180°C, high humidity	-20...+40°C	CE
GDV	IP65	medium temperature up to max. 180°C, high humidity	-20...+60°C	CE-CSA-UL-VDE

power consumption of the coils

voltage	inrush power (AC) VA	holding power (AC) VA	holding power (direct current) at operating temperature W	type
12VDC	-	-	8	BDA08012CS
24V/50-60Hz	25	14,5	-	BDA08024DS
24VDC	-	-	8	BDA08024CS
42V/50Hz	25	14,5	-	BDA08042AS
48V/50Hz	25	14,5	-	BDA08048AS
110VDC	-	-	8	BDA08110CS
110V/50-60Hz	25	14,5	-	BDA08110DS
115V/60Hz	25	14,5	-	BDA08115BS
220-230V/50-60Hz	25	14,5	-	BDA08223DS
380V/50-60Hz	25	14,5	-	BDA08380DS
24VDC	-	-	11	BDV08024CY
24V/50-60Hz	25	17	-	BDV08024DY
110V/50Hz 120V/60Hz	25	15	-	BDV080110AY
230V/50Hz 240V/60Hz	25	16	-	BDV08230AY
12VDC	-	-	14	GDH14012CS
48VDC	-	-	14	GDH14048CS
220VDC	-	-	14	GDH14220CS
24VDC	-	-	14	GDV14024CY
24V/50-60Hz	43	26	-	GDV14024DY
230V/50Hz 240V/60Hz	43	27	-	GDV14230AY
110V/50Hz 120V/60Hz	43	23	-	GDV14110AY

dimensions



connection G	nominal diameter DN[mm]	pressure range [bar]		A	B	C	D	H	H1	h	I	L	kv value [m ³ /h water]	coil	weight [approx. kg]	type
		AC	DC													
G11/4"	35	0 - 16	-	36	94	30	42	130	142	27	21	128	16,2	BD.	2,45	21HF7K0B350
G11/4"	35	0 - 16	6	36	94	52	55	130	142	27	21	128	16,2	GD.	2,75	21HF7K0B350
G11/2"	40	0 - 16	-	36	94	30	42	130	142	27	21	128	16,8	BD.	2,25	21HF8K0V400
G11/2"	40	0 - 16	6	36	94	52	55	130	142	27	21	128	16,8	GD.	2,55	21HF8K0V400

illustrations are non-binding
all designs, configurations, measurements and materials are subject to change without prior notice