

## Manifold strip G1/4" and G1/2" Series DI02, DI03

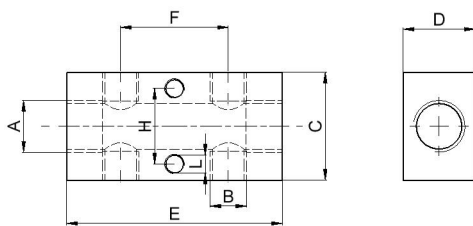


Design type	Manifold strip
Connection	G1/4" and G1/2"
Materials	Aluminium anodized
Medium temperature	-50...100°C
Pressure range	Vacuum up to 16bar
Mounting type	Installation in piping system or via mounting holes
Version	single- or double-sided outlets
Number of outlets	2...12

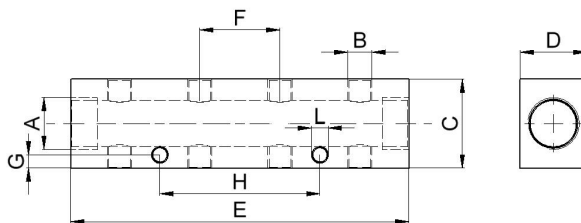
Manifold rail with double-sided outlets



Drawing 1

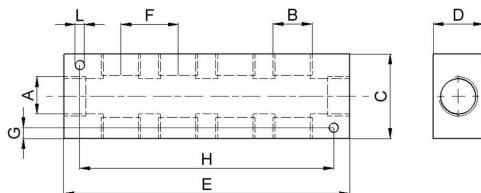


Drawing 2



Connection A	Outlets B	C	D	E	F	G	H	L	Number of outlets	Drawing	Type
G1/4"	G1/8"	30	20	60	30	4,5	21	5,5	4	1	DI03-14-4-18
G1/4"	G1/8"	30	20	120	30	4,5	60	5,5	8	2	DI03-14-8-18
G1/4"	G1/8"	30	20	180	30	4,5	120	5,5	12	2	DI03-14-12-18
G1/2"	G1/4"	40	30	80	36	6	28	6,5	4	1	DI03-12-4-14
G1/2"	G1/4"	40	30	152	36	6	72	6,5	8	2	DI03-12-8-14
G1/2"	G1/4"	40	30	224	36	6	144	6,5	12	2	DI03-12-12-14

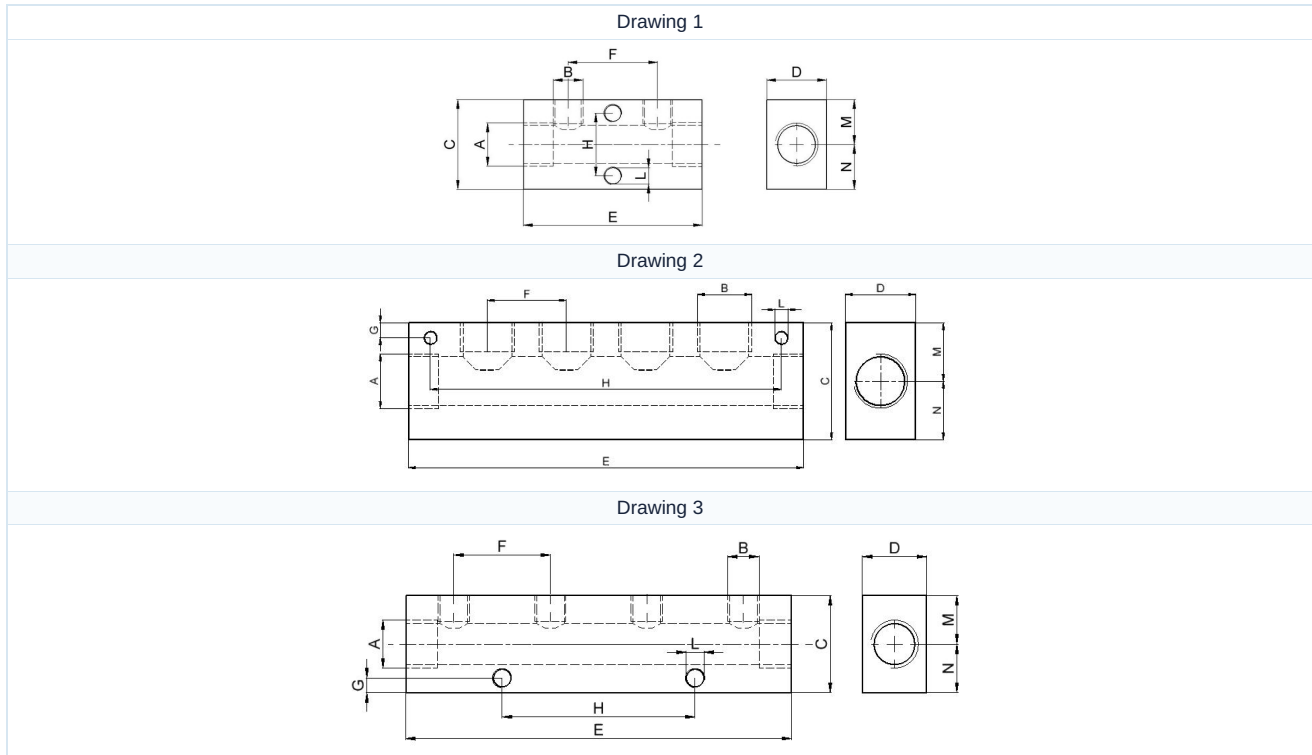
Manifold rail with double-sided outlets



Connection A	Outlets B	C	D	E	F	G	H	L	Number of outlets	Type
G1/2"	G1/2"	50	30	102	34	6,5	83	5,5	4	DI03-4-12
G1/2"	G1/2"	50	30	170	34	6,5	151	5,5	8	DI03-8-12
G1/2"	G1/2"	50	30	238	34	6,5	219	5,5	12	DI03-12-12



Manifold rail with outlets on one side



Connection A	Outlets B	C	D	E	F	G	H	M	N	L	Number of outlets	Drawing	Type
G1/4"	G1/8"	30	20	60	30	4,5	21	15	15	5,5	2	1	DI02-14-2-18
G1/4"	G1/8"	30	20	120	30	4,5	60	15	15	5,5	4	3	DI02-14-4-18
G1/4"	G1/8"	30	20	180	30	4,5	120	15	15	5,5	6	3	DI02-14-6-18
G1/4"	G1/8"	30	20	240	30	4,5	180	15	15	5,5	8	3	DI02-14-8-18
G1/2"	G1/4"	40	30	80	36	6	28	20	20	6,5	2	1	DI02-12-2-14
G1/2"	G1/4"	40	30	152	36	6	72	20	20	6,5	4	2	DI02-12-4-14
G1/2"	G1/4"	40	30	224	36	6	144	20	20	6,5	6	2	DI02-12-6-14
G1/2"	G1/2"	50	30	102	34	6,5	83	25	25	5,5	2	2	DI02-2-12
G1/2"	G1/2"	50	30	170	34	6,5	151	25	25	5,5	4	2	DI02-4-12
G1/2"	G1/2"	50	30	238	34	6,5	219	25	25	5,5	6	2	DI02-6-12

Illustrations non-binding  
 Design, dimensional and material changes reserved

