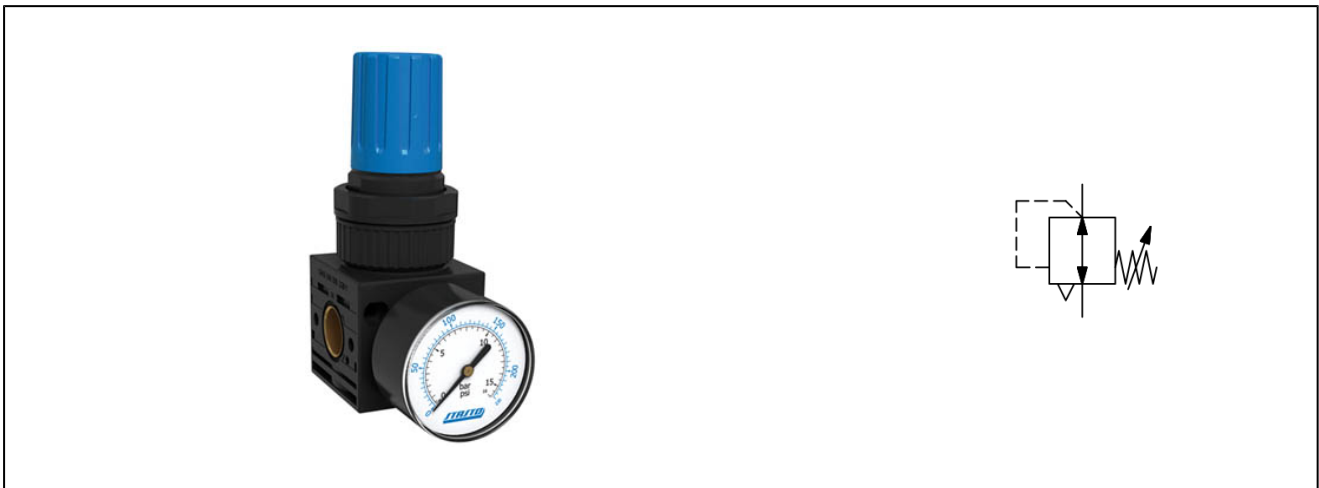


pressure regulator 1/4"
series RE01-14

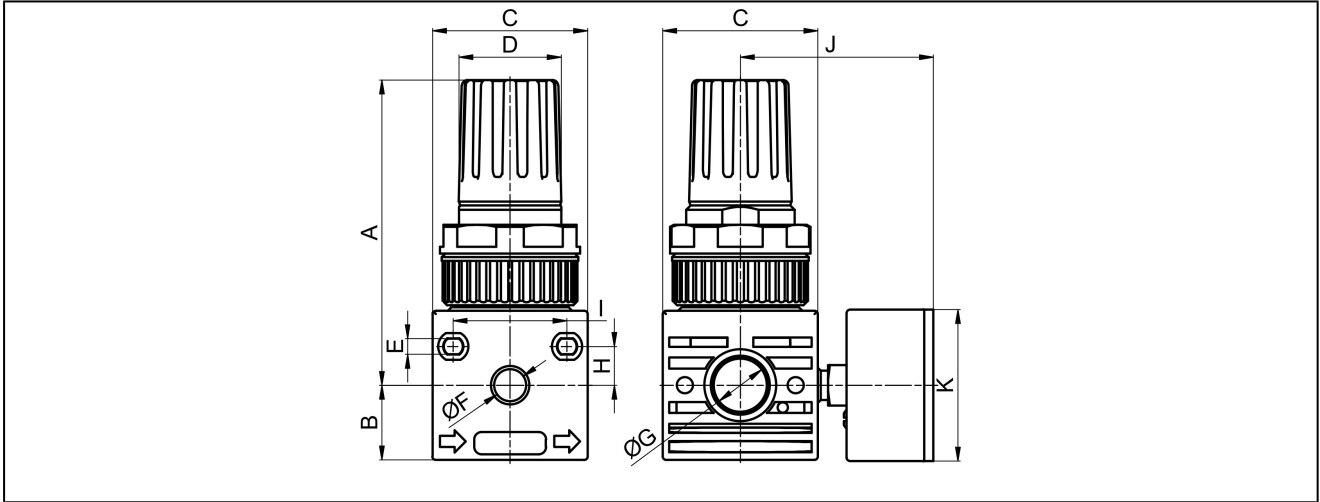


design	diaphragm pressure regulator with relieving
connection	G1/4" according to ISO228/1
materials	body acetal resin (POM), threaded connections brass, seals NBR
function	control of outlet pressure
type of fixing	installation in a pipe system, neck nut or wall mounting with mounting bracket
mounting position	any
medium	filtered compressed air
medium temperature	+5...+50°C
ambient temperature	+5...+50°C
inlet pressure	max. 16bar
adjustment ranges	see "order code"
flow direction	is marked by an arrow
detent	pressure setting can be locked by pressing the knob
scope of supply	including manometer Ø40mm and neck nut
special version	lockable version

order code

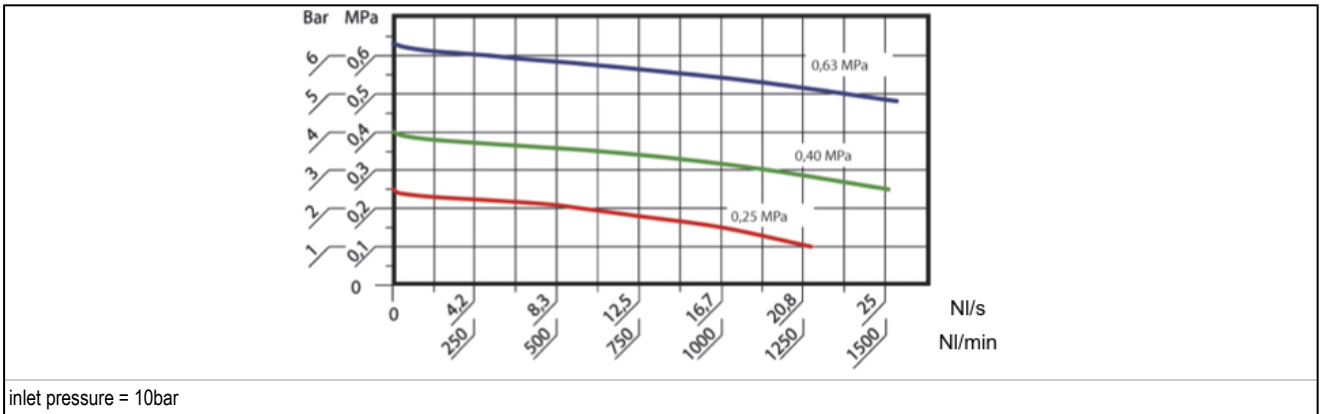
		RE01 - 14 - 0,5/8 - MA	
connection	1/4"	14	
pressure range	0,5...4bar		0,5/4
	0,5...8bar		0,5/8
	0,5...12bar		0,5/12
manometer	with pressure gauge		MA

dimensions

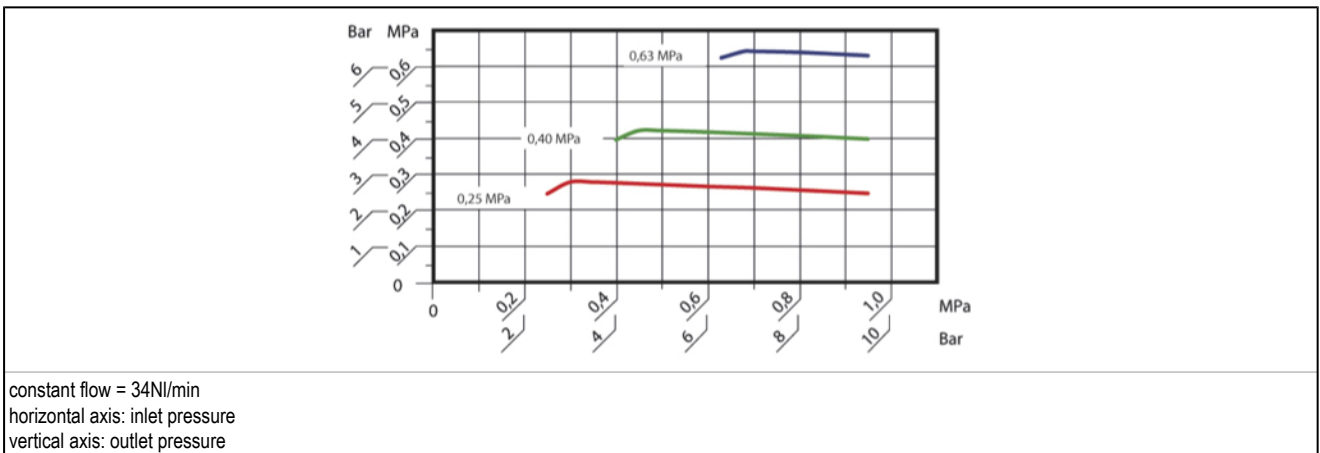


connection G	A	B	C	D	E	F	H	I	J	K	weight [app. kg]	type
G1/4"	82,5	20	42	M30x1,5	4,5	G1/8"	10,5	31	~52	40	0,2	RE01-14-0,5/-MA

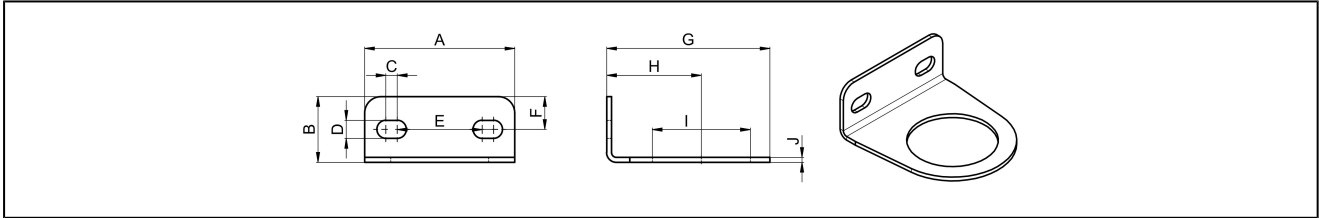
flow diagram



control characteristic



accessories



A	B	C	D	E	F	G	H	I	J	type
46	20	3,5	5,5	26	10	50	29	30	1,5	MMP01-14

illustrations are non-binding
 all designs, configurations, measurements and materials are subject to change without prior notice