

filter regulator G3/4" series Modul FR03

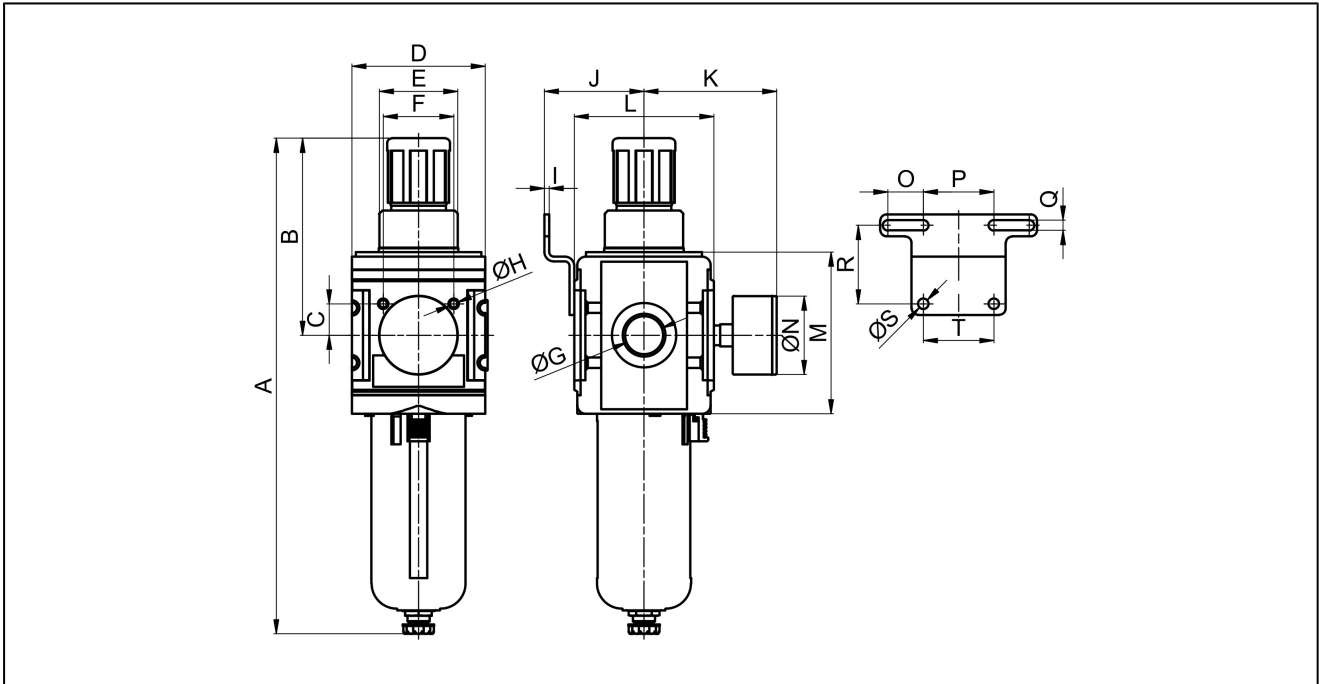


design	diaphragm pressure regulator with relieving, centrifugal filter, sinter-filterelement, semi-automatic drain valve and constant air consumption of max. 1,5NI/min
function	control of outlet pressure
detent	pressure adjustment can be arrested by pushing the turning knob
filter element	5µm
connection	G3/4" according to ISO228/1
materials	body zinc die casting, plastic bowl with protection cage polycarbonat/PA or metal, seals NBR, spring cover POM
medium	compressed air
medium temperature	with plastic bowl 0...+60°C, with metal bowl 0...+60°C (with appropriately conditioned compressed air -10...+60°C)
ambient temperature	with plastic bowl 0...+60°C, with metal bowl -10...+60°C
inlet pressure	1,5...16bar
adjustment ranges	0,1...3/0,2...6/0,5...10 and 0,5...16bar
flow direction	is marked by an arrow
type of fixing	installation in a pipe system or wall mounting with mounting bracket
mounting position	vertical, drain screw below
scope of supply	including manometer

type code

		FR03 - 34 H - 0,1/3 - P - A
connection	3/4"	34
flow rate	high flow rate	H
pressure range	0,1...3bar	0,1/3
	0,2...6bar	0,2/6
	0,5...10bar	0,5/10
	0,5...16bar	0,5/16
bowl	plastic bowl with protection cage	P
	metal bowl with transparent inspection pipe	M
drain valve	semi-automatic drain valve (blank position)	
	automatic valve for drainage of condensate	A

dimension

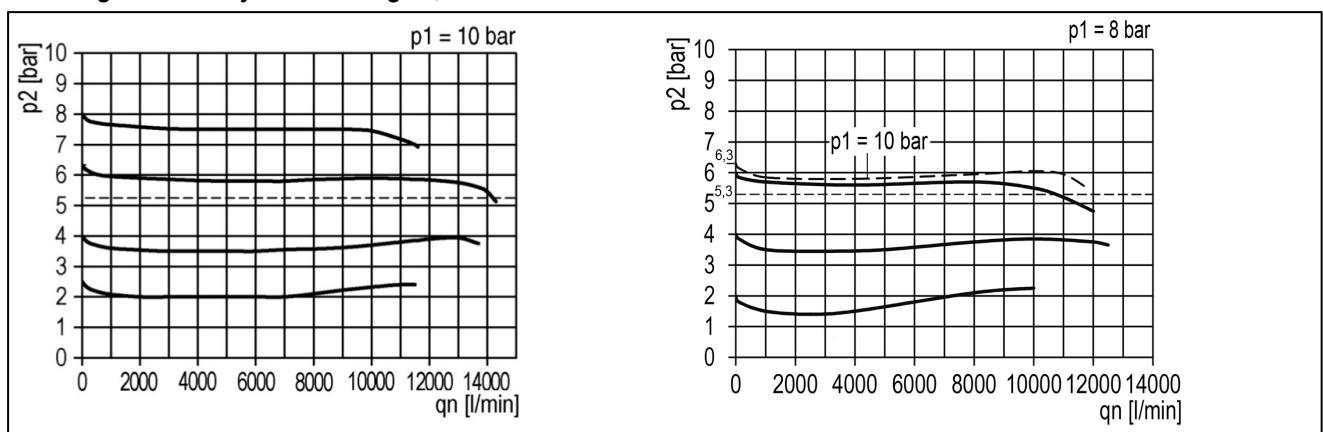


connection G	A	B	C	D	E	F	H	I	J	K	L	M	N	O	P	Q	R	S	T
G3/4"	315	125	20	85	M50x1,5	45	M6	3	63,5	84,5	89	103	50	22,5	45	6,5	50	6,5	45

connection	flow at 6,3bar* [Nl/min]	flow at 6bar* [Nl/min]	maximum inlet pressure [bar]	pressure range [bar]	weight [approx. kg]	type
G3/4"	14000	11400	16	0,1...3	1,3	FR03-34H-0,1/3-P
G3/4"	14000	11400	16	0,2...6	1,3	FR03-34H-0,2/6-P
G3/4"	14000	11400	16	0,5...10	1,3	FR03-34H-0,5/10-P
G3/4"	14000	11400	16	0,5...16	1,3	FR03-34H-0,5/16-P
G3/4"	14000	11400	16	0,1...3	1,8	FR03-34H-0,1/3-M
G3/4"	14000	11400	16	0,2...6	1,8	FR03-34H-0,2/6-M
G3/4"	14000	11400	16	0,5...10	1,8	FR03-34H-0,5/10-M
G3/4"	14000	11400	16	0,5...16	1,8	FR03-34H-0,5/16-M

see positionersee positioner

flow diagrams for adjustment range 0,5...10 bar



accessories

designation	type
mounting bracket including 2 screws	MMB03-34H/10

illustrations are non-binding
all designs, configurations, measurements and materials are subject to change without prior notice