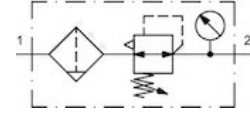


Filter regulator Series Gold FR04



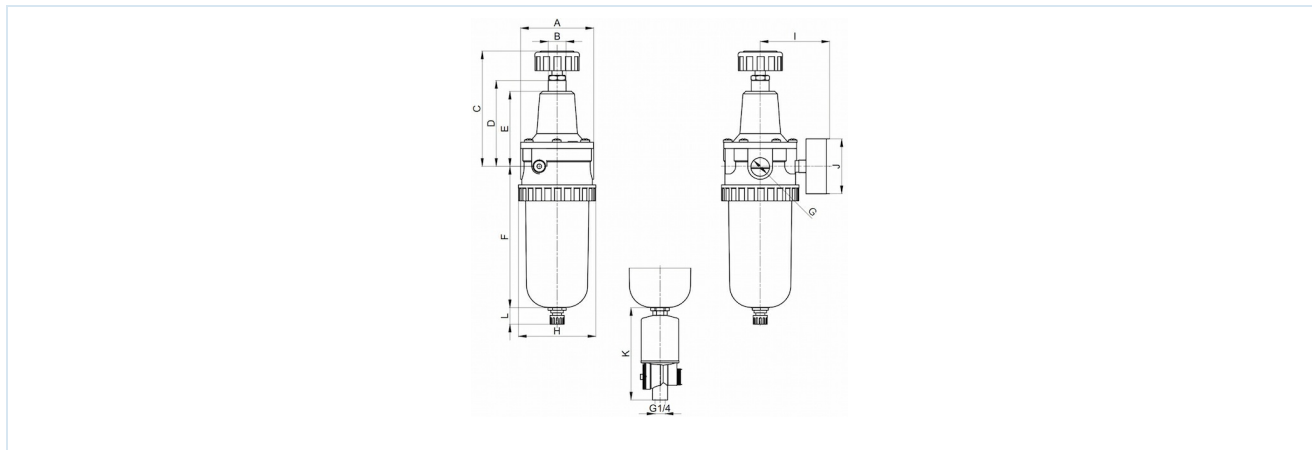
Design type	Diaphragm pressure regulator with secondary venting, Centrifugal force principle filter, Sintered filter element, semi-automatic drain valve or rather automatic drain valve
Connection	G1/4"...G3/8" according to ISO228/1
Materials	Housing Zinc die casting, Condensate reservoir Polycarbonate or Metal, Seal NBR
Function	Secondary pressure regulation and compressed air filtration
Filter element	5µm
Mounting type	Installation in piping system or Wall mounting using mounting bracket
Mounting position	vertical, Drain screw bottom
Medium	Compressed air
Medium temperature	with plastic bowl 0...+60°C, with metal bowl 0...+60°C(with appropriately conditioned compressed air - 20...+60°C)
Ambient temperature	with plastic bowl 0...+60°C, with metal bowl -20...+60°C
Inlet pressure	1,5...16bar or rather 1,5...25bar according to table, with automatic drain valve 4...12bar
Control ranges	0,5...10bar and 0,5...16bar with metal bowl (0,5...3/ 0,5...6 on request)
Flow direction	is marked by an arrow
Scope of delivery	including pressure gauge



Order code

FR04 - 14 H - 0,5/10 - P - F5 - A	
Connection	1/4" 14
	3/8" 38
Flow rate	Standard (Leave blank)
	high flow rate H
Pressure range	0,5...3bar 0,5/3
	0,5...6bar 0,5/6
	0,5...10bar 0,5/10
	0,5...16bar 0,5/16
Reservoir	Plastic reservoir (Leave blank)
	Plastic reservoir with protective cage P
	Metal container M
Filter element	5µm F5
Drain valve	semi-automatic drain valve (Leave blank)
	automatic drain valve A

Dimensional drawing



Connection G	A	B	C	D	E	F	H	I	J	K	L	Weight [approx. kg]	Type
G1/4	54	M20x1,5	106,5	72	62	116	57	60	50	104	11,5	0,8	FR04-14H-0,5/10-F5
G1/4	54	M20x1,5	106,5	72	62	116	57	60	50	104	11,5	0,8	FR04-14H-0,5/10-P-F5
G1/4	54	M20x1,5	106,5	72	62	116	57	60	50	104	14	0,9	FR04-14H-0,5/16-M-F5
G3/8"	54	M20x1,5	106,5	72	62	116	57	60	50	104	11,5	0,8	FR04-38-0,5/10-F5
G3/8"	54	M20x1,5	106,5	72	62	116	57	60	50	104	11,5	0,8	FR04-38-0,5/10-P-F5
G3/8"	54	M20x1,5	106,5	72	62	116	57	60	50	104	14	0,8	FR04-38-0,5/16-M-F5

Connection	Flow rate at 6 bar* [Nl/min]	max. inlet pressure [bar]	Pressure range [bar]	Type
G1/4"	900	16	0,5...10	FR04-14H-0,5/10-F5
G1/4"	900	16	0,5...10	FR04-14H-0,5/10-P-F5
G1/4"	900	25	0,5...16	FR04-14H-0,5/16-M-F5
G3/8"	900	16	0,5...10	FR04-38-0,5/10-F5
G3/8"	900	16	0,5...10	FR04-38-0,5/10-P-F5
G3/8"	900	25	0,5...16	FR04-38-0,5/16-M-F5

*Flow rate data at an inlet pressure of 8 bar, an outlet pressure of 6 bar and a pressure drop of 1 bar



Flow diagram



Accessories

Designation	Type
Holding angle bracket with neck nut M20x1,5	MMP04-14H/12

Illustrations non-binding
Design, dimensional and material changes reserved

[Pneumatics](#) / [Regulators, filters and lubricators](#) / [Maintenance devices - series Gold](#) / [Filter regulator Series Gold FR04-P](#) / [\[FR04-38-0,5/10-P-F5\] Filter regulator FR04-38-0,5/10-P-F5](#)

