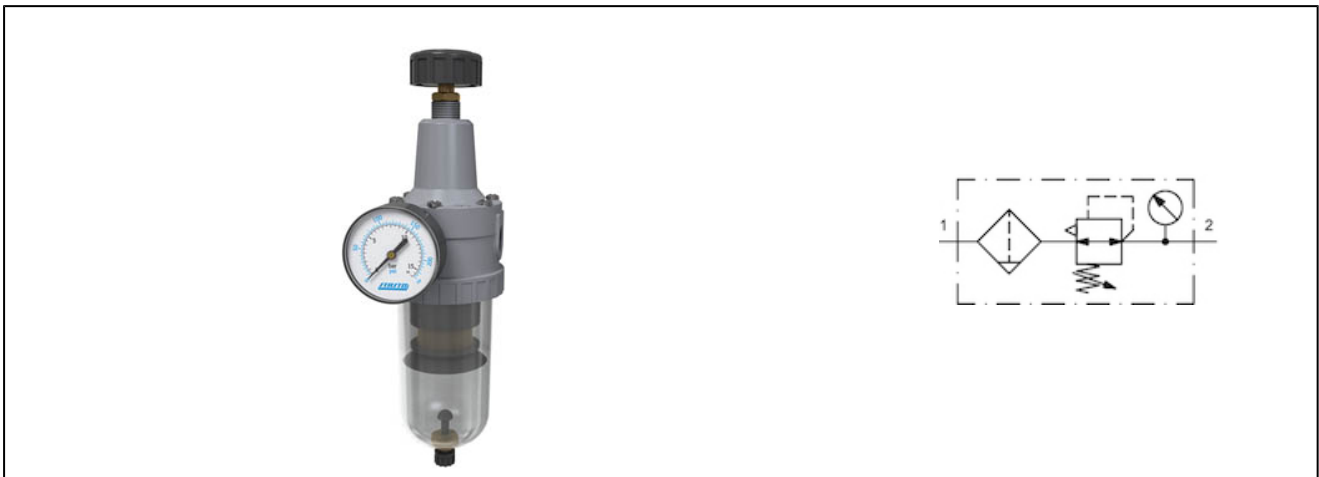


filter regulator series Gold FR04

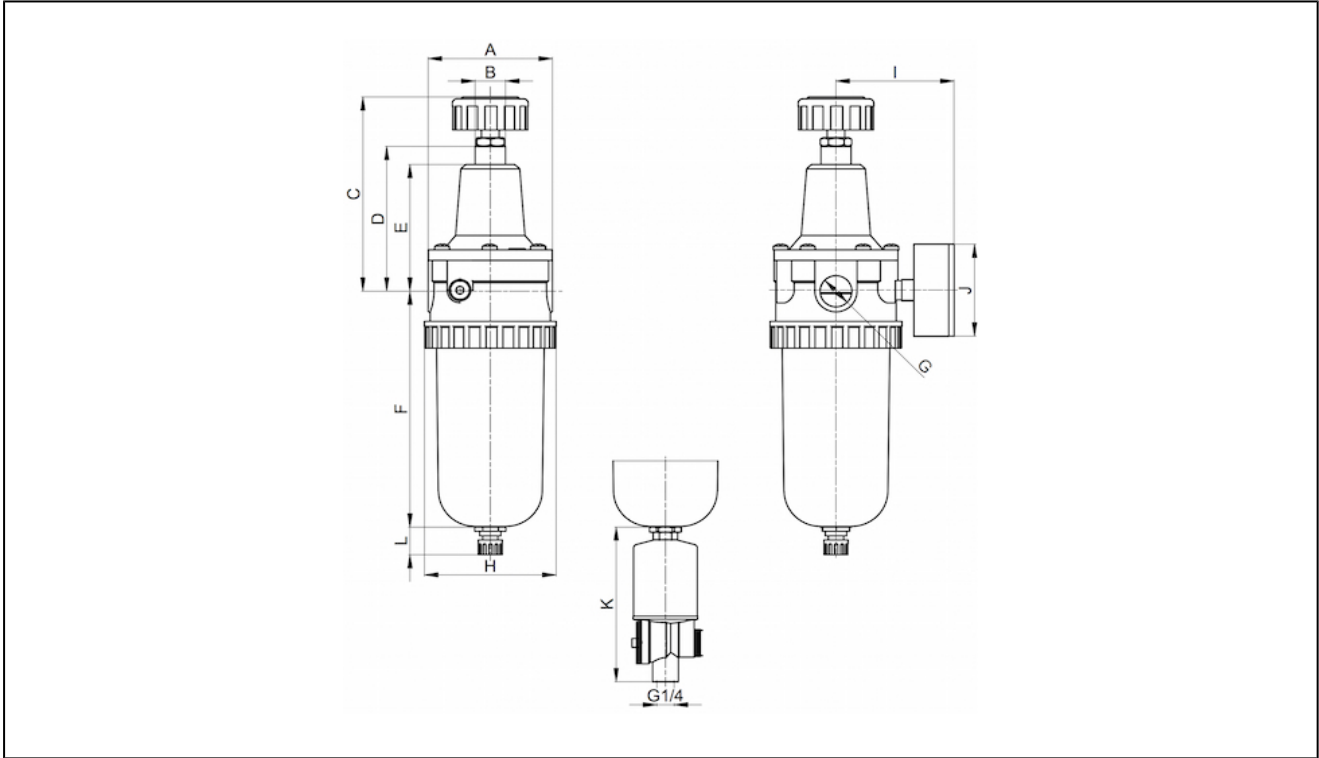


design	diaphragm pressure regulator with relieving, centrifugal filter, sinter-filterelement drain valve: filter regulator with plastic bowl respectively with protection cage semi-automatic drain valve, with metal bowl manual drain valve
connection	G1/2" according to ISO228/1
materials	body zinc die casting, condensate bowl polycarbonat or metal, seal NBR
function	control of outlet pressure and filtration of compressed air
filter element	5µm
type of fixing	installation in a pipe system or wall mounting with mounting bracket
mounting position	vertical, drain valve below
medium	compressed air
medium temperature	with plastic bowl 0...+60°C, with metal bowl 0...+60°C (with appropriately conditioned compressed air -20...+60°C)
ambient temperature	with plastic bowl 0...+60°C, with metal bowl -20...+60°C
inlet pressure	1,5...16bar respectively 1,5...25bar according to table, with automatic drainage valve 4...16bar
adjustment ranges	0,5...10bar and 0,5...16bar with metal bowl (0,5...3/ 0,5...6 on request)
flow direction	is marked by an arrow
scope of supply	including manometer

order code

		FR04 - 12 H - 0,5/10 - P - F5 - A	
connection	1/2"	12	
flow rate	high flow rate	H	
pressure range	0,5...3bar		0,5/3
	0,5...6bar		0,5/6
	0,5...10bar		0,5/10
	0,5...16bar		0,5/16
bowl	plastic bowl (blank position)		
	plastic bowl with protection cage		P
	metal bowl		M
filter element	5µm		F5
drain valve	semi-automatic drain valve (blank position)		
	automatic valve for drainage of condensate		A

dimension

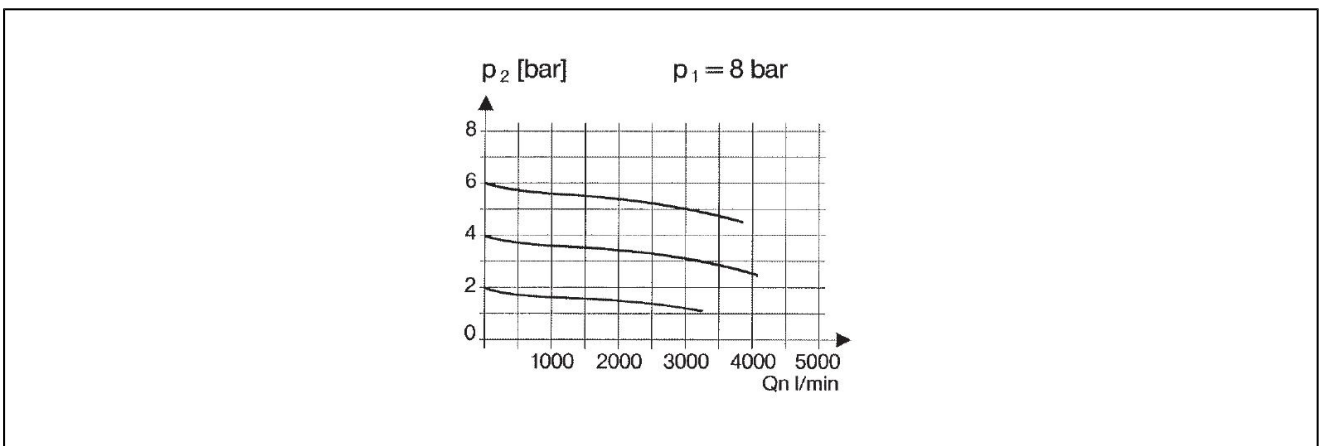


connection G	A	B	C	D	E	F	H	I	J	K	L	weight [approx. kg]	type
G1/2"	82	M20x1,5	131	98	85	159	87	78	63	104	11,5	1,7	FR04-12H-0,5/10-F5
G1/2"	82	M20x1,5	131	98	85	159	87	78	63	104	11,5	1,8	FR04-12H-0,5/10-P-F5
G1/2"	82	M20x1,5	131	98	85	159	87	78	63	104	14	1,8	FR04-12H-0,5/10-M-F5

connection	flow at 6bar* [Nl/min]	maximum inlet pressure [bar]	pressure range [bar]	type
G1/2"	3000	16	0,5...10	FR04-12H-0,5/10-F5
G1/2"	3000	16	0,5...10	FR04-12H-0,5/10-P-F5
G1/2"	3000	25	0,5...16	FR04-12H-0,5/10-M-F5

*flow rate at input pressure of 8bar, output pressure of 6bar and 1bar pressure drop

flow diagram



accessories

designation	type
mounting bracket with neck nut M20x1,5	MMP04-38/10

illustrations are for information only and are non-binding
all designs, configurations, measurements and materials are subject to change without prior notice