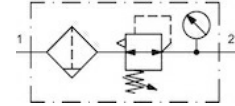


Filter regulator Series Gold FR04



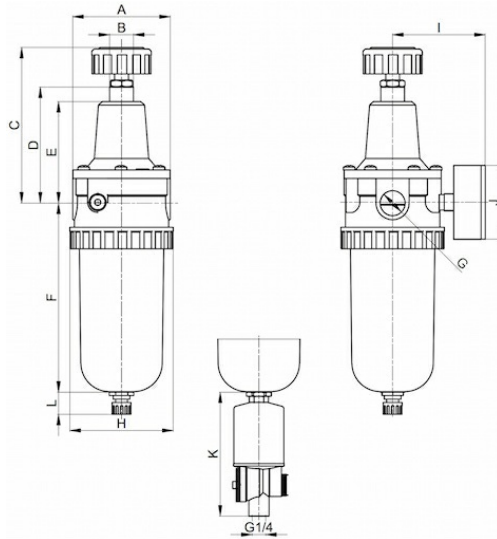
Design type	Diaphragm pressure regulator with secondary venting, Centrifugal force principle filter, Sintered filter element Drain valve: Filter regulator with plastic bowl or rather with protective cage semi-automatic drain valve, with metal bowl Manual drain valve
Connection	G1/2" according to ISO228/1
Materials	Housing Zinc die casting, Condensate reservoir Polycarbonate or Metal, Seal NBR
Function	Secondary pressure regulation and compressed air filtration
Filter element	5µm
Mounting type	Installation in piping system or Wall mounting using mounting bracket
Mounting position	vertical, Drain valve bottom
Medium	Compressed air
Medium temperature	with plastic bowl 0...+60°C, with metal bowl 0...+60°C(with appropriately conditioned compressed air - 20...+60°C)
Ambient temperature	with plastic bowl 0...+60°C, with metal bowl -20...+60°C
Inlet pressure	1,5...16bar or rather 1,5...25bar according to table, with automatic drain valve 1,5...16bar
Control ranges	0,5...10bar and 0,5...16bar with metal bowl (0,5...3/ 0,5...6 on request)
Flow direction	is marked by an arrow
Scope of delivery	including pressure gauge



Order code

		FR04 - 12 H - 0,5/10 - P - F5 - A									
Connection	1/2"	12									
Flow rate	high flow rate	H									
Pressure range	0,5...3bar		0,5/3								
	0,5...6bar		0,5/6								
	0,5...10bar		0,5/10								
	0,5...16bar		0,5/16								
Reservoir	Plastic reservoir (Leave blank)										
	Plastic reservoir with protective cage								P		
	Metal container								M		
Filter element	5µm									F5	
Drain valve	semi-automatic drain valve (Leave blank)										
	automatic drain valve										A1

Dimensional drawing



Connection G	A	B	C	D	E	F	H	I	J	K	L	Weight [approx. kg]	Type
G1/2"	82	M20x1,5	131	98	85	159	87	78	63	104	11,5	1,7	FR04-12H-0,5/10-F5
G1/2"	82	M20x1,5	131	98	85	159	87	78	63	104	11,5	1,8	FR04-12H-0,5/10-P-F5
G1/2"	82	M20x1,5	131	98	85	159	87	78	63	104	14	1,8	FR04-12H-0,5/10-M-F5

Connection	Flow rate at 6 bar* [Nl/min]	max. inlet pressure [bar]	Pressure range [bar]	Type
G1/2"	3000	16	0,5...10	FR04-12H-0,5/10-F5
G1/2"	3000	16	0,5...10	FR04-12H-0,5/10-P-F5
G1/2"	3000	25	0,5...16	FR04-12H-0,5/10-M-F5

*Flow rate data at an inlet pressure of 8 bar, an outlet pressure of 6 bar and a pressure drop of 1 bar



Flow diagram



Accessories

Designation	Type
Holding angle bracket with neck nut M20x1,5	MMP04-38/10

Illustrations non-binding
Design, dimensional and material changes reserved

[Pneumatics](#) / [Regulators, filters and lubricators](#) / [Maintenance devices - series Gold](#) / [Filter regulator Series Gold FR04-M](#) / [\[FR04-12H-0,2/6-M-F5\] Filter regulator FR04-12H-0,2/6-M-F5](#)

