

## Filter regulator Series Gold FR04



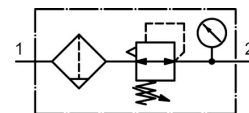
Plastic reservoir



Protective cage



Metal container

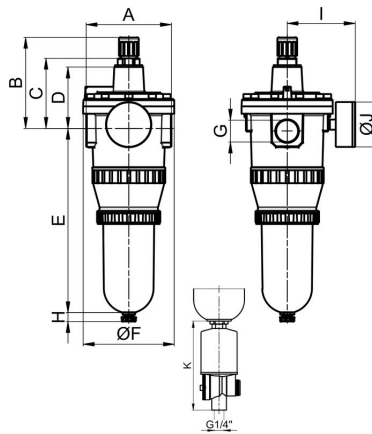


Design type	Diaphragm pressure regulator with secondary venting, Centrifugal force principle filter, Sintered filter element Drain valve: Filter regulator with plastic bowl or rather with protective cage semi-automatic drain valve, with metal bowl Manual drain valve
Connection	G3/4"...G1" according to ISO228/1
Materials	Housing Zinc die casting, Condensate reservoir Polycarbonate or Metal, Seals NBR
Function	Secondary pressure regulation and compressed air filtration
Filter element	40µm
Mounting type	Installation in piping system or Wall mounting using mounting bracket
Mounting position	vertical, Drain valve bottom
Medium	Compressed air
Medium temperature	with plastic bowl 0...+60°C, with metal bowl 0...+60°C (with appropriately conditioned compressed air -20...+60°C)
Ambient temperature	with plastic bowl 0...+60°C, with metal bowl -20...+60°C
Inlet pressure	1,5...16bar or rather 1,5...25bar according to table, with automatic drain valve 1,5...16bar
Control ranges	0,5...10bar and 0,5...16bar with metal bowl (0,5...3/ 0,5...6 on request)
Flow direction	is marked by an arrow
Scope of delivery	including pressure gauge



## Type code

FR04 - 34 H - 0,5/10 - P - A	
	3/4" 34
<b>Connection</b>	1" 10
<b>Flow rate</b>	high flow rate H
<b>Pressure range</b>	0,5...3bar 0,5/3
	0,5...6bar 0,5/6
	0,5...10bar 0,5/10
	0,5...16bar 0,5/16
<b>Reservoir</b>	Plastic reservoir (Leave blank)
	Plastic reservoir with protective cage P
	Metal container M
<b>Drain valve</b>	semi-automatic drain valve (Leave blank)
	automatic drain valve A1



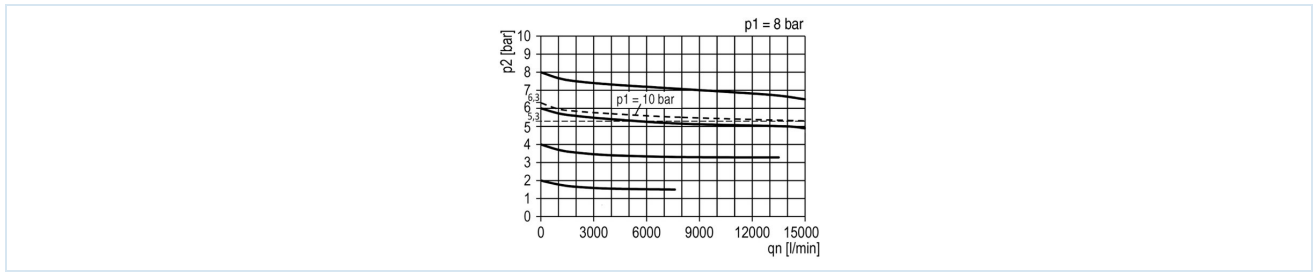
Connection G	A	B	C	D	E	ØF	H	I	ØJ	K	Weight [approx. kg]	Type
G3/4"	129	129	100	88	250	125	13	93	63	104	3,1	FR04-34H-0,5/10
G3/4"	129	129	100	88	250	125	13	93	63	104	3,3	FR04-34H-0,5/10-P
G3/4"	129	129	100	88	250	125	13	93	63	104	3,2	FR04-34H-0,5/10-M
G1"	117	129	100	88	250	125	13	93	63	104	3,0	FR04-10H-0,5/10
G1"	117	129	100	88	250	125	13	93	63	104	3,2	FR04-10H-0,5/10-P
G1"	117	129	100	88	250	125	13	93	63	104	3,1	FR04-10H-0,5/10-M

Connection	Flow rate* [NI/min]	max. inlet pressure [bar]	Pressure range [bar]	Type
G3/4"	12000	16	0,5...10	FR04-34H-0,5/10-P
G3/4"	12000	25	0,5...16	FR04-34H-0,5/10-M
G1"	12000	16	0,5...10	FR04-10H-0,5/10
G1"	12000	16	0,5...10	FR04-10H-0,5/10-P
G1"	12000	25	0,5...16	FR04-10H-0,5/10-M

\*Flow rate data at an inlet pressure of 8 bar, an outlet pressure of 6 bar and a pressure drop of 1 bar



## Flow diagram



## Accessories

Designation	Type
Holding angle	MMP04-34/112

Illustrations non-binding

Design, dimensional and material changes reserved

Pneumatics / Regulators, filters and lubricators / Other materials - P07 / Filter regulator Series Gold FR04-M / [FR04-10H-0,5/10-M] Filter regulator FR04-10H-0,5/10-M

