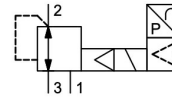


Proportional pressure regulator Series RE62/RE63



Design type	Electropneumatic diaphragm pressure regulator, pilot-operated via 2/2-way Solenoid valves, 3-digit digital display, Display switchable bar, MPa, PSI
Connection	G1/4"...G1/2" according to ISO228/1
Materials	Housing Aluminium, Seals NBR
Function	Secondary pressure regulation
Mounting type	Installation in piping system, Foot mounting or Mounting bracket for wall mounting
Mounting position	any
Medium	filtered and non-lubricated compressed air or neutral gases
Medium temperature	0...+50°C
Ambient temperature	0...+50°C
Hysteresis	0,5% from the final value
Linearity	±1% from the final value
Repeatability	±0,5% from the final value
Temperature influence	±2% from the final value
Accuracy Display	±2% from the final value
Control time	< 0,5s over the control range
Special versions	Connection NPT, 4 preset regulated pressures via 2 switching inputs
Accessories	Appliance socket C012-41-CU20-9, Mountings

Pneumatic characteristics:

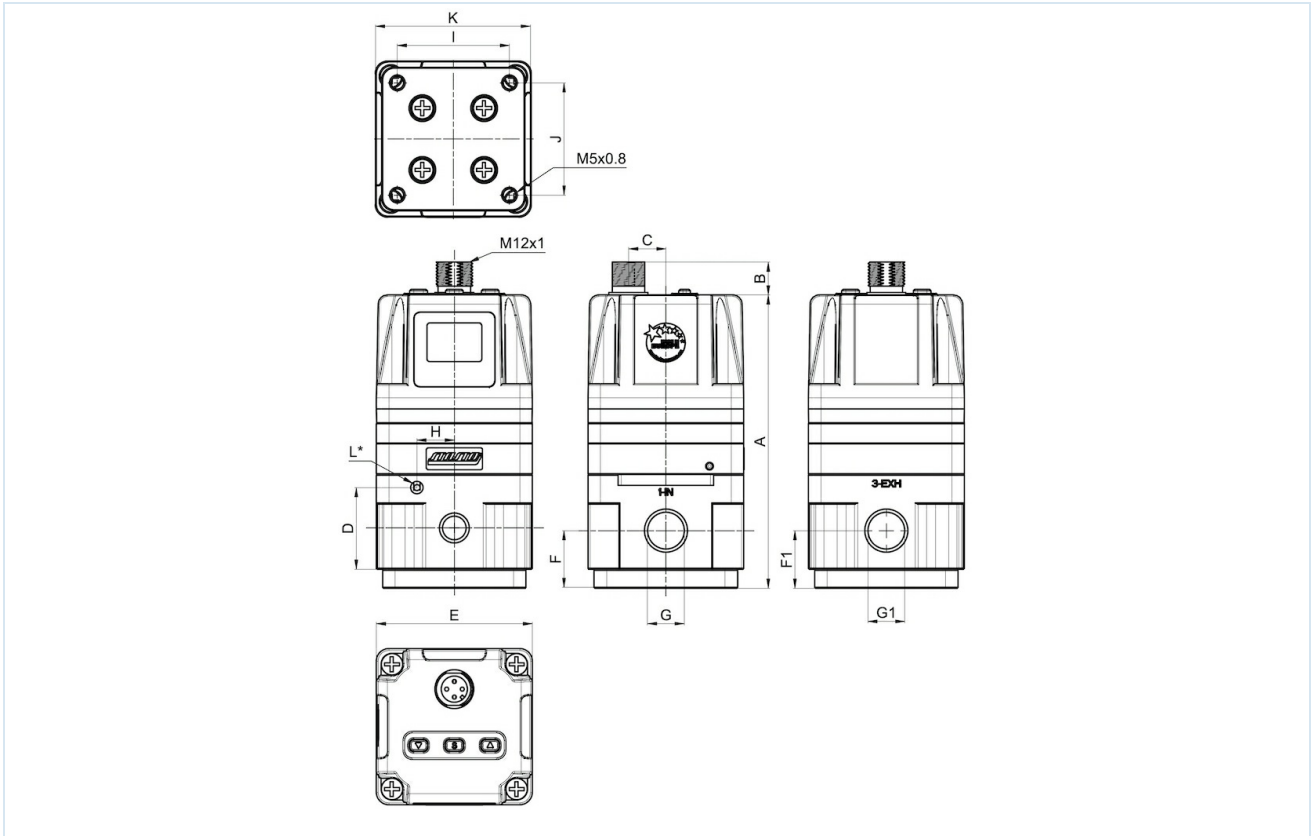
Inlet pressure	max. 10bar, at least 1 bar higher than the maximum regulated pressure
Control ranges	0,05...1 / 0,05...5 / 0,05...9bar
Self air consumption	no self-air consumption

Electrical data:

Degree of protection	IP65 according to EN 60529 with correctly mounted device connector (protection against dust ingress and water jets)
Supply voltage	24VDC ±10%
Power consumption	3W
Input signal	RE62 4...20mA, RE63 0...10V (0...20mA, 0...5V on request)
Output signal	4...20mA (1...5V, Switching output PNP or NPN on request)
Burden	6,5KΩ with voltage actuation 250Ω with electrical actuation
Connection	M12, 4-pin



Dimensions



Connection IN/OUT G	Connection EXH G1	A	B	C	D	E	F	F1	H	I	J	K	L*	Weight [approx. kg]	Type	Type
G1/4"	G1/8"	69,8	10,5	12	19	50	11,4	11,4	14	40	22	50	M3		RE62-14	RE63-14
G1/4"	G1/4"	94	10,5	12	32,3	50	19	19	12	36	36	50	M5		RE62-14H	RE63-14H
G1/2"	G1/2"	115,3	10,5	12	65,6	50	22	25	14	36	36	66	M5		RE62-12	RE63-12

*Exhaust air venting Pilot air

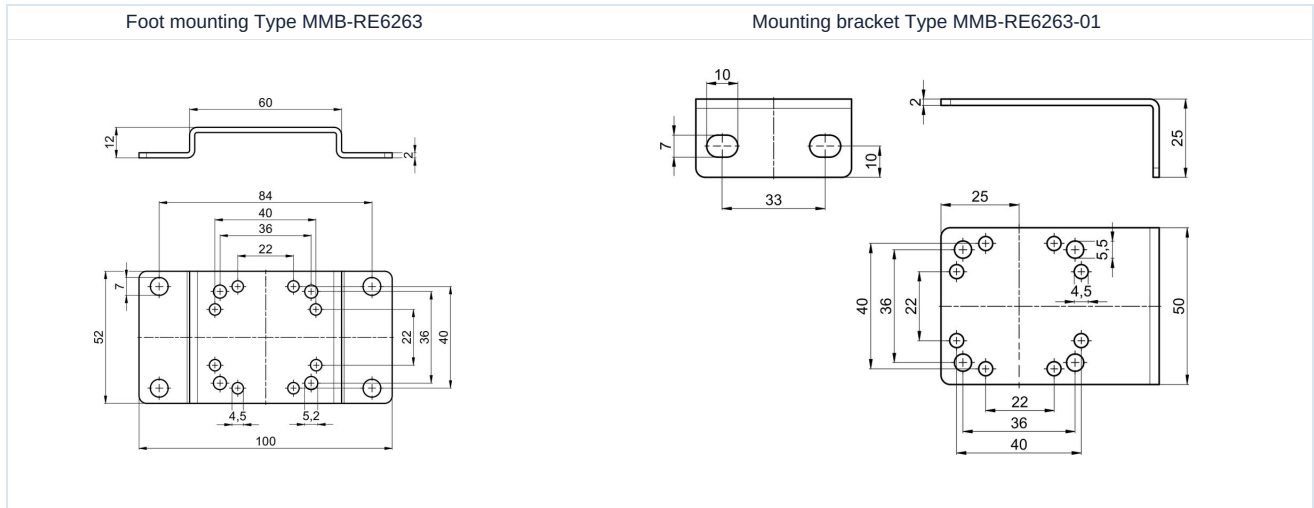
Type RE62, RE63

Thread	Pressure range [bar]	Flow rate* [NI/min]	Type	Type
G1/4"	0,05...1	300	RE62-14-0,05/1	RE63-14-0,05/1
G1/4"	0,05...5	300	RE62-14-0,05/5	RE63-14-0,05/5
G1/4"	0,05...9	300	RE62-14-0,05/9	RE63-14-0,05/9
G1/4"	0,05...1	1600	RE62-14H-0,05/1	RE63-14H-0,05/1
G1/4"	0,05...5	1600	RE62-14H-0,05/5	RE63-14H-0,05/5
G1/4"	0,05...9	1600	RE62-14H-0,05/9	RE63-14H-0,05/9
G1/2"	0,05...1	6000	RE62-12-0,05/1	RE63-12-0,05/1
G1/2"	0,05...5	6000	RE62-12-0,05/5	RE63-12-0,05/5
G1/2"	0,05...9	6000	RE62-12-0,05/9	RE63-12-0,05/9

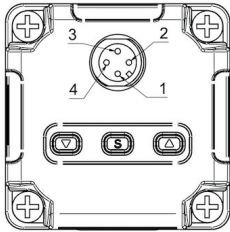
*Flow rates at an inlet pressure of 10 bar, an outlet pressure of 6 bar and a pressure drop of 1 bar



Accessories

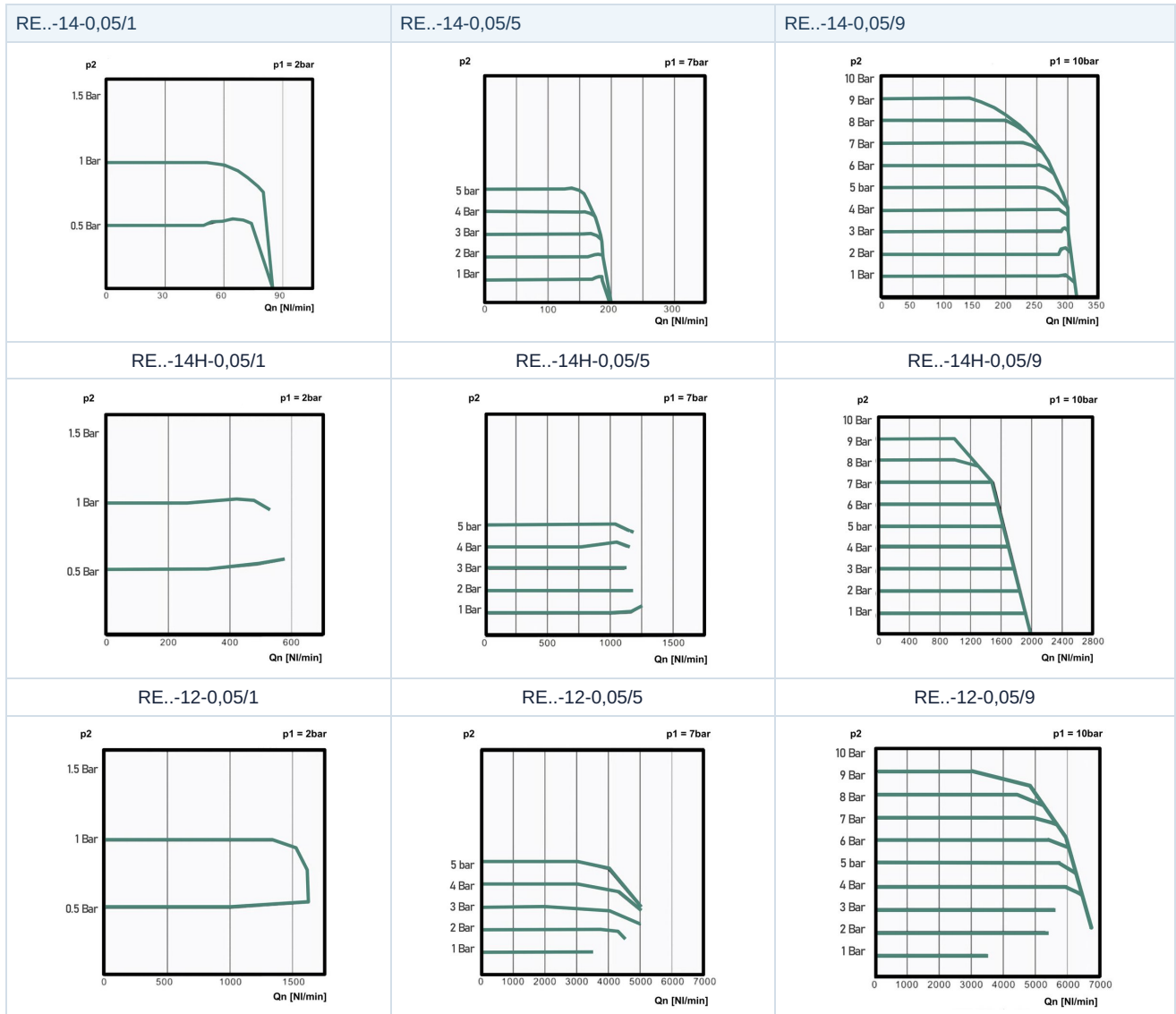


Connection diagram, Core colors Socket M12x1 including cable 2m Type C012-41-CU20-9

	Description	5-core	Pin
	V+ Supply	brown	1
	Input signal +	white	2
	V- Supply, Input signal -, Output signal -	blue	3
	Output signal +	black	4



Flow diagrams



Illustrations non-binding
 Design, dimensional and material changes reserved

Pneumatics / Regulators, filters and lubricators / Special pressure regulators / Proportional pressure regulating valve Series RE63