

Positioner Series EP0S SIPART PS2



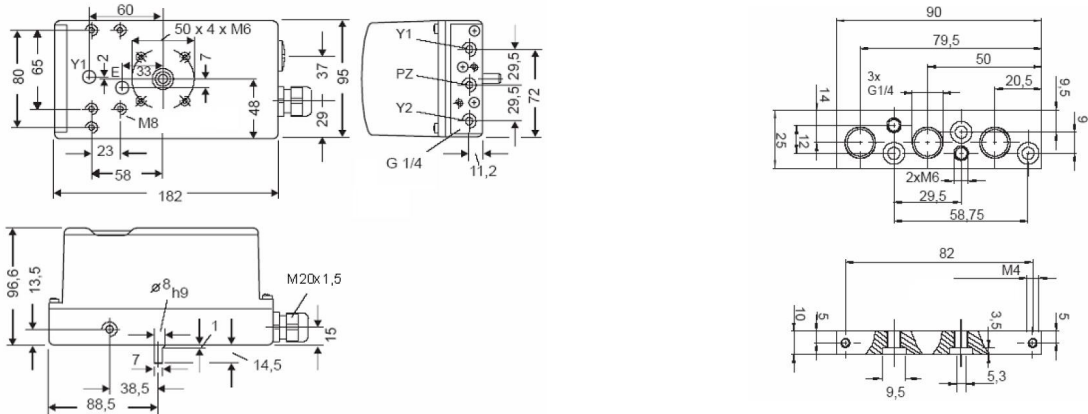
Design type	electropneumatic positioner with integrated microcontroller and display
Connection	pneumatic: G1/4" electrical: 2-wire or 4-wire connection
Materials	Plastic/Aluminium
Function	<p>The positioner is a digital field device and, in conjunction with an actuator, forms a control system. The current position of the actuator is detected via a potentiometer and fed back as the actual value. Setpoint and actual value are displayed simultaneously on the display.</p> <p>Automatic commissioning: Using a configuration menu, the SIPART PS2 can be adapted to the valve and calibrated via an automatic commissioning function. During initialization, the microcontroller determines the zero point, end value, direction of action and actuator speed of the valve. From this, it determines the minimum pulse time and the dead zone and thus optimizes the control.</p>
Actuation types	single- and double-acting rotary actuators
Control medium	Compressed air Solid particle class 2, Water content class 2 and Oil content class 2
Operating pressure	1,4...7bar
Self air consumption	negligible in the controlled steady state
Auxiliary power supply, electrical	18 up to 35V DC with 4-wire connection 0/4 up to 20mA with 2-wire connection 11,5mA with supply via PROFIBUS PA
Burden voltage	4-wire connection 3,5V at 20mA 2-wire connection 6,2V at 20mA
Control signal	0/4 up to 20mA
Positioning accuracy	< 1%
Ambient temperature	-30...+80°C, Ex version -30...+50°C, (-40...+80°C on request)
Pressure port	G1/4"
Degree of protection	IP66 according to EN 60529
Approvals	Devices with explosion protection ATEX II 2G EEx ia II C T6/T4, FM (Factory Mutual), CSA, SIL2 and others on request
Accessories	Alarm outputs or fault signal outputs (optionally with slot sensors), End position feedback slot sensors type P&F, Pressure gauge block and Position feedback 4 - 20mA



Type code

EP0S 10	-Z	A	M	-EX
10 for single-acting actuators	P Position feedback 4-20mA	A Alarm module	M Pressure gauge block	EX Explosion protection
11 for double-acting actuators	Z Placeholder	E Limit switch-SIA	Z Placeholder	
12 for single-acting actuators, HART		M Microswitch		
13 for double-acting actuators, HART		Z Placeholder		
14 for single-acting actuators, PROFIBUS PA				
15 for double-acting actuators, PROFIBUS PA				

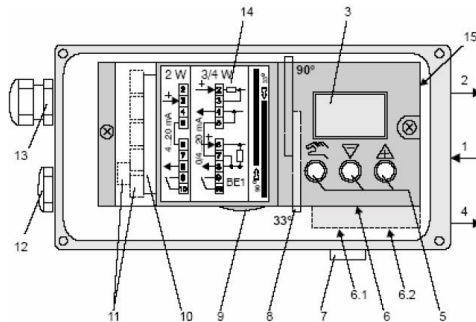
Dimensions



Housing

Terminal strip

Device components



1 Inlet: Supply air	6.1 Throttle valve Y1 for double-acting actuators	11 Connection terminals option modules
2 Output: Control pressure Y1	6.2 Throttle valve Y2 for double-acting actuators	12 Blanking plug
3 Display	7 Silencer	13 Cable gland
4 Output: Control pressure Y2*	8 Gear ratio changeover switch	14 Terminal label on cover
5 Operating buttons	9 Adjustment wheel slip clutch	15 Purge air changeover valve
6 Throttle valve Y1 for single-acting actuators	10 Base PCB	

Illustrations non-binding
Design, dimensional and material changes reserved

Armatures / Ball valves - automatically operated / Accessories / Mounted positioner

Version 4

138027 / Generated 2026/23 EN

MADE IN EUROPE

+43 512 52076
austria@stasto.eu
© STASTO Automation KG

www.stasto.com

Open series online
Page 2 / 2

