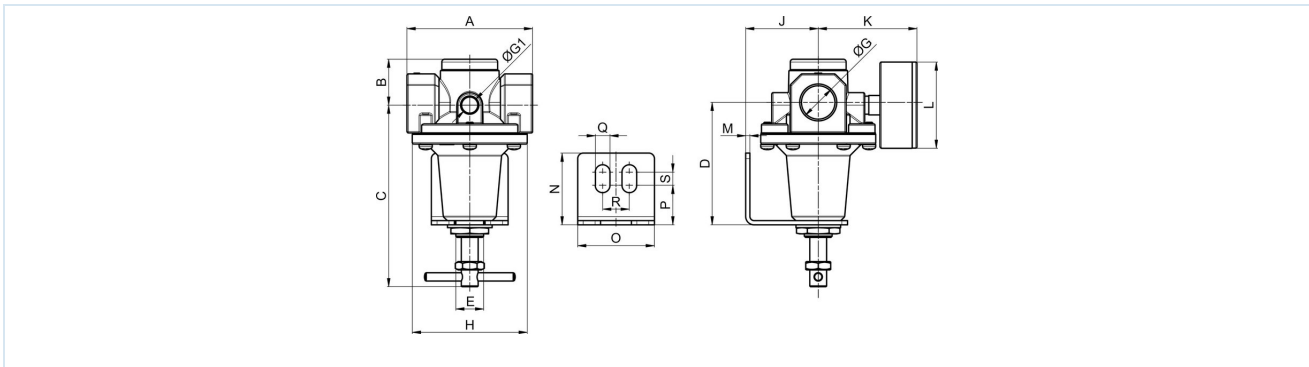


High-pressure regulator G1/4" ... G1 1/2" Series RE78



Design type	High pressure-Diaphragm pressure regulator with secondary exhaust air release
Connection	G1/4" ... G1 1/2" according to ISO228/1
Materials	Housing and spring bonnet: G1/4" ... G3/8" Zinc die casting, G1/2" ... G1" Aluminium, G1 1/4" ... G1 1/2" Aluminium/Brass, Seals NBR
Function	Secondary pressure regulation
Mounting position	any
Medium	filtered compressed air
Medium temperature	0...+60°C, (with appropriately conditioned compressed air -10...+60 °C)
Ambient temperature	-10...+80°C
Inlet pressure	max. 40bar
Control ranges	0,1...3 / 0,2...6 / 0,5...10 / 0,5...16 and 0,5...25bar
Flow direction	is marked by an arrow
Scope of delivery	including pressure gauge

Dimensional drawing G1/4" ... G1/2"



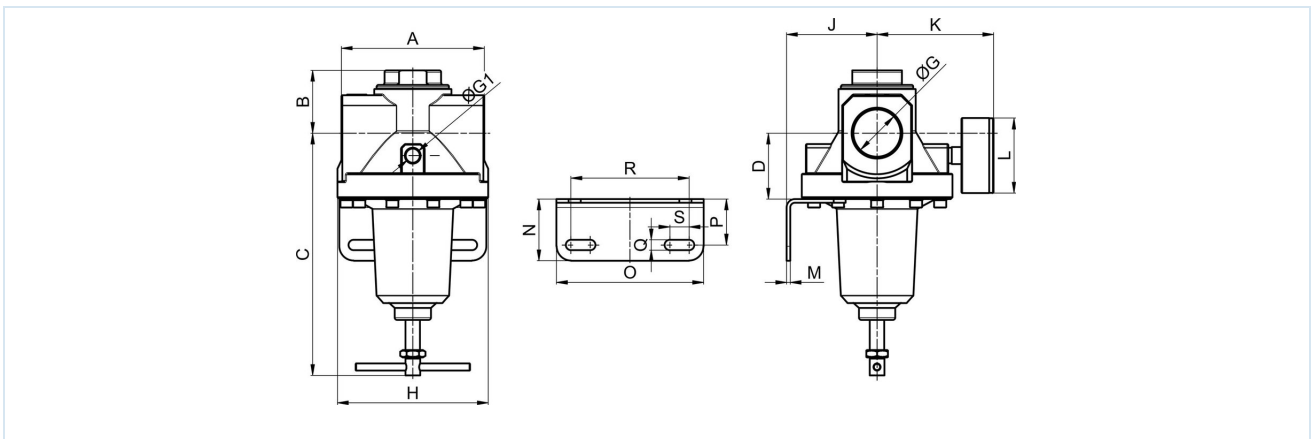
Connection	A	B	E	G1	H	J	K	L	M	N	O	P	Q	R	S
G1/4"	64	30	M20x1,5	1/4"	50	36	67	50	3	32	35	7	6	21	18
G3/8"	54	30	M20x1,5	1/4"	50	36	67	50	3	32	35	7	6	21	18
G1/2"	70	34	M20x1,5	1/4"	67	35	72	50	3	32	35	7	6	21	18



Connection	C	D	Flow rate at 6 bar* [Nl/min]	Inlet pressure [bar]	Pressure range [bar]	Weight [approx. kg]	Type
G1/4"	104	65	1750	40	0,1...3	0,6	RE78-14H-0,1/3-MA
G1/4"	104	65	1750	40	0,2...6	0,6	RE78-14H-0,2/6-MA
G1/4"	104	65	1750	40	0,5...10	0,6	RE78-14H-0,5/10-MA
G1/4"	104	65	1750	40	0,5...16	0,6	RE78-14H-0,5/16-MA
G1/4"	93	65	1750	40	0,5...25	0,6	RE78-14H-0,5/25-MA
G3/8"	104	65	1750	40	0,1...3	0,6	RE78-38H-0,1/3-MA
G3/8"	104	65	1750	40	0,2...6	0,6	RE78-38H-0,2/6-MA
G3/8"	104	65	1750	40	0,5...10	0,6	RE78-38H-0,5/10-MA
G3/8"	104	65	1750	40	0,5...16	0,6	RE78-38H-0,5/16-MA
G3/8"	93	65	1750	40	0,5...25	0,6	RE78-38H-0,5/25-MA
G1/2"	119	78	2200	40	0,1...3	0,8	RE78-12-0,1/3-MA
G1/2"	119	78	2200	40	0,2...6	0,8	RE78-12-0,2/6-MA
G1/2"	119	78	2200	40	0,5...10	0,8	RE78-12-0,5/10-MA
G1/2"	119	78	2200	40	0,5...16	0,8	RE78-12-0,5/16-MA
G1/2"	119	78	2200	40	0,5...25	0,8	RE78-12-0,5/25-MA

*Flow rate data at an inlet pressure of 8 bar, an outlet pressure of 6 bar and a pressure drop of 1 bar

Dimensional drawing G3/4"...G1 1/2"



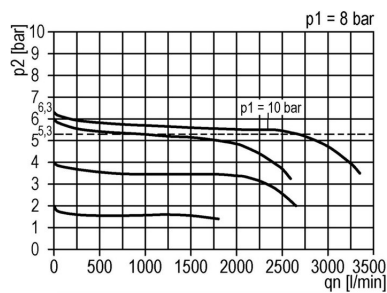
Connection	A	B	G1	H	J	K	L	M	N	O	P	Q	R	S
G3/4"	129	48	1/4"	125	75	97	63	3	51	122	38	8,4	98	16
G1"	117	48	1/4"	125	75	97	63	3	51	122	38	8,4	98	16
G1 1/4"	139	52	1/4"	125	75	97	63	3	51	122	38	8,4	98	16
G1 1/2"	119	52	1/4"	125	75	97	63	3	51	122	38	8,4	98	16



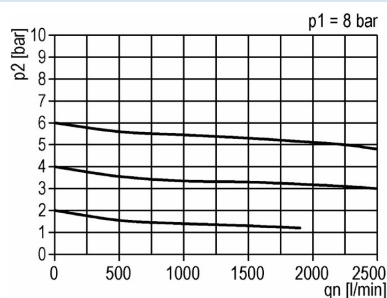
Connection	C	D	Flow rate at 6 bar* [Nl/min]	Inlet pressure [bar]	Pressure range [bar]	Weight[approx. kg]	Type
G3/4"	190	45	1000	40	0,1...3	2,3	RE78-34H-0,1/3-MA
G3/4"	190	45	11000	40	0,2...6	2,3	RE78-34H-0,2/6-MA
G3/4"	190	45	11000	40	0,5...10	2,3	RE78-34H-0,5/10-MA
G3/4"	190	45	11000	40	0,5...16	2,3	RE78-34H-0,5/16-MA
G3/4"	203	45	15000	40	0,5...25	2,3	RE78-34H-0,5/25-MA
G1"	190	45	11000	40	0,1...3	2,3	RE78-10H-0,1/3-MA
G1"	190	45	11000	40	0,2...6	2,3	RE78-10H-0,2/6-MA
G1"	190	45	11000	40	0,5...10	2,3	RE78-10H-0,5/10-MA
G1"	190	45	11000	40	0,5...16	2,3	RE78-10H-0,5/16-MA
G1"	203	45	15000	40	0,5...25	2,3	RE78-10H-0,5/25-MA
G1 1/4"	203	56	16500	40	0,1...3	2,6	RE78-114H-0,1/3-MA
G1 1/4"	203	56	16500	40	0,2...6	2,6	RE78-114H-0,2/6-MA
G1 1/4"	203	56	16500	40	0,5...10	2,6	RE78-114H-0,5/10-MA
G1 1/4"	203	56	16500	40	0,5...16	2,6	RE78-114H-0,5/16-MA
G1 1/4"	218	56	31500	40	0,5...25	5,8	RE78-114H-0,5/25-MA
G1 1/2"	203	56	16500	40	0,1...3	2,6	RE78-112H-0,1/3-MA
G1 1/2"	203	56	16500	40	0,2...6	2,6	RE78-112H-0,2/6-MA
G1 1/2"	203	56	16500	40	0,5...10	2,6	RE78-112H-0,5/10-MA
G1 1/2"	203	56	16500	40	0,5...16	2,6	RE78-112H-0,5/16-MA
G1 1/2"	218	56	31500	40	0,5...25	5,8	RE78-112H-0,5/25-MA

*Flow rate data at an inlet pressure of 8 bar, an outlet pressure of 6 bar and a pressure drop of 1 bar

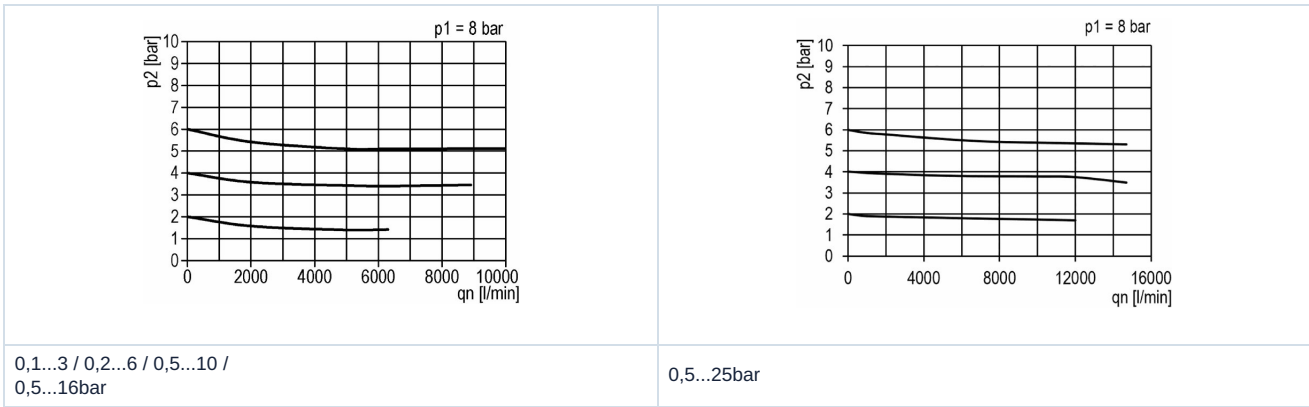
Flow diagram G1/4" ...G3/8"



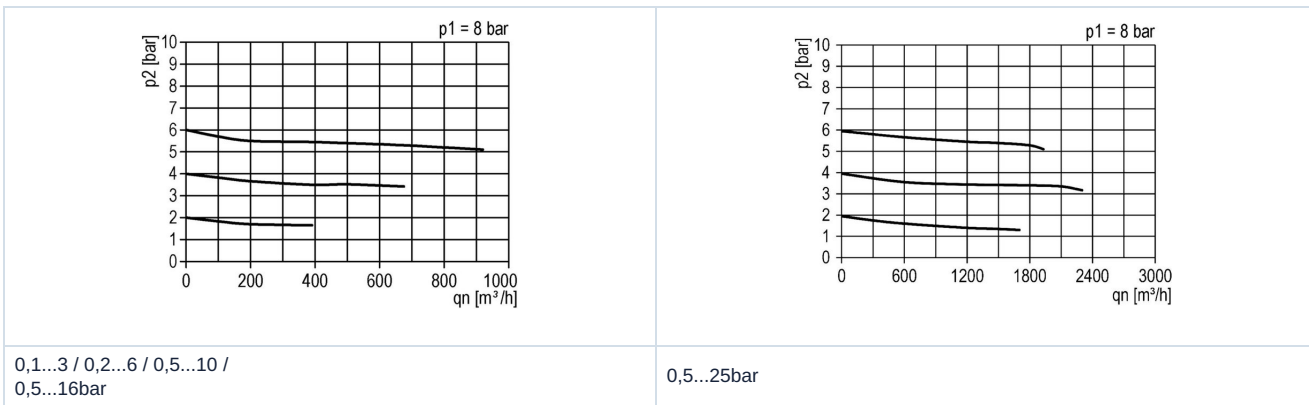
Flow diagram G1/2"



Flow diagram G3/4" ...G1"



Flow diagram G1 1/4" ...G1 1/2"



Accessories

Designation	suitable for Dimensions	Type
Holding angle bracket with neck nut M20x1,5	G1/4" bis G1/2"	MMP78-14H/12
Holding angle	G3/4" bis G1 1/2"	MMB78-34H/112

Illustrations non-binding
Design, dimensional and material changes reserved

Pneumatics / Regulators, filters and lubricators / Maintenance devices - series Gold / Pressure regulator Series Gold RE78

