

Angle bulkhead fitting Series C-WSV



Basic body with nut and cutting ring



B4-Cutting ring

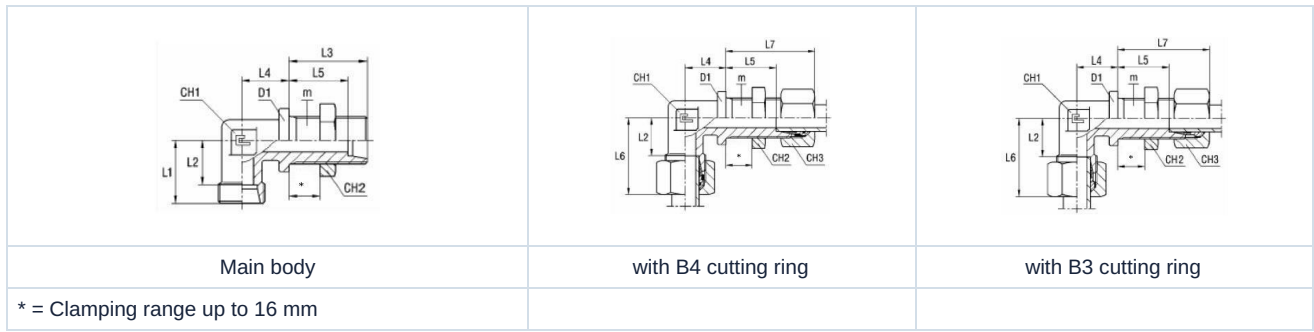


B3-Cutting ring

Design type	Compression fitting with cutting ring, with B3 or B4 cutting ring
Tube outside diameter	6...42mm
Material	Galvanized steel
<u>according to standard</u>	EN ISO 8434-1 (DIN 2353)
Medium	neutral liquids and gases that do not attack the materials used
Medium temperature	B3-Cutting ring -40...+120°C B4-Cutting ring NBR -35...+100°C (FKM auf Anfrage)
Operating pressure	Nominal pressure according to table



Dimensions



Series	PN [bar]	Tube diameter	m	L1	L2	L3	L4	L5	L6	L7	D1	CH1	CH2	CH3	Type Main body	Type with B4 ring	Type with B3 ring
L	315	6	12x1,5	19	12	34	14	27	19	42	17	12	17	14	C-WSV06LX	C-WSV06ZL	C-WSV06L
		8	14x1,5	21	14	34	17	27	21	42	19	12	19	17	C-WSV08LX	C-WSV08ZL	C-WSV08L
		10	16x1,5	22	15	35	18	28	22	43	22	14	22	19	C-WSV10LX	C-WSV10ZL	C-WSV10L
		12	18x1,5	24	17	36	20	29	24	44	24	17	24	22	C-WSV12LX	C-WSV12ZL	C-WSV12L
		15	22x1,5	28	21	38	23	31	28	46	27	19	30	27	C-WSV15LX	C-WSV15ZL	C-WSV15L
		18	26x1,5	31	23,5	40	24	32,5	31	49	32	24	36	32	C-WSV18LX	C-WSV18ZL	C-WSV18L
	160	22	30x2	35	27,5	42	30	34,5	35	51	36	27	41	36	C-WSV22LX	C-WSV22ZL	C-WSV22L
		28	36x2	38	30,5	43	34	35,5	38	52	42	36	46	41	C-WSV28LX	C-WSV28ZL	C-WSV28L
		35	45x2	45	34,5	47	39	36,5	45	58	50	41	55	50	C-WSV35LX	C-WSV35ZL	C-WSV35L
		42	52x2	51	40	47	43	36	51	59	60	50	65	60	C-WSV42LX	C-WSV42ZL	C-WSV42L
S	630	6	14x1,5	23	16	36	17	29	23	44	19	12	19	17	C-WSV06SX	C-WSV06ZS	C-WSV06S
		8	16x1,5	24	17	36	18	29	24	44	22	14	22	19	C-WSV08SX	C-WSV08ZS	C-WSV08S
		10	18x1,5	25	17,5	37	20	29,5	25	46	24	17	24	22	C-WSV10SX	C-WSV10ZS	C-WSV10S
		12	20x1,5	29	21,5	38	21	30,5	29	47	27	17	27	24	C-WSV12SX	C-WSV12ZS	C-WSV12S
		14	22x1,5	30	22	40	23	32	30	50	30	19	30	27	C-WSV14SX	C-WSV14ZS	C-WSV14S
		16	24x1,5	33	24,5	40	24	31,5	33	50	32	24	32	30	C-WSV16SX	C-WSV16ZS	C-WSV16S
	400	20	30x2	37	26,5	44	30	33,5	37	55	41	27	41	36	C-WSV20SX	C-WSV20ZS	C-WSV20S
		25	36x2	42	30	47	34	35	42	59	46	36	46	46	C-WSV25SX	C-WSV25ZS	C-WSV25S
		30	42x2	49	35,5	51	39	37,5	49	64	50	41	50	50	C-WSV30SX	C-WSV30ZS	C-WSV30S
		38	52x2	57	41	53	43	37	57	68	65	50	65	60	C-WSV38SX	C-WSV38ZS	C-WSV38S

Illustrations non-binding
Design, dimensional and material changes reserved

Pneumatics / Fittings and couplings / Tube fittings / Tube fittings - Zinc plated steel ISO 8434-1 (DIN 2353) / Bulkhead union elbow Series C-WSV

Version 5

138459 / Generated 2026/24 EN

MADE IN EUROPE

+43 512 52076

austria@stasto.eu

© STASTO Automation KG

www.stasto.com

Open series online

Page 2 / 2

