

## Electric actuator Series VB015, VB030, VB060, VB110, VB190, VB270 and VB350



VB015



VB030...VB350

Design type	Electric geared motor with additional manual override, single-phase, Actuator heater and Torque monitoring, Adjustment range 90°
Materials	Polymer housing PA6, Drive shaft Nickel-plated steel
Mounting position	any, except hanging downward
Temperature range	-20...+55°C

### Electrical data:

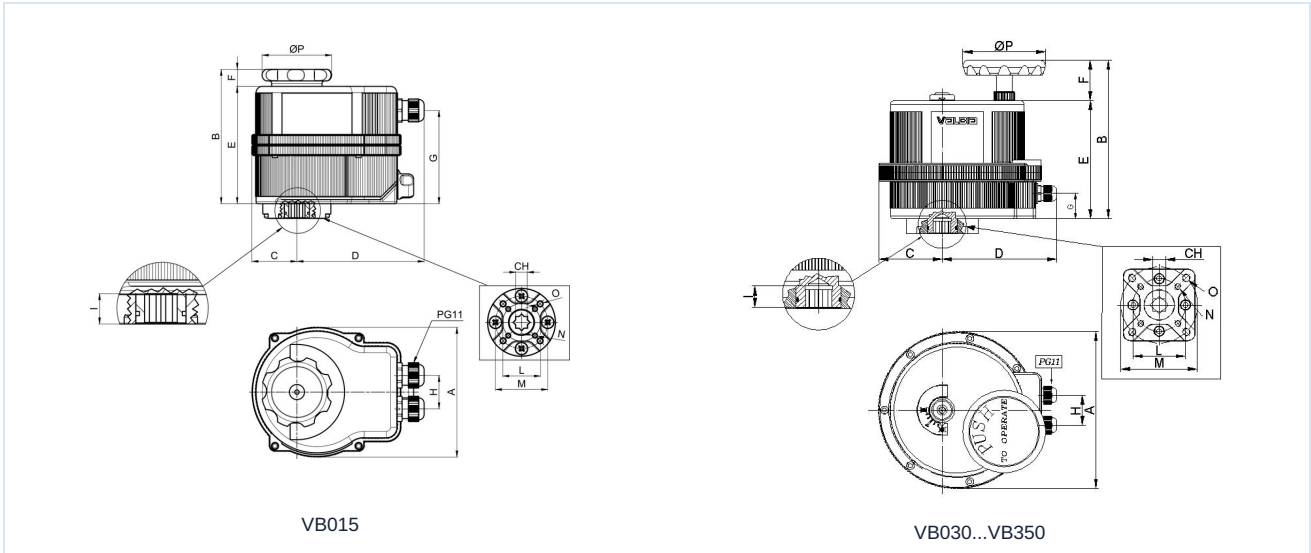
Voltage type	AC and DC voltage
Permissible voltage fluctuation	± 10%
Electrical Connection	above Cable entry gland PG11 (included in the scope of delivery)
End position shut-off	above built-in Limit switch
Duty cycle	see table "Electrical data", however max. 100 switching cycles per day
Degree of protection	VB015: IP65 according to EN 60529 with correctly installed cable entry (protection against dust ingress and splashing water) VB030...VB350: IP67 according to EN 60529 with correctly installed cable entry (protection against dust ingress and immersion in water)
Special version	VB015: Adjustment range 180° VB030...VB350: Battery pack for safety position(except for 12VDC), Adjustment range 180° - 270°, Positioner, Position feedback Potentiometer

### Properties:

Torque limitation	As standard, an electronic torque limiter is integrated. This protects the valve and actuator from overload damage. In case of overload, the actuator stops. VB015: no visualization VB030...VB350: This function is indicated by an LED in the housing (for indication, the cover must be removed)
Actuator heater	VB015: The actuator is supplied with a permanently installed heater which is continuously active when an external power supply is applied. VB030...VB350: The actuator is supplied with a permanently installed heater, which is activated when an external power supply is applied and when the temperature inside the housing falls below +25°C.
Actuation voltage	The actuators can be used to a limited extent for DC or AC voltage without changing the running time and torque.



## Dimensions



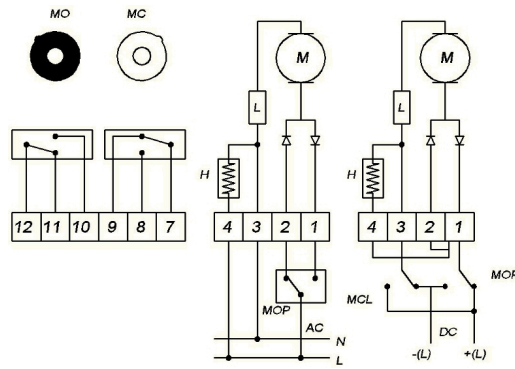
A	B	C	D	E	F	G	H	I	L	M	N	O	P	CH	Flange ISO 5211	Type
123	141,5...206,5	42,5	120,5	126	15,5	103	32	14	36	50	M5x12	M6x14	68	11	F03/F05	VB015
157	188	60,5	129,5	146	42	33	36	12	36	50	M5x12	M6x14	65	11	F03/F05	VB030
185	215	67,5	146,5	173	42	51	36	16	50	70	M6x15	M8x17	65	14	F05/F07	VB060
211	232,1	84	153	178	54,1	54	40	19	70	102	M8x20	M10x20	110	17	F07/F10	VB110
211	232,1	84	153	178	54,1	54	40	19	70	102	M8x20	M10x20	110	17	F07/F10	VB190
222	233,5	77	170	182	51,5	54	40	24	70	102	M8x20	M10x20	110	22	F07/F10	VB270
222	233,5	77	170	182	51,5	54	40	24	70	102	M8x20	M10x20	110	22	F07/F10	VB350

## Electrical data

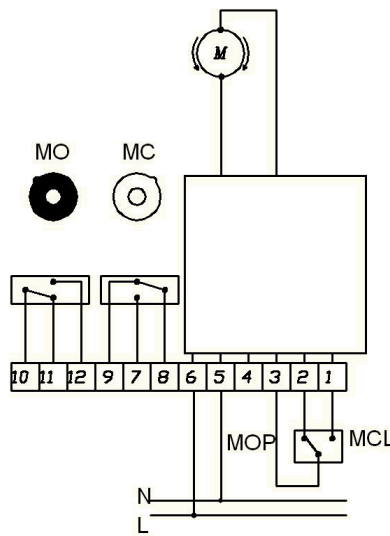
Type	Voltage	Current consumption [A]	Rated torque [Nm]	Duty cycle (S3)	Weight [kg]	Actuation time [Sek.]
VB015-L-12	12V/50-60Hz/12VDC	1,2	15	AC50% / DC75%	1,4	10
VB015-L-24	24V/50-60Hz/24VDC	0,6	15	AC50% / DC75%	1,4	10
VB015-H	100-240V/50-60Hz	0,3-019	15	75%	1,4	10
VB030-L-12	12V/50-60Hz/12VDC	AC 2,2 / DC 1,8	30	50%	2,3	8
VB030-L	24V/50-60Hz/24VDC	AC 1 / DC 0,7	30	75%	2,3	8
VB030-H	100-240V/50-60Hz	0,4-0,2	30	75%	2,3	8
VB060-L-12	12V/50-60Hz/12VDC	AC 3,8 / DC 2,85	60	50%	3,3	9
VB060-L	24V/50-60Hz/24VDC	AC 1,8 / DC 1,2	60	75%	3,3	9
VB060-H	100-240V/50-60Hz	0,6-0,3	60	75%	3,3	9
VB110-L-12	12V/50-60Hz/12VDC	AC 2,2 / DC 1,8	110	50%	4,9	27
VB110-L	24V/50-60Hz/24VDC	AC 1 / DC 0,7	110	75%	4,9	27
VB110-H	100-240V/50-60Hz	0,4-0,2	110	75%	4,9	27
VB190-L-12	12V/50-60Hz/12VDC	AC 3,8 / DC 2,85	190	50%	4,9	27
VB190-L	24V/50-60Hz/24VDC	AC 1,8 / DC 1,2	190	75%	4,9	27
VB190-H	100-240V/50-60Hz	0,6-0,3	190	75%	4,9	27
VB270-L-12	12V/50-60Hz/12VDC	AC 3,8 / DC 2,85	270	50%	6,0	50
VB270-L	24V/50-60Hz/24VDC	AC 1,8 / DC 1,2	270	75%	6,0	50
VB270-H	100-240V/50-60Hz	0,6-0,3	270	75%	6,0	50
VB350-L-12	12V/50-60Hz/12VDC	AC 4,75 / DC 3,65	350	50%	6,0	50
VB350-L	24V/50-60Hz/24VDC	AC 1,895 / DC 1,65	350	75%	6,0	50
VB350-H	100-240V/50-60Hz	0,75-0,4	350	75%	6,0	50



## Electrical connection VB015



Type VB015-L

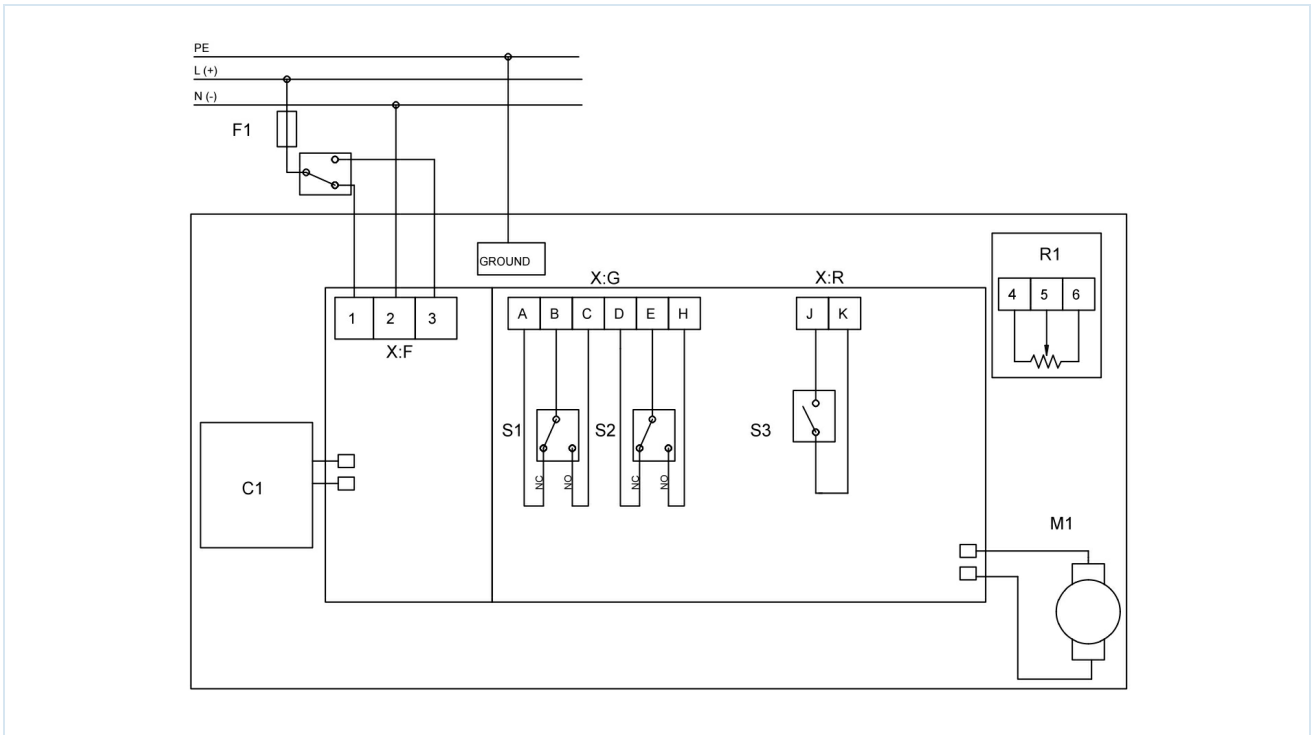


Type VB015-H

Position	Description	Note
H	Heater	Standard
L	Torque limiter	Standard
MC	End position feedback signals ON	Standard - max. 1A/240VAC-1A/30VDC
MO	End position feedback signals CLOSED	Standard - max. 1A/240VAC-1A/30VDC
MCL	Connection	Actuator CLOSED
MOP	Connection	Actuator OPEN

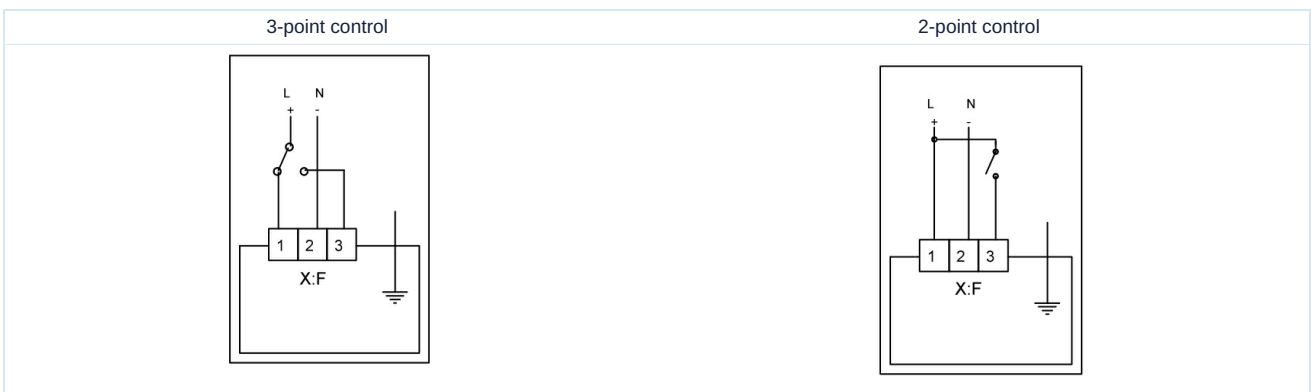


## Electrical connection VB030...VB350



Position	Description	Note
C1	Battery pack for safety position	optional available
R1	Potentiometer 5 K $\Omega$ /1W	optional available
S1	End position feedback signals CLOSED	Standard max. 2A/250VAC-2A/30VDC
S2	End position feedback signals ON	Standard max. 2A/250VAC-2A/30VDC
S3	Fault message	Standard max. 1A/120VAC-2A/24VDC
X:F:1	Connection terminal	Actuator CLOSED
X:F:2	Connection terminal	
X:F:3	Connection terminal	Actuator OPEN

### 2-Point control or 3-point control by changing the electrical connection



Illustrations non-binding  
Design, dimensional and material changes reserved

Armatures / Ball valves - automatically operated / Spare parts / Electrical actuator Series VB

Version 4

140651 / Generated 2026/23 EN

MADE IN EUROPE

+43 512 52076  
austria@stasto.eu  
© STASTO Automation KG

www.stasto.com

Open series online

Page 4 / 4

