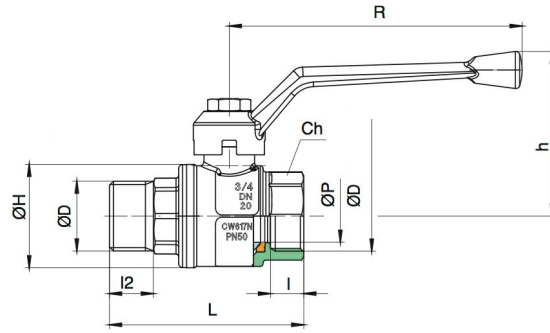


Brass ball valves Series 1801



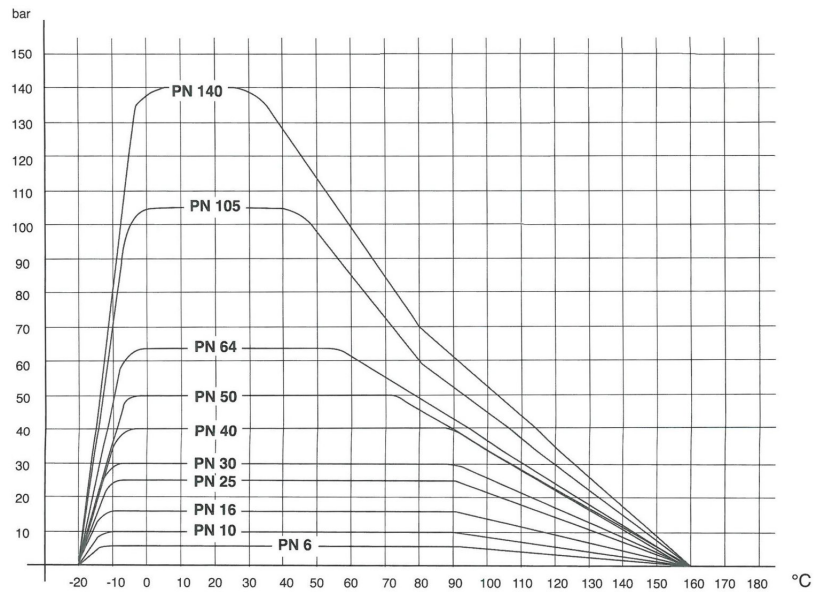
Design type	Shut-off valve with floating ball, full bore passage
Connection	RP1/4"…RP3/8" according to ISO7/1, G1/2"…G2" according to ISO228/1
Materials	Body brass CW617N nickel-plated, Ball, brass CW617N, hard chrome-plated, Ball seal PTFE, Adjustable spindle seal PTFE/NBR, Hand lever aluminium black coated
Mounting type	Installation in rigid piping system
Mounting position	any
Application range	Gases and liquids of group 2 in accordance with PED 2014/68/EU that do not attack the materials used.
Medium temperature	-20…+160°C
Operating pressure	Vacuum 1mbar up to Rated pressure according to table for operating temperatures up to 80°C. Permissible operating pressure for higher temperatures see pressure-temperature diagram.
Actuation	by 90° rotation of the hand lever





Connection	Nominal size DN[mm]	PN [bar]	CH	h	H	I	l1	L	R	P	Kv value [m³/h]	Weight [approx. kg]	Type
RP1/4"	8	64	20	47,5	23	11	11	59	95	10	5,4	0,14	1801-1/4"
RP3/8"	10	64	20	47,5	23	11,4	11,4	59,5	95	10	6	0,14	1801-3/8"
G1/2"	15	64	25	51	33	13,5	13	64,5	95	14	16,3	0,21	1801-1/2"
G3/4"	20	50	31	62	39	12,5	16,5	73	110	19	29,5	0,32	1801-3/4"
G1"	25	50	38	66	49	15	19	85	110	25	43	0,51	1801-1"
G1 1/4"	32	50	48	80	59	17	21,5	101	160	32	89	0,84	1801-1 1/4"
G1 1/2"	40	40	54	86	73	18	21,5	110	160	38	230	1,22	1801-1 1/2"
G2"	50	40	67	105	86	22	25,7	131,2	171	50	265	1,87	1801-2"

Pressure-temperature diagram



Illustrations non-binding
Design, dimensional and material changes reserved

Armatures / Ball valves - manually operated / Ball valves - brass / Ball valve made of brass Series 1801

Version 4

137918 / Generated 2026/23 EN

MADE IN EUROPE

+43 512 52076

austria@stasto.eu

© STASTO Automation KG

www.stasto.com

Open series online

Page 2 / 2

