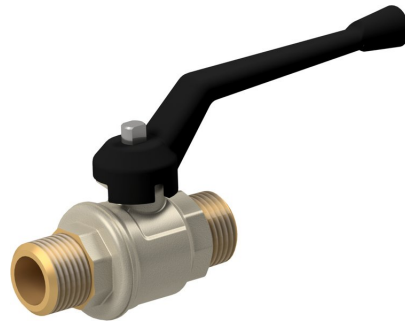
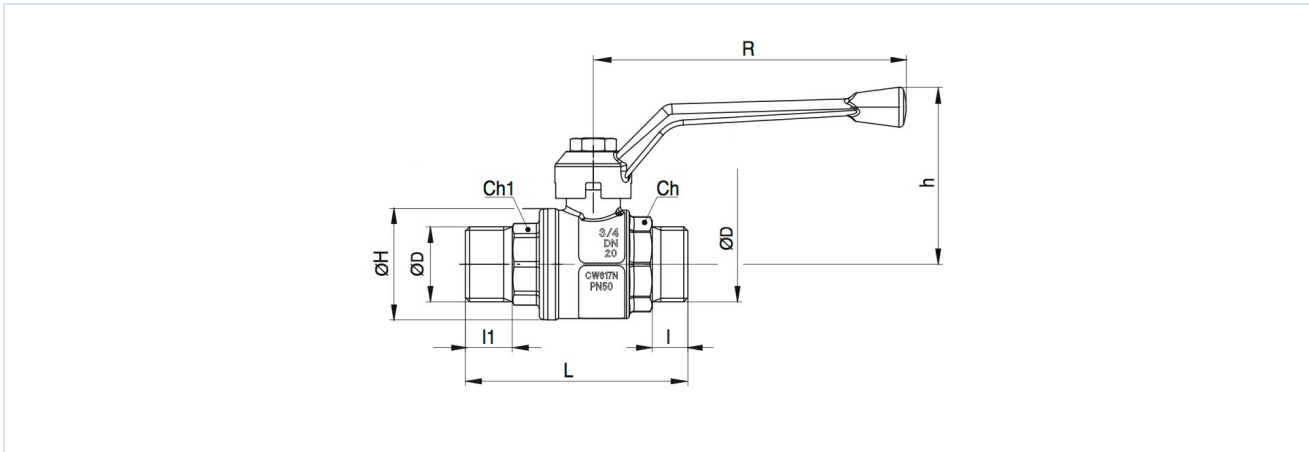


Brass ball valves Series 1803



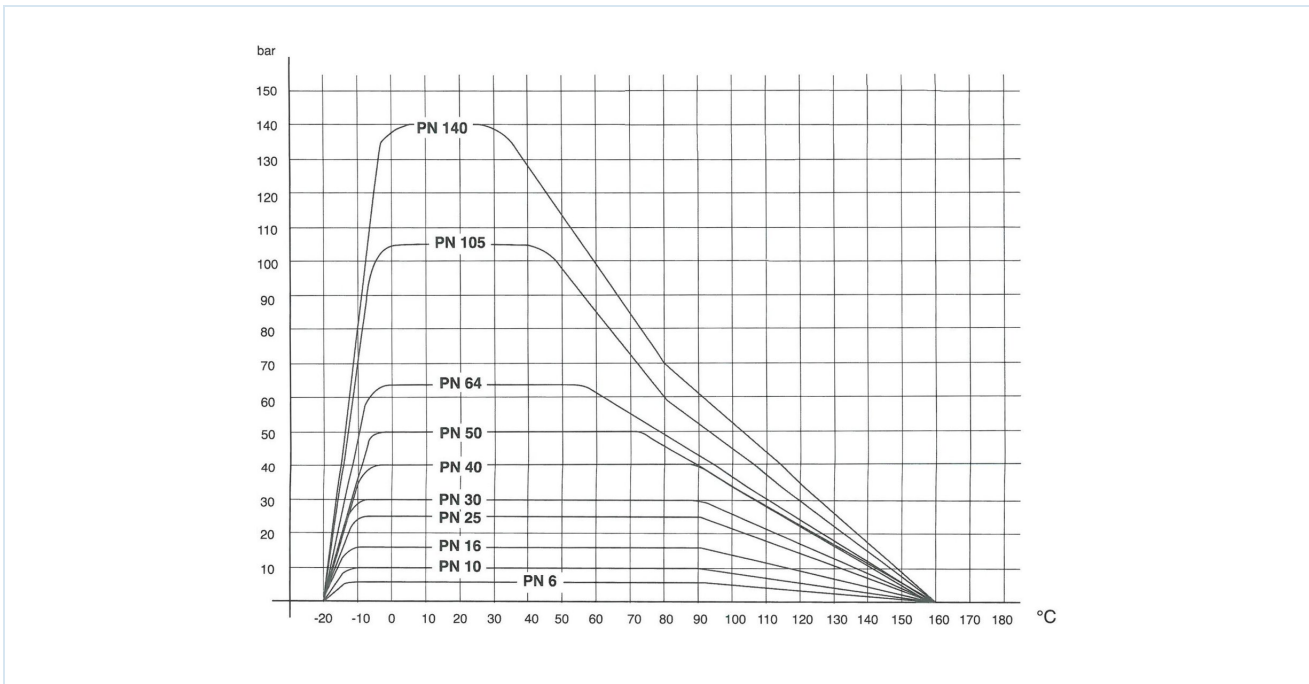
Design type	Shut-off valve with floating ball, full bore passage
Connection	G1/2"...G2" according to ISO228/1
Materials	Body brass CW617N nickel-plated, Ball, brass CW617N, hard chrome-plated, Ball seal PTFE, Adjustable spindle seal PTFE/NBR, Hand lever aluminium black coated
Mounting type	Installation in rigid piping system
Mounting position	any
Application range	Gases and liquids of group 2 in accordance with PED 2014/68/EU that do not attack the materials used.
Medium temperature	-20...+160°C
Operating pressure	Vacuum 1mbar up to Rated pressure according to table for operating temperatures up to 80°C. Permissible operating pressure for higher temperatures see pressure-temperature diagram.
Actuation	by 90° rotation of the hand lever





Connection	Nominal size DN[mm]	PN [bar]	CH	h	H	l	l1	L	R	P	Kv value [m³/h]	Weight [approx. kg]	Type
G1/2"	15	64	25	51	33	11,5	13	65,5	95	14	16,3	0,21	1803-1/2"
G3/4"	20	50	31	62	39	12,5	16,5	78	110	19	29,5	0,33	1803-3/4"
G1"	25	50	38	66	49	15	19	87	110	25	43	0,52	1803-1"
G11/4"	32	50	48	80	59	17,5	21,5	103	160	32	89	0,87	1803-11/4"
G11/2"	40	40	54	86	73	18	21,5	119	160	38	230	1,41	1803-11/2"
G2"	50	40	67	105	86	22	25,7	142,2	170	50	265	2,01	1803-2"

Pressure-temperature diagram



Illustrations non-binding
Design, dimensional and material changes reserved

Armatures / Ball valves - manually operated / Ball valves - brass / Ball valve made of brass Series 1803

