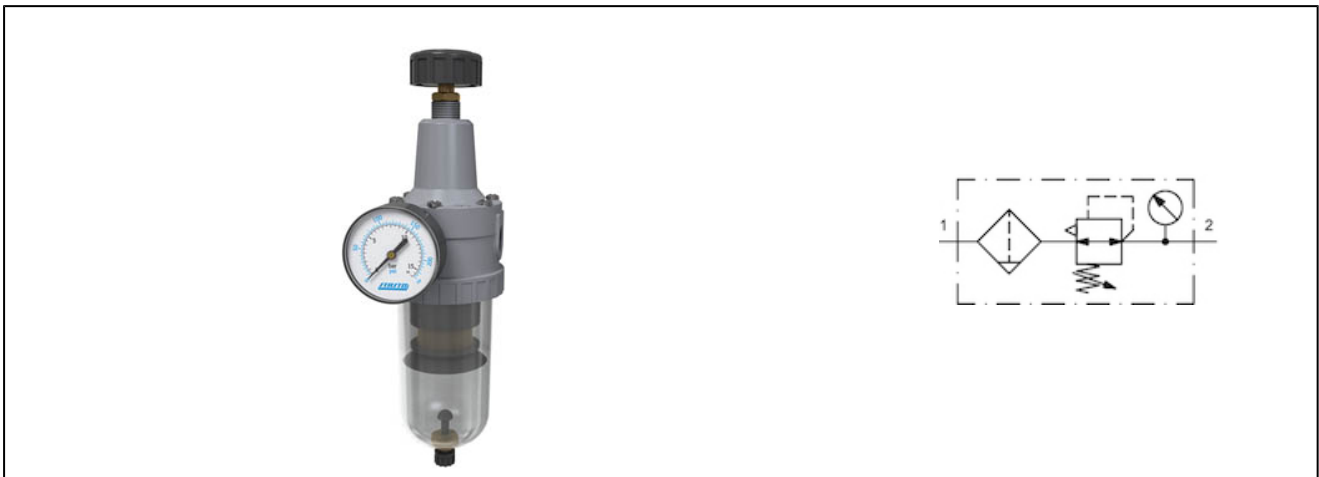


filter regulator series Gold FR04

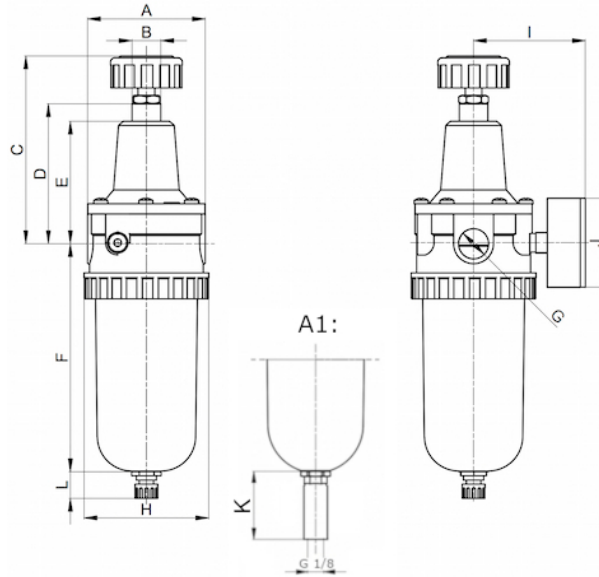


| | |
|---------------------|---|
| design | diaphragm pressure regulator with relieving, centrifugal filter, sinter-filterelement drain valve: filter regulator with plastic bowl respectively with protection cage semi-automatic drain valve, with metal bowl manual drain valve |
| connection | G1/2" according to ISO228/1 |
| materials | body zinc die casting, condensate bowl polycarbonat or metal, seal NBR |
| function | control of outlet pressure and filtration of compressed air |
| filter element | 5µm |
| type of fixing | installation in a pipe system or wall mounting with mounting bracket |
| mounting position | vertical, drain valve below |
| medium | compressed air |
| medium temperature | with plastic bowl 0...+60°C, with metal bowl 0...+60°C (with appropriately conditioned compressed air -20...+60°C) |
| ambient temperature | with plastic bowl 0...+60°C, with metal bowl -20...+60°C |
| inlet pressure | 1,5...16bar respectively 1,5...25bar according to table, with automatic drainage valve 1,5...16bar |
| adjustment ranges | 0,5...10bar and 0,5...16bar with metal bowl (0,5...3/ 0,5...6 on request) |
| flow direction | is marked by an arrow |
| scope of supply | including manometer |

order code

| | | FR04 - 12 H - 0,5/10 - P - F5 - A1 | |
|----------------|---|------------------------------------|--------|
| connection | 1/2" | 12 | |
| flow rate | high flow rate | H | |
| pressure range | 0,5...3bar | | 0,5/3 |
| | 0,5...6bar | | 0,5/6 |
| | 0,5...10bar | | 0,5/10 |
| | 0,5...16bar | | 0,5/16 |
| bowl | plastic bowl (blank position) | | |
| | plastic bowl with protection cage | | P |
| | metal bowl | | M |
| filter element | 5µm | | F5 |
| drain valve | semi-automatic drain valve (blank position) | | |
| | automatic valve for drainage of condensate | | A1 |

dimension



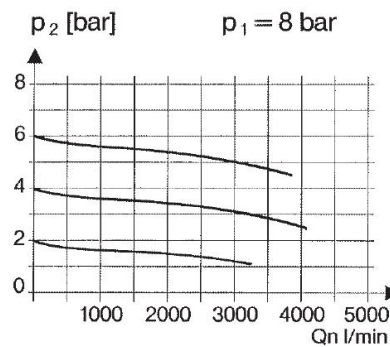
A1: automatic valve for drainage of condensate

| connection G | A | B | C | D | E | F | H | I | J | K | L | weight [approx. kg] | type |
|--------------|----|---------|-----|----|----|-----|----|----|----|----|------|---------------------|----------------------|
| G1/2" | 82 | M20x1,5 | 131 | 98 | 85 | 159 | 87 | 78 | 63 | 34 | 11,5 | 1,7 | FR04-12H-0,5/10-F5 |
| G1/2" | 82 | M20x1,5 | 131 | 98 | 85 | 159 | 87 | 78 | 63 | 34 | 11,5 | 1,8 | FR04-12H-0,5/10-P-F5 |
| G1/2" | 82 | M20x1,5 | 131 | 98 | 85 | 159 | 87 | 78 | 63 | 34 | 14 | 1,8 | FR04-12H-0,5/10-M-F5 |

| connection | flow at 6bar* [Nl/min] | maximum inlet pressure [bar] | pressure range [bar] | type |
|------------|------------------------|------------------------------|----------------------|----------------------|
| G1/2" | 3000 | 16 | 0,5...10 | FR04-12H-0,5/10-F5 |
| G1/2" | 3000 | 16 | 0,5...10 | FR04-12H-0,5/10-P-F5 |
| G1/2" | 3000 | 25 | 0,5...16 | FR04-12H-0,5/10-M-F5 |

*flow rate at input pressure of 8bar, output pressure of 6bar and 1bar pressure drop

flow diagram



accessories

| designation | type |
|--|-------------|
| mounting bracket with neck nut M20x1,5 | MMP04-38/10 |

illustrations are non-binding
all designs, configurations, measurements and materials are subject to change without prior notice