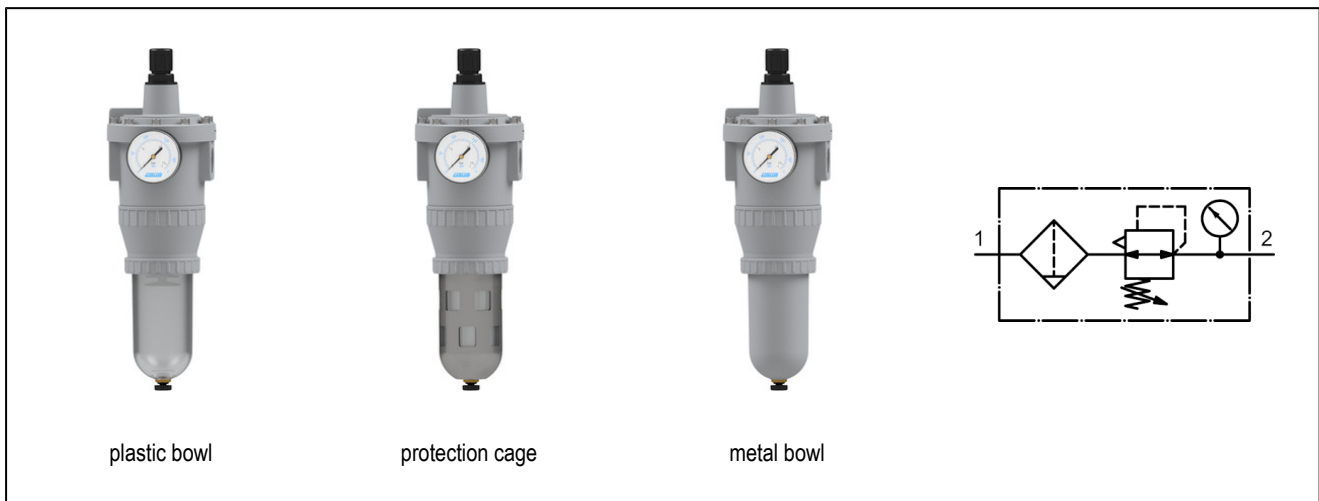


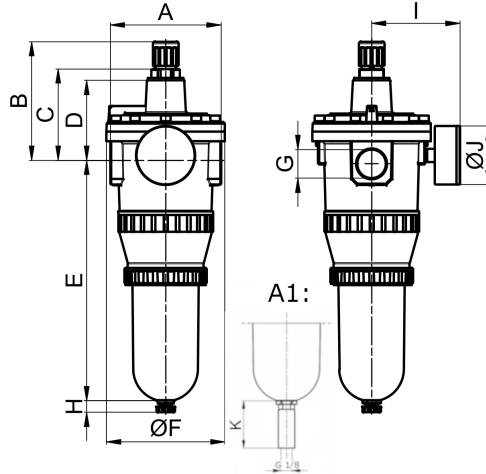
filter regulator series Gold FR04



design	diaphragm pressure regulator with relieving, centrifugal filter, sinter-filterelement drain valve: filter regulator with plastic bowl respectively with protection cage semi-automatic drain valve, with metal bowl manual drain valve
connection	G3/4"...G1" according to ISO228/1
materials	body zinc die casting, condensate bowl polycarbonat or metal, seals NBR
function	control of outlet pressure and filtration of compressed air
filter element	40µm
type of fixing	installation in a pipe system or wall mounting with mounting bracket
mounting position	vertical, drain valve below
medium	compressed air
medium temperature	with plastic bowl 0...+60°C, with metal bowl 0...+60°C (with appropriately conditioned compressed air -20...+60°C)
ambient temperature	with plastic bowl 0...+60°C, with metal bowl -20...+60°C
inlet pressure	1,5...16bar respectively 1,5...25bar according to table, with automatic drainage valve 1,5...16bar
adjustment ranges	0,5...10bar and 0,5...16bar with metal bowl (0,5...3/ 0,5...6 on request)
flow direction	is marked by an arrow
scope of supply	including manometer

type code

		FR04 - 34 H - 0,5/10 - P - A1	
connection	3/4"	34	
	1"	10	
flow rate	high flow rate	H	
pressure range	0,5...3bar	0,5/3	
	0,5...6bar	0,5/6	
	0,5...10bar	0,5/10	
	0,5...16bar	0,5/16	
bowl	plastic bowl (blank position)		
	plastic bowl with protection cage	P	
	metal bowl	M	
drain valve	semi-automatic drain valve (blank position)		
	automatic valve for drainage of condensate	A1	



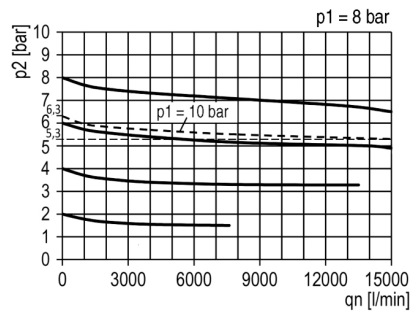
A1: automatic valve for drainage of condensate

connection G	A	B	C	D	E	ØF	H	I	ØJ	K	weight [approx. kg]	type
G3/4"	129	129	100	88	250	125	13	93	63	34	3,1	FR04-34H-0,5/10
G3/4"	129	129	100	88	250	125	13	93	63	34	3,3	FR04-34H-0,5/10-P
G3/4"	129	129	100	88	250	125	13	93	63	34	3,2	FR04-34H-0,5/10-M
G1"	117	129	100	88	250	125	13	93	63	34	3,0	FR04-10H-0,5/10
G1"	117	129	100	88	250	125	13	93	63	34	3,2	FR04-10H-0,5/10-P
G1"	117	129	100	88	250	125	13	93	63	34	3,1	FR04-10H-0,5/10-M

connection	flow rate* [Nl/min]	maximum inlet pressure [bar]	pressure range [bar]	type
G3/4"	12000	16	0,5...10	FR04-34H-0,5/10-P
G3/4"	12000	25	0,5...16	FR04-34H-0,5/10-M
G1"	12000	16	0,5...10	FR04-10H-0,5/10
G1"	12000	16	0,5...10	FR04-10H-0,5/10-P
G1"	12000	25	0,5...16	FR04-10H-0,5/10-M

*flow rate at input pressure of 8bar, output pressure of 6bar and 1bar pressure drop

flow diagram



accessories

designation	type
mounting bracket	MMP04-34/112

illustrations are non-binding
all designs, configurations, measurements and materials are subject to change without prior notice