

butterfly valves with pneumatic actuator series BUW2, BULI/B



design	wafer respectively lug type butterfly valve with two-piece shaft, floating disc, power transmission by gear tooth system, shaft is protected against blow out by circlip
function	double acting or single acting design
connection	flange according to EN1092
form of flange	wafer type: PN10/PN16/ANSI150 lug type DN40...DN150: PN10/PN16, DN200...DN450: PN10
length	according to EN558-1 line 20 (DIN3202-K1)
materials	actuator: hard-anodised aluminum, pinion nickel-plated steel, piston guide POM, seals NBR butterfly valve body ductile iron epoxy coated, disc zinc plated steel (DN50...100), ductile iron zinc plated (DN125...450) respectively stainless steel AISI 316, shaft stainless steel AISI 430 (not wetted)
liner	NBR carboxylated demountable, for more see table "liner material"
application	solids, group 1 and 2 liquids and gases acc. to PED 2014/68/EU and which do not affect the used materials
medium temperature	-10...+200°C additionally dependent on the liner material - see table "liner material"
ambient temperature	-20...+85°C
operating pressure	0...6bar
control medium	filtered and lubricated or non lubricated compressed air
control pressure	5,5...8 bar, adaption for lower control pressures on request
type of fixing	installed into rigid pipework between two flanges according to EN1092, form 01,11, 32, 34
mounting position	when used for solids shaft horizontal, for all other applications any
special version	pinion made of stainless steel, ambient temperatures of -40...+85°C respectively -20...150°C, diameter until DN500, ATEX II 2 GD Ex h X - ATEX II 2 G/D c T6
accessories	mounted manual, pneumatic or electric control valve electric end position signal, I/P or P/P positioner control of moving speed, built in declutchable gearbox for manual operation

type code

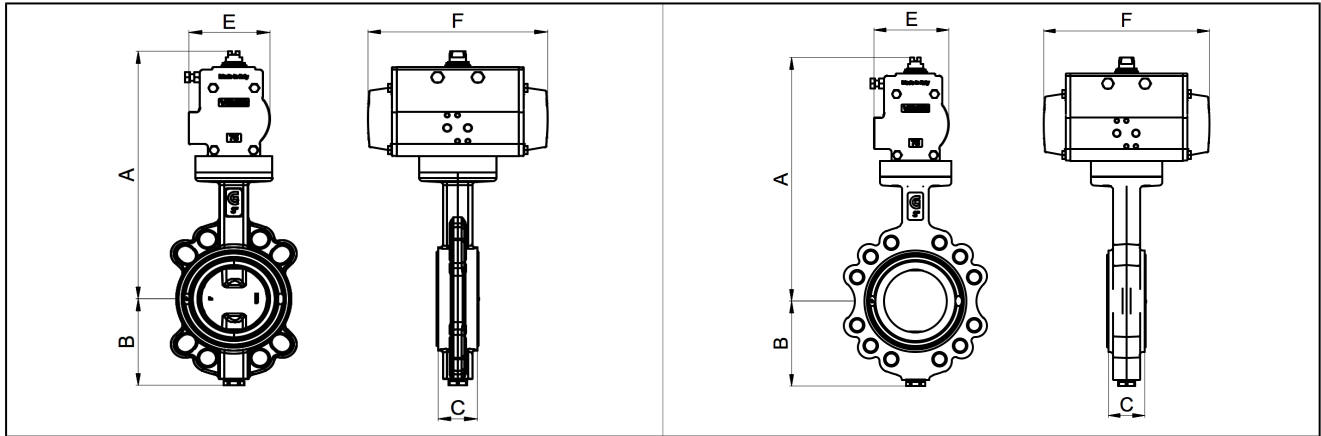
		BU	W	2	-050	-D	S	C	S	-D	3	1	-A
butterfly valve													
flanged type	lug			L									
	wafer			W									
operating pressure / flange mounting	6bar...PN10/16/A150				2								
	6bar...PN10				B								
	6bar...PN10/16				I								
nominal diameter	40mm					040							
	50mm					050							
	65mm					065							
	80mm					080							
	100mm					100							
	125mm					125							
	150mm					150							
	200mm					200							
	250mm					250							
	300mm					300							
	350mm					350							
	400mm					400							
	450mm					450							
body	ductile iron						D						
disc	stainless steel AISI 316							S					
	ductile iron zinc plated							P					
	steel zinc plated							U					
liner	NBR carboxylated							C					
	EPDM							E					
	hyalalone							H					
	NBR							N					
	polyurethane							P1					
	silicone							S					
	FKM							V					
	EPDM-white							W					
	EPDM HT							X					
shaft	stainless steel AISI 430 (blank position)												
	stainless steel AISI 316							S					
actuation	double acting actuator									D			
	single acting actuator									S			
control pressure / medium pressure	5.5bar/6bar										3		
medium	water											1	
	solids, gases or other liquids												2
	degreasing medias												3
special versions	ATEX												A
	free of oil and grease												G
	silicone-free												S

liner material

material	medium temperature*	examples of use
EPDM	-10 (-35)*...+130°C	hot water, cold water, neutral gases and liquids
EPDM-white	-10 (-30)*...+130°C	foods
EPDM HT	-10 (-30)*...+150°C	steam, hot water, cold water, neutral gases and liquids
FKM	-10 (-20)*...+200°C	petrol, diesel, oils
NBR	-10 (-25)*...+100°C	cold water, air, neutral gases and liquids
NBR carboxylated	-10 (-25)*...+100°C	abrasive media as sand, cement
polyurethane	-10 (-25)*...+90°C	abrasive media as sand, cement

neoprene, silicone, hyalalone and natural rubber are available on request
 *lower medium temperatures on request

dimensions



butterfly valve with double acting actuator, control pressure 5,5...8bar, liner NBR carboxylated

nominal diameter DN[mm]	max. operating pressure [bar]	A	B	C	E	F	type of actuator	kv value [m ³ /h]	type wafer	weight [app. kg]	type lug	weight [app. kg]
40	6	259	75	33	81	164	PAD063	116	BUW2-040-DSC-D32	4	BULI-040-DSC-D32	4,8
50	6	267	81	43	81	164	PAD063	116	BUW2-050-DSC-D32	4,6	BULI-050-DSC-D32	5,5
65	6	273	98	46	81	164	PAD063	257	BUW2-065-DSC-D32	5,5	BULI-065-DSC-D32	7,1
80	6	287	110	46	81	164	PAD063	508	BUW2-080-DSC-D32	5,8	BULI-080-DSC-D32	7,9
100	6	302	128	52	81	164	PAD063	925	BUW2-100-DSC-D32	7,8	BULI-100-DSC-D32	9,9
125	6	333	140	56	95	210	PAD075	1492	BUW2-125-DSC-D32	10,1	BULI-125-DSC-D32	12,6
150	6	363	155	56	106	241	PAD085	2168	BUW2-150-DSC-D32	13,1	BULI-150-DSC-D32	15,5
200	6	405	190	60	106	241	PAD085	3838	BUW2-200-DSC-D32	19	BULB-200-DSC-D32	32
250	6	477	220	68	137	333	PAD115	5010	BUW2-250-DSC-D32	31,4	BULB-250-DSC-D32	43,4
300	6	519	247	78	148	372	PAD125	9233	BUW2-300-DSC-D32	43,3	BULB-300-DSC-D32	60,3
350	6	595	280	78	186	500	PAD180	10792	BUW2-350-DSC-D32	76	BULB-350-DSC-D32	96
400	6	738	305	102	213	493	PAD180	14082	BUW2-400-DSC-D32	110	BULB-400-DSC-D32	124
450	6	783	343	114	213	493	PAD180	17840	BUW2-450-DSC-D32	140	BULB-450-DSC-D32	200

butterfly valve with single acting actuator, control pressure 5,5...8bar, liner NBR carboxylated

nominal diameter DN[mm]	max. operating pressure [bar]	A	B	C	E	F	type of actuator	kv value [m ³ /h]	type wafer	weight [app. kg]	type lug	weight [app. kg]
40	6	277	75	33	95	210	PAS0755	116	BUW2-040-DSC-S32	5,7	BULI-040-DSC-S32	6,5
50	6	299	81	43	106	241	PAS0855	116	BUW2-050-DSC-S32	7,7	BULI-050-DSC-S32	8,6
65	6	318	98	46	123	275	PAS1005	257	BUW2-065-DSC-S32	10,8	BULI-065-DSC-S32	12,4
80	6	305	110	46	95	210	PAS0755	508	BUW2-080-DSC-S32	7,5	BULI-080-DSC-S32	9,6
100	6	334	128	52	106	241	PAS0855	925	BUW2-100-DSC-S32	10,9	BULI-100-DSC-S32	13
125	6	395	140	56	137	333	PAS1155	1492	BUW2-125-DSC-S32	18,8	BULI-125-DSC-S32	21,3
150	6	423	155	56	148	372	PAS1255	2168	BUW2-150-DSC-S32	23,3	BULI-150-DSC-S32	25,7
200	6	481	190	60	164	435	PAS1405	3838	BUW2-200-DSC-S32	36,4	BULB-200-DSC-S32	48,9
250	6	535	220	68	186	500	PAS1605	5010	BUW2-250-DSC-S32	51,6	BULB-250-DSC-S32	63,6
300	6	658	247	78	217	579	PAS2005	9233	BUW2-300-DSC-S32	89	BULB-300-DSC-S32	104,1
350	6	785	280	78	249	690	PAS2305	10792	BUW2-350-DSC-S32	116	BULB-350-DSC-S32	136
400	6	810	305	102	249	690	PAS2305	14082	BUW2-400-DSC-S32	150	BULB-400-DSC-S32	164
450	6	929	343	114	249	690	PAS2707	17840	BUW2-450-DSC-S32	217	BULB-450-DSC-S32	277

butterfly valve with double acting actuator, control pressure 5,5...8bar, liner EPDM, medium water

nominal diameter DN[mm]	max. operating pressure [bar]	A	B	C	E	F	type of actuator	kv value [m ³ /h]	type wafer	weight [app. kg]	type lug	weight [app. kg]
40	6	259	75	33	81	164	PAD063	116	BUW2-040-DSE-D31	4	BULI-040-DSE-D31	4,8
50	6	267	81	43	81	164	PAD063	116	BUW2-050-DSE-D31	4,6	BULI-050-DSE-D31	5,5
65	6	273	98	46	81	164	PAD063	257	BUW2-065-DSE-D31	5,5	BULI-065-DSE-D31	7,1
80	6	287	110	46	81	164	PAD063	508	BUW2-080-DSE-D31	5,8	BULI-080-DSE-D31	7,9
100	6	302	128	52	81	164	PAD063	925	BUW2-100-DSE-D31	7,8	BULI-100-DSE-D31	9,9
125	6	333	140	56	95	210	PAD075	1492	BUW2-125-DSE-D31	10,1	BULI-125-DSE-D31	12,6
150	6	349	155	56	95	210	PAD075	2168	BUW2-150-DSE-D31	13,1	BULI-150-DSE-D31	15,5
200	6	405	190	60	106	241	PAD085	3838	BUW2-200-DSE-D31	19	BULB-200-DSE-D31	32
250	6	477	220	68	137	333	PAD115	5010	BUW2-250-DSE-D31	31,4	BULB-250-DSE-D31	43,4
300	6	508	247	78	137	333	PAD115	9233	BUW2-300-DSE-D31	41,4	BULB-300-DSE-D31	58,4
350	6	571	280	78	164	435	PAD140	10792	BUW2-350-DSE-D31	63,3	BULB-350-DSE-D31	83,3
400	6	621	305	102	186	500	PAD160	14082	BUW2-400-DSE-D31	103	BULB-400-DSE-D31	116

butterfly valve with single acting actuator, control pressure 5,5...8bar, liner EPDM, medium water

nominal diameter DN[mm]	max. operating pressure [bar]	A	B	C	E	F	type of actuator	kv value [m ³ /h]	type wafer	weight [app. kg]	type lug	weight [app. kg]
40	6	277	75	33	95	210	PAS0755	116	BUW2-040-DSE-S31	5,7	BULI-040-DSE-S31	6,5
50	6	285	81	43	95	210	PAS0755	116	BUW2-050-DSE-S31	6,3	BULI-050-DSE-S31	7,2
65	6	305	98	46	106	241	PAS0855	257	BUW2-065-DSE-S31	8,6	BULI-065-DSE-S31	10,2
80	6	287	110	46	81	164	PAS0635	508	BUW2-080-DSE-S31	6,1	BULI-080-DSE-S31	8,2
100	6	320	128	52	95	210	PAS0755	925	BUW2-100-DSE-S31	9,5	BULI-100-DSE-S31	11,6
125	6	360	140	56	123	275	PAS1005	1492	BUW2-125-DSE-S31	14,3	BULI-125-DSE-S31	16,8
150	6	411	155	56	123	333	PAS1155	2168	BUW2-150-DSE-S31	20,7	BULI-150-DSE-S31	23,1
200	6	449	190	60	137	333	PAS1155	3838	BUW2-200-DSE-S31	25,6	BULB-200-DSE-S31	38,6
250	6	535	220	68	186	500	PAS1605	5010	BUW2-250-DSE-S31	51,6	BULB-250-DSE-S31	63,6
300	6	565	247	78	186	500	PAS1605	9233	BUW2-300-DSE-S31	62,1	BULB-300-DSE-S31	81,4
350	6	688	280	78	217	579	PAS2005	10792	BUW2-350-DSE-S31	97	BULB-350-DSE-S31	117
400	6	810	305	102	249	690	PAS2305	14082	BUW2-400-DSE-S31	134	BULB-400-DSE-S31	148

illustrations are non-binding

all designs, configurations, measurements and materials are subject to change without prior notice