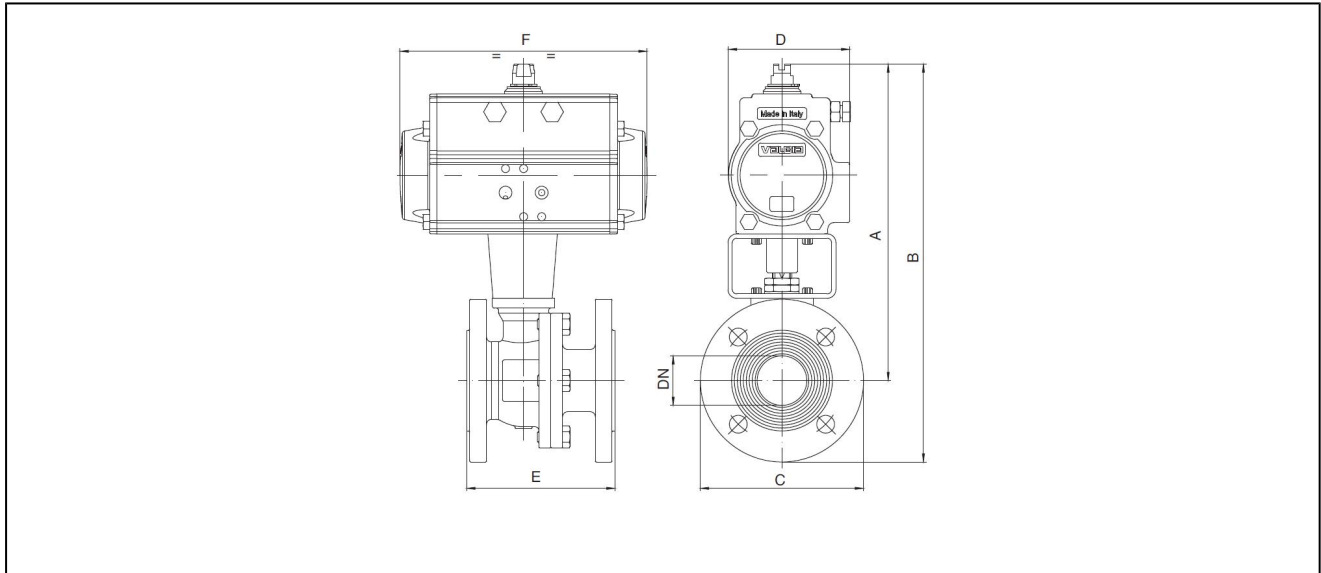


flange ball valve made of stainless steel with pneumatic actuator series BA178



design	actuator: piston actuator with 2 counteracting pistons, elastic sealing, actuator complying with ISO 5211 or rather to NAMUR-references, end position +/-5° adjustable on both sides
connection	flange DN15...DN200 acc. to ANSI 150
length	according to ANSI B16.10
materials	actuator: hard-anodised aluminum, pinion nickel-plated steel, piston guide POM, seals NBR
standard construction	ball valve: body and ball AISI 316, ball seal made of PTFE, stem seal double PTFE/FKM
function	available in double acting or single acting design
type of fixing	installed into rigid pipework
mounting position	any
control medium	filtered and lubricated or non lubricated compressed air
application	group 1 and 2 liquids and gases acc. to PED 2014/68/EU and which do not affect the used materials
medium temperature	-20...+160°C
ambient temperature	-20...+85°C
control pressure	5,5-8bar, adaptation for lower control pressures on request
operating pressure	vacuum max. 10-3 Torr to nominal pressure according to table and pressure-temperature diagram
approvals	fire-safe, TA-Luft certification, ATEX on request
special version	pinion made of stainless steel, ambient temperatures of -40...+85°C respectively -20...+150°C on request
accessories	mounted manual, pneumatic or electric control valve electric end position signal, I/P or P/P positioner control of moving speed
order information	in case of order please specify control pressure, operating medium and operating pressure
direction for use	pressure and temperature values are maximum values for lubricating or not degreasing mediums. in particular degreasing media reduce the indicated values and increase the necessary torque. In border lines we recommend a previous consultation. when selecting the armature, the lowest control pressure in the equipment is taken as the basis

dimensions



ball valves with double acting pneumatic actuator

nominal diameter DN[mm]	max. operating pressure [bar] to 85°C	A	B	C	D	E	F	type of actuator	kv value [m ³ /h]	weight [app. kg]	type
15	20	148	192	90	45	108	110	PAD032	19,2	2,5	BA178-15-D0
15	20	184	229	90	71	108	141	PAD052	19,2	3,3	BA178-15-D0-B*
20	20	189	239	100	71	117	141	PAD052	35	4	BA178-20-D0
25	20	207	263	110	71	127	141	PAD052	64,5	5	BA178-25-D0
40	20	250	313	125	81	165	164	PAD063	174	9,2	BA178-40-D0
50	20	275	350	150	95	178	210	PAD075	301,3	14,3	BA178-50-D0
80	20	333	430	190	106	203	241	PAD085	872,5	27,4	BA178-80-D0
100	20	360	473	230	123	229	275	PAD100	1363	37,9	BA178-100-D0
150	20	462	602	280	148	394	372	PAD125	3671	98,6	BA178-150-D0
200	20	551	723	345	186	457	500	PAD160	6816	151,1	BA178-200-D0

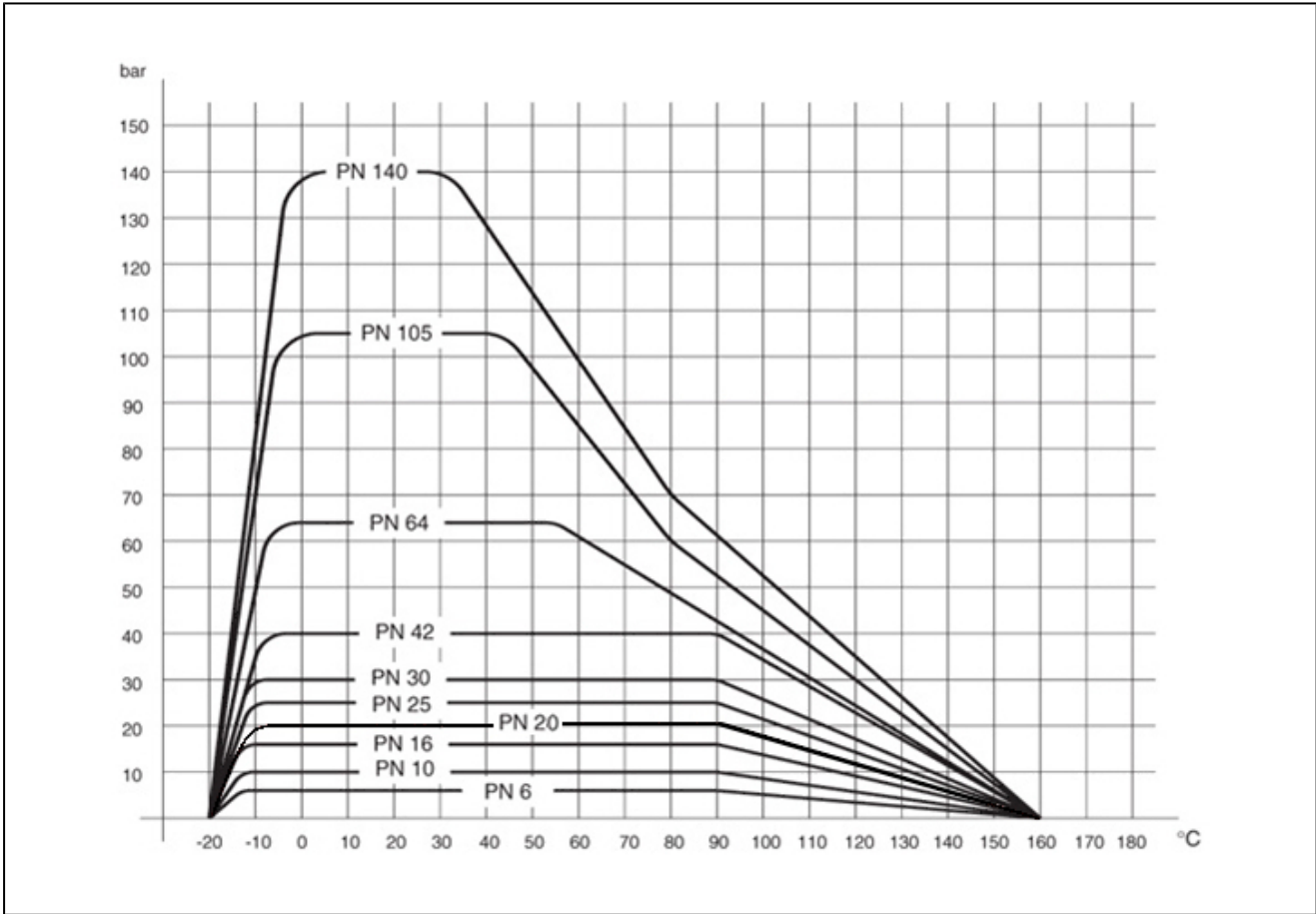
*with add-on B the ball valves will be fitted with actuator PAD052. when using limit switch boxes and NAMUR-control valves use B-types.

ball valves with single acting pneumatic actuator

nominal diameter DN[mm]	max. operating pressure [bar] to 85°C	A	B	C	D	E	F	type of actuator	kv value [m ³ /h]	weight [app. kg]	type
15	20	184	232	90	71	108	141	PAS0525	19,2	3,5	BA178-15-S0
20	20	200	251	100	81	117	164	PAS0635	35	4,9	BA178-20-S0
25	20	219	275	110	81	127	164	PAS0635	64,5	5,9	BA178-25-S0
40	20	282	345	125	106	165	241	PAS0855	174	12,3	BA178-40-S0
50	20	302	377	150	123	178	275	PAS1005	301,3	18,6	BA178-50-S0
80	20	393	490	190	148	203	372	PAS1255	872,5	37,6	BA178-80-S0
100	20	407	520	230	148	229	372	PAS1255	1363	46,5	BA178-100-S0
150	20	565	705	280	217	394	579	PAS2005	3671	137,5	BA178-150-S0
200	20	609	781	345	217	457	579	PAS2005	6816	182,4	BA178-200-S0

single acting actuators are delivered normally closed (NC), if not specified in your order.

pressure-temperature-diagram



illustrations are non-binding
all designs, configurations, measurements and materials are subject to change without prior notice