

Steel flanged ball valves with electric actuator DN15 up to DN150 Series 8E007



Design type	Electric geared motor with additional manual override, Actuator heater and Torque monitoring
Connection	Flanges DN15...DN150 according to EN1092-1
Materials Standard version	Actuator: Polymer housing PA6 or rather PA66 Ball valve: Steel housing, Ball stainless steel 1.4301, Ball seal PTFE, Spindle seal PTFE/FKM
Application range	gaseous and liquid media that do not attack the materials used
Medium temperature	-20...+160°C
Ambient temperature	-20...+55°C
Operating pressure	Vacuum max. 10 ⁻³ Torr up to Operating pressure according to table and pressure-temperature diagram
Mounting type	Installation in rigid piping system
Mounting position	any, except hanging downward

Electrical data:

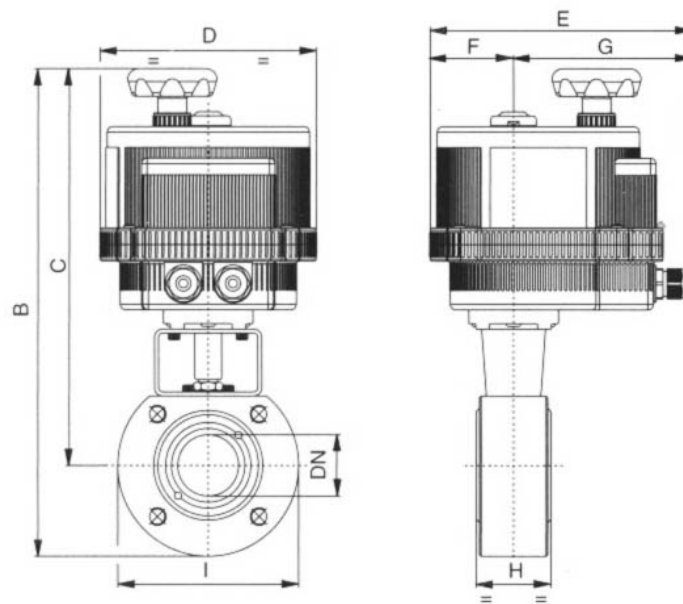
Voltage type	AC and DC voltage
Standard voltage	see table "Electrical data"
Permissible voltage fluctuation	± 10%
Electrical Connection	via cable gland PG11
End position shut-off	via integrated limit switches
Duty cycle	see table "Electrical data", however max. 100 switching cycles per day
Degree of protection	VB015 IP65 or rather all other sizes IP67 according to EN 60529 with properly installed cable entry (protection against dust ingress and splashing water)
Special version	Battery pack for safety position, Positioner
Ordering note	When ordering, please also specify the operating medium, operating pressure and operating temperature.
Application note	The pressure and temperature specifications are maximum values for normal conditions, for lubricating or non-degreasing media. Degreasing media in particular reduce the specified values and increase the required torque. For these special cases, we recommend prior consultation.



Order code

		8E007	001 - 15
	12V/50-60Hz/12VDC	001	
	24V/50-60Hz/24VDC	002	
Voltage	100-240V/50-60Hz	004	
Nominal size	DN 15		15
	DN 20		20
	DN 25		25
	DN 32		32
	DN 40		40
	DN 50		50
	DN 65		65
	DN 80		80
	DN 100		100
	DN 125		125
	DN 150		150

Dimensions



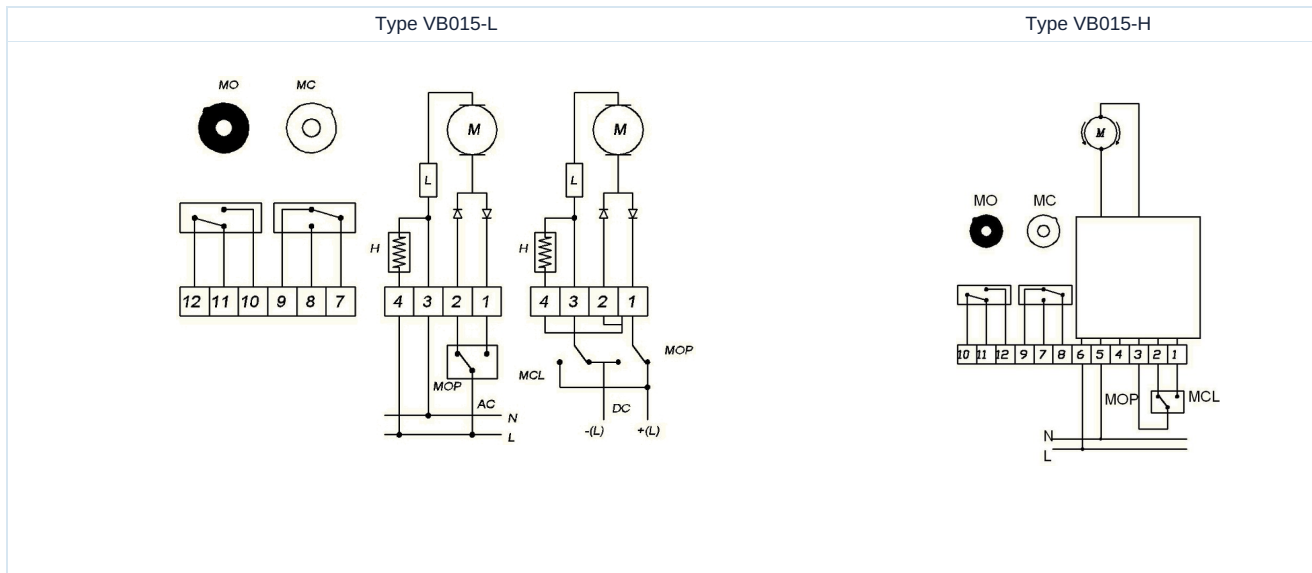
Nominal size DN[mm]	max. operating pressure [bar]	B	C	D	E	F	G	H	I	Kv value [m ³ /h]	Weight [approx. kg]	Actuator type	Type
15	16	269	224	123	164	43	121	35	90	19,2	3	VB015	8E007...15
20	16	278	228	123	164	34	121	40	100	35	3,6	VB015	8E007...20
25	16	335	280	157	191	61	130	46	110	64,5	5,3	VB030	8E007...25
32	16	351	286	157	191	61	130	54	130	103,8	6,8	VB030	8E007...32
40	16	404	329	185	215	68	147	64	150	174	9,5	VB060	8E007...40
50	16	420	337	185	215	68	147	82	165	301,3	12,3	VB060	8E007...50
65	16	461	369	211	237	84	153	103	185	545,7	20,7	VB110	8E007...65
80	16	479	379	211	237	84	153	122	200	872,5	25,7	VB110	8E007...80
100	16	524	415	211	237	84	153	152	220	1363	39,4	VB190	8E007...100
125	16	562	437	211	237	84	153	196	250	2360	57,7	VB190	8E007...125
150	16	607	464	222	247	77	170	232	285	3671	68,1	VB350	8E007...150



Electrical data

Type	Voltage	Current consumption [A]	Rated torque [Nm]	Duty cycle (S3)	Actuation time [Sek.]
VB015-L-12	12V/50-60Hz/12VDC	1,2	15	AC 50% / DC 75%	10
VB015-L-24	24V/50-60Hz/24VDC	0,6	15	AC 50% / DC 75%	10
VB015-H	100-240V/50-60Hz	0,3-0,19	15	75%	10
VB30-L-12	12V/50-60Hz/12VDC	AC 2,2 / DC 1,8	30	50%	8
VB30-L	24V/50-60Hz/24VDC	AC 1 / DC 0,7	30	75%	8
VB30-H	100-240V/50-60Hz	0,4-0,2	30	75%	8
VB060-L-12	12V/50-60Hz/12VDC	AC 3,8 / DC 2,85	60	50%	9
VB060-L	24V/50-60Hz/24VDC	AC 1,8 / DC 1,2	60	75%	9
VB60-H	100-240V/50-60Hz	0,6-0,3	60	75%	9
VB110-L-12	12V/50-60Hz/12VDC	AC 2,2 / DC 1,8	110	50%	27
VB110-L	24V/50-60Hz/24VDC	AC 1 / DC 0,7	110	75%	27
VB110-H	100-240V/50-60Hz	0,4-0,2	110	75%	27
VB190-L-12	12V/50-60Hz/12VDC	AC 3,8 / DC 2,85	190	50%	27
VB190-L	24V/50-60Hz/24VDC	AC 1,8 / DC 1,2	190	75%	27
VB190-H	100-240V/50-60Hz	0,6-0,3	190	75%	27
VB350-L-12	12V/50-60Hz/12VDC	AC 4,75 / DC 3,65	350	50%	50
VB350-L	24V/50-60Hz/24VDC	AC 1,895/ DC 1,65	350	75%	50
VB350-H	100-240V/50-60Hz	0,75-0,4	350	75%	50

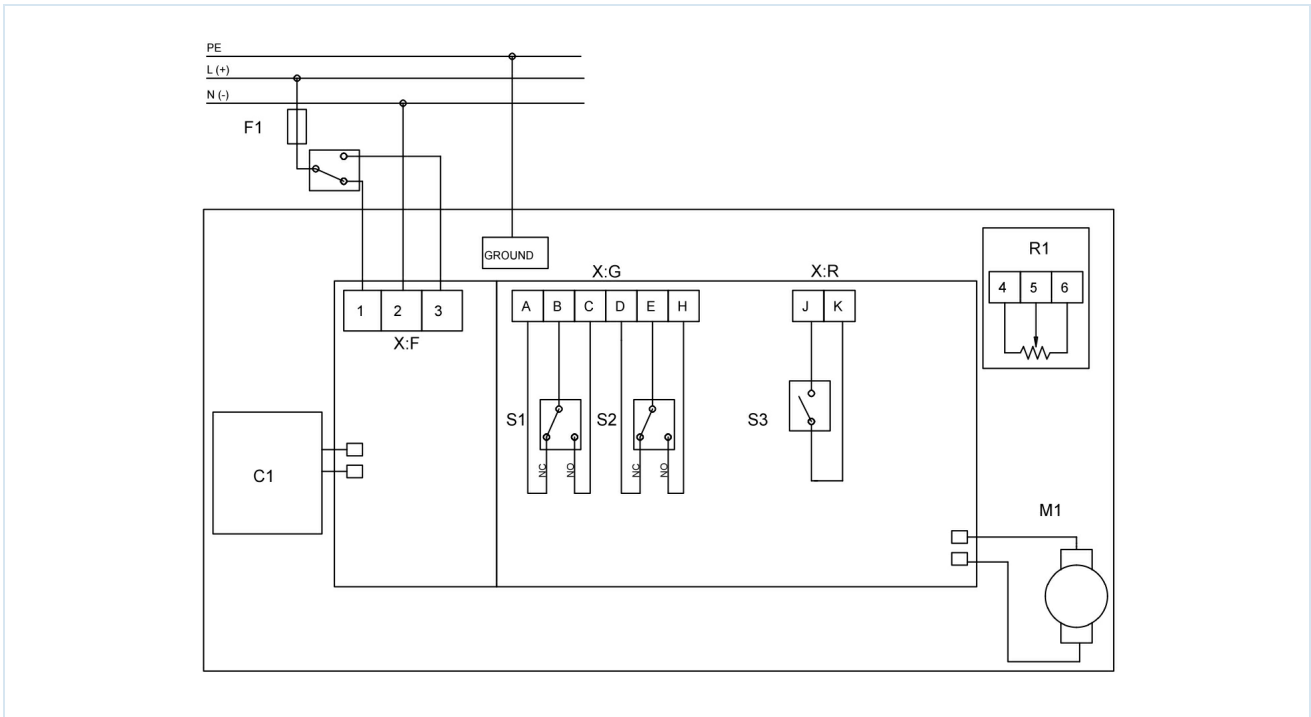
Electrical connection example VB015



Position	Description	Note
H	Heater	Standard
L	Torque limiter	Standard
MC	End position feedback signals CLOSED	Standard max. 1A/250VAC-1A/30VDC
MO	End position feedback signals ON	Standard max. 1A/250VAC-1A/30VDC
MCL	Actuator CLOSED	
MOP	Actuator OPEN	

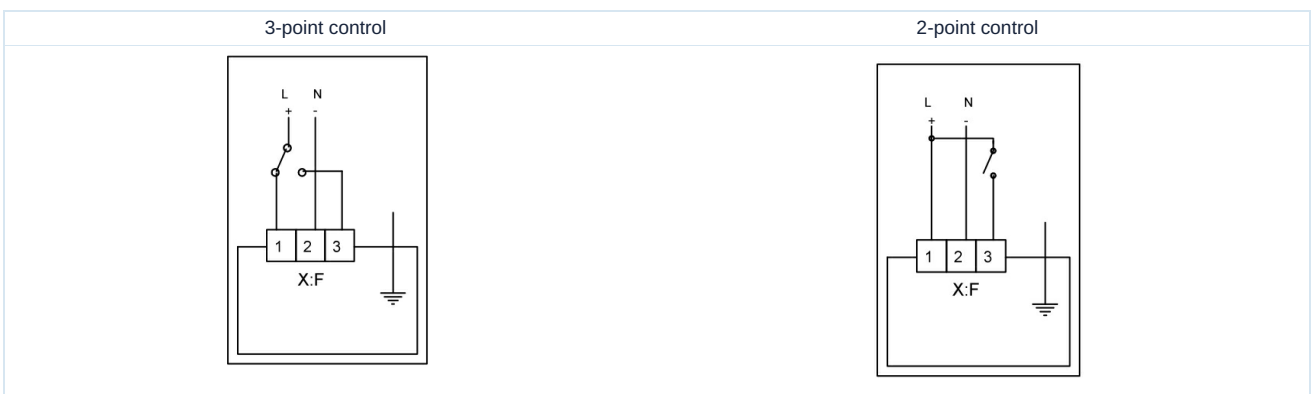


Electrical connection example VB030 - VB350

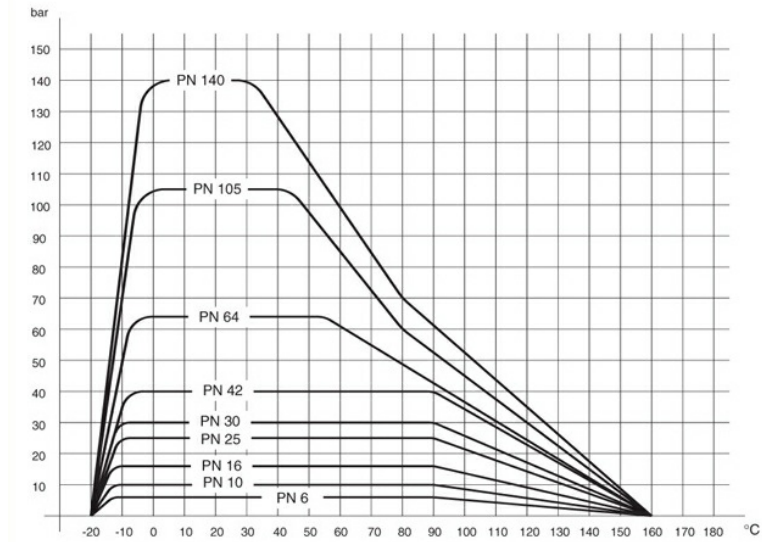


Position	Description	Note
C1	Battery pack for safety position	optional available
R1	Potentiometer 5 K Ω /1W	optional available
S1	End position feedback signals CLOSED	Standard max. 2A/250VAC-2A/30VDC
S2	End position feedback signals ON	Standard max. 2A/250VAC-2A/30VDC
S3	Fault message	Standard max. 1A/120VAC-2A/24VDC
X:F:1	Connection terminal	Actuator CLOSED
X:F:2	Connection terminal	
X:F:3	Connection terminal	Actuator OPEN

2-Point control or 3-point control by changing the electrical connection VB030 - VB350



Pressure-temperature diagram



Illustrations non-binding
Design, dimensional and material changes reserved

Armatures / Ball valves - automatically operated / Flanged ball valves - electrically operated / Flanged ball valve with electrical actuator Series 8E007

