

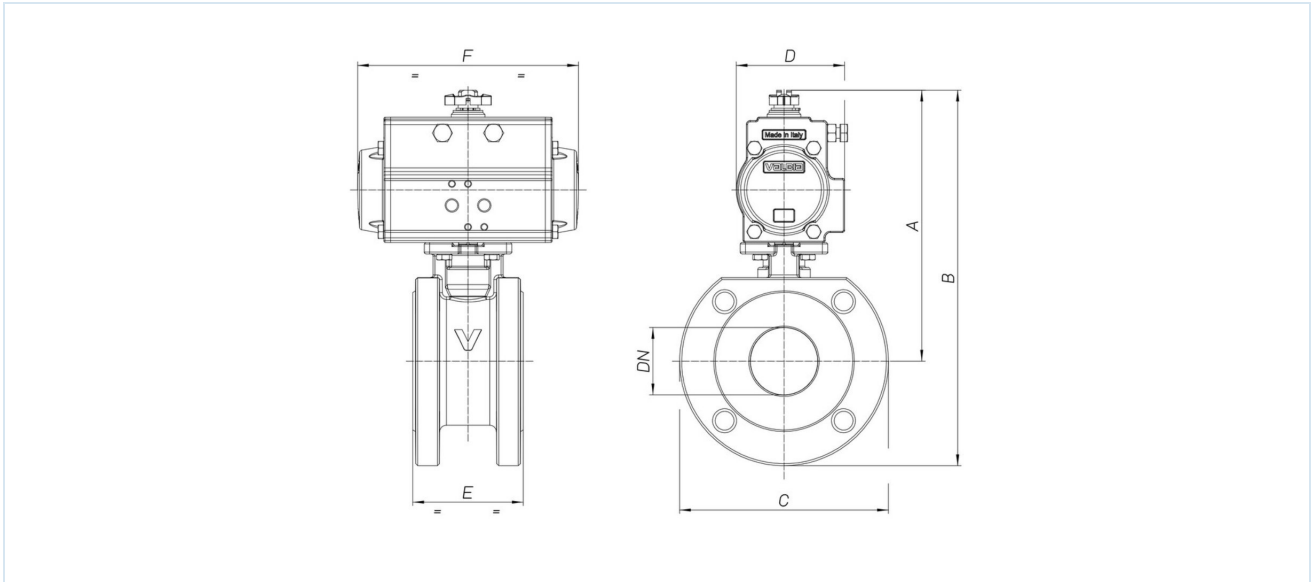
# Stainless steel flanged ball valves with pneumatic rotary actuator Series BA282



Design type	Ball valve: Shut-off valve with floating ball, full bore passage, antistatic version, Compensation borehole Actuator: piston actuator with 2 opposed pistons, elastic sealing, actuator in all details in accordance with ISO 5211 or according to NAMUR recommendations, End positions adjustable on both sides +/-5°
Connection	Flanges DN25...DN100 according to EN1092 PN16
Overall length	according to EN558-1R100
Materials Standard version	Actuator: Hard anodized aluminium, Pinion, nickel-plated steel, Piston guide POM, Seals NBR Ball valve: Body and ball stainless steel 1.4401, Seals PTFE/FKM
Function	available in double-acting or single-acting Version
Control medium	filtered and lubricated or non-lubricated compressed air
Application range	gaseous and liquid media that do not attack the materials used
Medium temperature	-20°C...+180°C
Ambient temperature	-20°C...+85°C
Operating pressure	Vacuum max. 10 <sup>-3</sup> Torr up to Nominal pressure according to table and pressure-temperature diagram
Control pressure	5,5-8 bar, Adaptation to lower pilot pressures possible on request
Mounting type	Installation in rigid piping system
Mounting position	any
Approvals	Ball valve: ATEX EX II 2G Ex h IIC T6...T1 Gb / II 2D Ex h IIIC T85°C...T450°C Db Actuator: ATEX II 2G/D c T6
Accessories	assembled manual, pneumatic or electric control valve electrical end position feedback, Positioner in I/P or P/P version Adjustment of the switching speed
Ordering note	When ordering, please also specify pilot pressure, operating medium, operating pressure and operating temperature.
Application note	The pressure and temperature specifications are maximum values for normal conditions, for lubricating or non-degreasing media. Degreasing media in particular reduce the specified values and increase the required torque. For these special cases, we recommend prior consultation. When selecting the valve, the lowest control pressure occurring in the system must be taken as the basis.



## Dimensions



### Ball valves with double-acting rotary actuator

Nominal size DN[mm]	max. operating pressure [bar] up to 85°C	A	B	C	D	E	F	Actuator type	Kv value [m³/h]	Weight [approx. kg]	Type
25	16	160	215	110	71	48	141	PAD052	64,5	3,6	BA282-25-D0-A
32	16	173	238	130	71	54	141	PAD052	103,8	4,7	BA282-32-D0-A
40	16	181	251	140	71	63,5	141	PAD052	174	5,7	BA282-40-D0-A
50	16	201	278	155	81	82	164	PAD063	301,3	8,4	BA282-50-D0-A
65	16	226	316	180	81	103	164	PAD063	545,7	12,6	BA282-65-D0-A
80	16	254	349	190	95	122	210	PAD075	872,5	16,8	BA282-80-D0-A
100	16	279	289	220	106	152	241	PAD085	1363,3	24,8	BA282-100-D0-A

### Ball valves with single-acting rotary actuator

Nominal size DN[mm]	max. operating pressure [bar] up to 85°C	A	B	C	D	E	F	Actuator type	Kv value [m³/h]	Weight [approx. kg]	Type
25	16	172	227	110	81	48	164	PAS063	64,5	4,4	BA282-25-S0-A
32	16	185	250	130	81	54	164	PAS063	103,8	5,5	BA282-32-S0-A
40	16	211	281	140	95	63,5	210	PAS075	174	7,9	BA282-40-S0-A
50	16	219	296	155	95	82	210	PAS075	301,3	10,1	BA282-50-S0-A
65	16	258	348	180	106	103	241	PAS085	545,7	15,7	BA282-65-S0-A
80	16	281	376	190	123	122	275	PAS100	872,5	21	BA282-80-S0-A
100	16	327	437	220	137	152	333	PAS115	1363,3	32,4	BA282-100-S0-A

Single-acting actuators are supplied spring-closing (NC) unless otherwise ordered.



## Pressure-temperature diagram



Illustrations non-binding

Design, dimensional and material changes reserved

Armatures / Ball valves - automatically operated / Other materials - A03 / Flanged ball valve with pneumatic actuator Series BA282

Version 4

150171 / Generated 2026/23 EN

MADE IN EUROPE

+43 512 52076

austria@stasto.eu

© STASTO Automation KG

[www.stasto.com](http://www.stasto.com)

Open series online

Page 3 / 3

