

## 3/2-way solenoid valve, air/vacuum, 1/2" to 2" series PV



design	3/2-way solenoid seat valve pilot-operated, actuation electrical/spring respectively for vacuum or low pressure application electrical/external control air/spring, manual emergency override
connection	G1/2"...G2" according to ISO228/1
materials	body aluminum, cover plastic, piston POM/steel nickel plated, seals and diaphragm polyurethane, spring stainless steel
type of fixing	through-holes in the valve body
mounting position	any
medium	filtered and lubricated or non lubricated compressed air respectively vacuum
medium temperature	-20...+60°C
ambient temperature	-20...+60°C
<b>electrical data:</b>	
type of coil	SCN, connector size 32mm
electrical connection	connector acc. to EN175301-803-form A (see separate datasheet)
standard voltage	230V/50-60Hz, 24V/50-60Hz, 24VDC
special voltage	110V/50-60Hz, 12VDC, more on request
acceptable voltage tolerance	± 10%
power consumption	see table "coil"
duty cycle	100% duty cycle (continuous operation)
protection class	IP65 according to EN 60529 for a correctly mounted connector (protection against the penetration of dust and jet water)
<b>informations:</b>	
please specify voltage and type of current by order	
CAD files are available on the STASTO Store under <a href="http://www.stasto.eu">www.stasto.eu</a>	


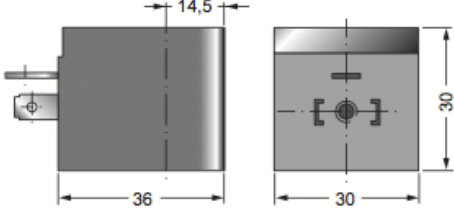
### type code actuation electrical/spring

PV32W1S	6M	12	A	SCN -	230V/50-60Hz
	6 NC	12 G1/2"	A compressed air	SCN standard coil	230V/50-60Hz
	9 NO	34 G3/4"			110V/50-60Hz
		10 G1"			24V/50-60Hz
		15 G1 1/2"			24VDC
		20 G2"			12VDC

## type code actuation electrical/external control air/spring

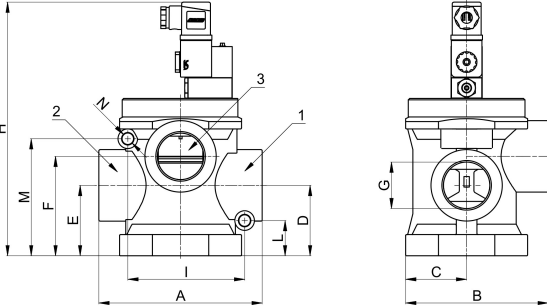
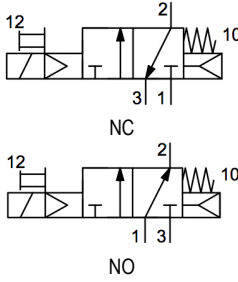
PV32W1S	6E	12	V	SCN -	230V/50-60Hz
6 NC	12 G1/2"	A	compressed air	SCN standard coil	230V/50-60Hz
9 NO	34 G3/4"	V	vacuum		110V/50-60Hz
	10 G1"				24V/50-60Hz
	15 G1 1/2"				24VDC
	20 G2"				12VDC

## coil

		voltage	power consumption at 20 °C	type
		12VDC	3W	SCN01200
		24VDC	3W	SCN02400
		24V/50-60Hz	5VA	SCN02450
		110V/50-60Hz	5VA	SCN11050
		230V/50-60Hz	5VA	SCN23050

details for connector see separate datasheet

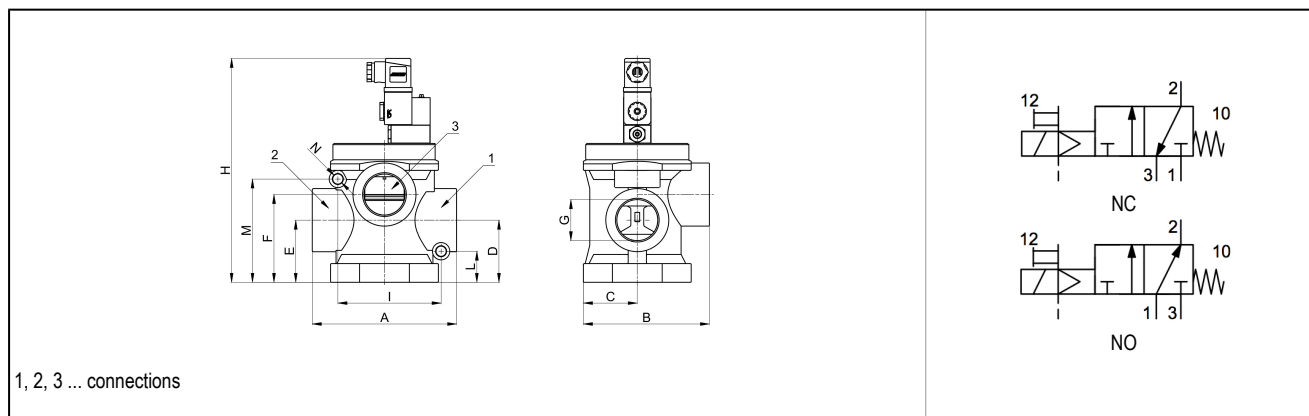
## PV32W1S.M actuation electrical/spring, application: compressed air

	
1, 2, 3 ... connections	

connection	pressure range [bar]	A	B	C	D	E	F	H	I	L	M	N	flow rate* [Nl/min]	function	type
G1/2"	3-10	78,5	75	35	30	41	50,5	163	63	21	54,5	6,5	5500	NC	PV32W1S6M12A
G1/2"	3-10	78,5	75	35	30	41	50,5	163	63	21	54,5	6,5	5500	NO	PV32W1S9M12A
G3/4"	3-10	78,5	75	35	30	41	50,5	163	63	21	54,5	6,5	6500	NC	PV32W1S6M34A
G3/4"	3-10	78,5	75	35	30	41	50,5	163	63	21	54,5	6,5	6500	NO	PV32W1S9M34A
G1"	3-10	101	94	45	38	51	64	179	76	25,5	62,5	8,4	13500	NC	PV32W1S6M10A
G1"	3-10	101	94	45	38	51	64	179	76	25,5	62,5	8,4	13500	NO	PV32W1S9M10A
G1 1/2"	3-10	158	138	84	68	68	98	228	113	34	113	11	35000	NC	PV32W1S6M15A
G1 1/2"	3-10	158	138	84	68	68	98	228	113	34	113	11	35000	NO	PV32W1S9M15A
G2"	3-10	210	183,5	79	92	92	129	300	150	48	152	13	60000	NC	PV32W1S6M20A
G2"	3-10	210	183,5	79	92	92	129	300	150	48	152	13	60000	NO	PV32W1S9M20A

\*reference pressure 6bar, reference temperature 20°C

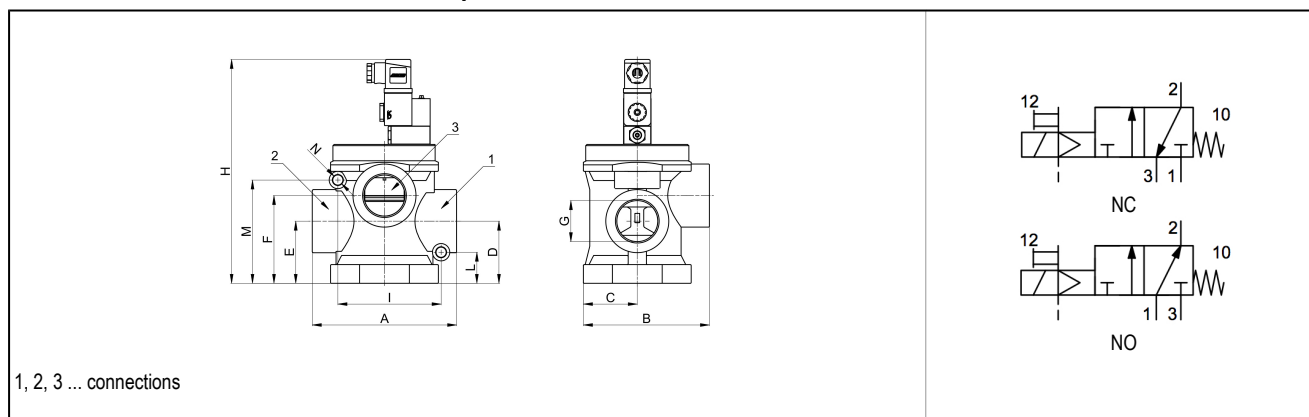
**PV32W1S.E actuation electrical/external control air/spring, application: low pressure**  
**external control air connection, control pressure 3-10bar**



connection	control port	pressure range [bar]	A	B	C	D	E	F	H	I	L	M	N	flow rate* [NI/min]	function	type
G1/2"	M5	0-10	78,5	75	35	30	41	50,5	163	63	21	54,5	6,5	5500	NC	PV32W1S6E12A
G1/2"	M5	0-10	78,5	75	35	30	41	50,5	163	63	21	54,5	6,5	5500	NO	PV32W1S9E12A
G3/4"	M5	0-10	78,5	75	35	30	41	50,5	163	63	21	54,5	6,5	6500	NC	PV32W1S6E34A
G3/4"	M5	0-10	78,5	75	35	30	41	50,5	163	63	21	54,5	6,5	6500	NO	PV32W1S9E34A
G1"	M5	0-10	101	94	45	38	51	64	179	76	25,5	62,5	8,4	13500	NC	PV32W1S6E10A
G1"	M5	0-10	101	94	45	38	51	64	179	76	25,5	62,5	8,4	13500	NO	PV32W1S9E10A
G1 1/2"	1/8"	0-10	158	138	84	68	68	98	228	113	34	113	11	35000	NC	PV32W1S6E15A
G1 1/2"	1/8"	0-10	158	138	84	68	68	98	228	113	34	113	11	35000	NO	PV32W1S9E15A
G2"	1/8"	0-10	210	183,5	79	92	92	129	300	150	48	152	13	60000	NC	PV32W1S6E20A
G2"	1/8"	0-10	210	183,5	79	92	92	129	300	150	48	152	13	60000	NO	PV32W1S9E20A

\*reference pressure 6bar, reference temperature 20°C

**PV32W1S.E actuation electrical/external control air/spring, application: vacuum**  
**external control air connection, control pressure 3-10bar**



connection G	control port	pressure range [bar]	A	B	C	D	E	F	H	I	L	M	N	flow rate* vacuum [NI/min]	function	type
G1/2"	M5	-1/0	78,5	75	35	30	41	50,5	163	63	21	54,5	6,5	333	NC	PV32W1S6E12V
G1/2"	M5	-1/0	78,5	75	35	30	41	50,5	163	63	21	54,5	6,5	333	NO	PV32W1S9E12V
G3/4"	M5	-1/0	78,5	75	35	30	41	50,5	163	63	21	54,5	6,5	584	NC	PV32W1S6E34V
G3/4"	M5	-1/0	78,5	75	35	30	41	50,5	163	63	21	54,5	6,5	584	NO	PV32W1S9E34V
G1"	1/8"	-1/0	101	94	45	38	51	64	179	76	25,5	62,5	8,4	1500	NC	PV32W1S6E10V
G1"	1/8"	-1/0	101	94	45	38	51	64	179	76	25,5	62,5	8,4	1500	NO	PV32W1S9E10V
G1 1/2"	1/8"	-1/0	158	138	84	68	68	98	228	113	34	113	11	3000	NC	PV32W1S6E15V
G1 1/2"	1/8"	-1/0	158	138	84	68	68	98	228	113	34	113	11	3000	NO	PV32W1S9E15V
G2"	1/8"	-1/0	210	183,5	79	92	92	129	300	150	48	152	13	4170	NC	PV32W1S6E20V
G2"	1/8"	-1/0	210	183,5	79	92	92	129	300	150	48	152	13	4170	NO	PV32W1S9E20V

\*reference pressure -1bar, reference temperature 20°C

illustrations are non-binding  
 all designs, configurations, measurements and materials are subject to change without prior notice