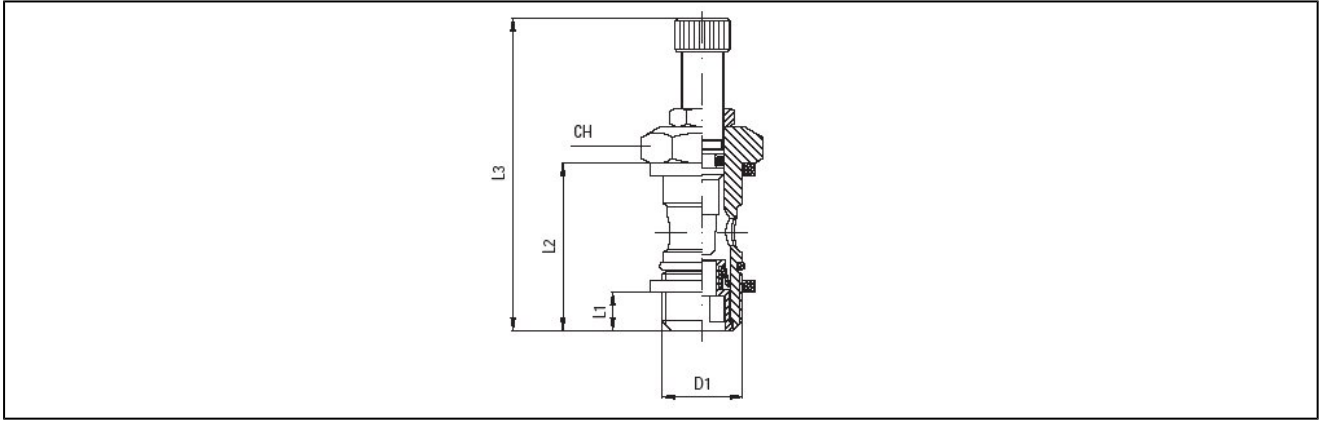


unidirectional banjo flow control valve series UFC05



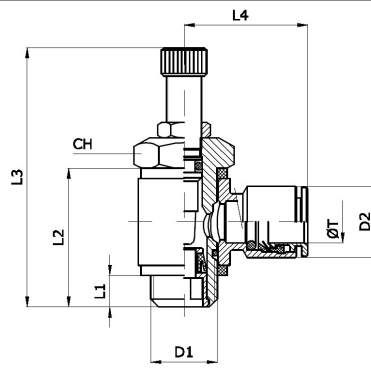
design	needle valve
material	body nickel plated brass, seals NBR and polyamide (PA)
function	flow control in one direction, open passage in opposite direction, operation with slotted or knurled screw and fixing with the hex-nut
connection	M5 according to ISO R/262, G1/8"...G1/2" according to ISO228/1
outside diameter of hose push-in fitting	4mm, 6mm, 8mm, 10mm and 12mm
hose tolerance push-in fitting	+/-0,05mm up to diameter 10mm, +/-0,1mm from diameter 12mm
recommended hoses push-in fitting	polyamide (PA), polyurethane (CP/PU), polyethylene (PE), polyamide high flexible (PF)
outside diameter of hose screw fitting	6mm, 8mm and 10mm
recommended hoses screw fitting	polyamide (PA), polyurethane (CP/PU), polyethylene (PE), polyamide high flexible (PF), PTFE (PT)
hose tolerance screw fitting	+/-0,05mm up to diameter 10mm
mounting position	any
medium	compressed air, neutral gases
medium temperature	-20...+80°C
operating pressure	0...10bar

dimensions without banjo



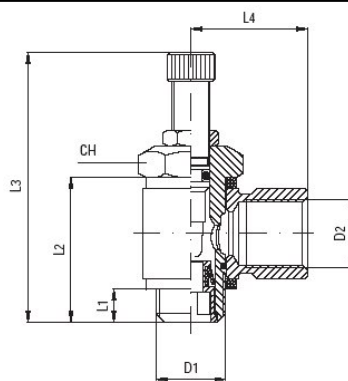
D1	L1	L2	L3max.	direction of flow control	CH	weight [g]	type
M5	4	15,2	39,1	from thread to banjo (exhaust air)	8	6,5	UFC05-C-M5-W
G1/8"	5,1	23,7	41,7	from thread to banjo (exhaust air)	14	20,2	UFC05-C-18-W
G1/4"	6,7	27,2	48,8	from thread to banjo (exhaust air)	17	37,9	UFC05-C-14-W
G3/8"	7,4	31	62,2	from thread to banjo (exhaust air)	20	73	UFC05-C-38-W
G1/2"	9,9	37,9	76	from thread to banjo (exhaust air)	26	137,3	UFC05-C-12-W
M5	4	15,2	39,1	from banjo to thread (supply air)	8	6,5	UFC05-V-M5-W
G1/8"	5,1	23,7	41,7	from banjo to thread (supply air)	14	20,2	UFC05-V-18-W
G1/4"	6,7	27,2	48,8	from banjo to thread (supply air)	17	37,9	UFC05-V-14-W
G3/8"	7,4	31	62,2	from banjo to thread (supply air)	20	73	UFC05-V-38-W

dimensions push-in fitting-banjo



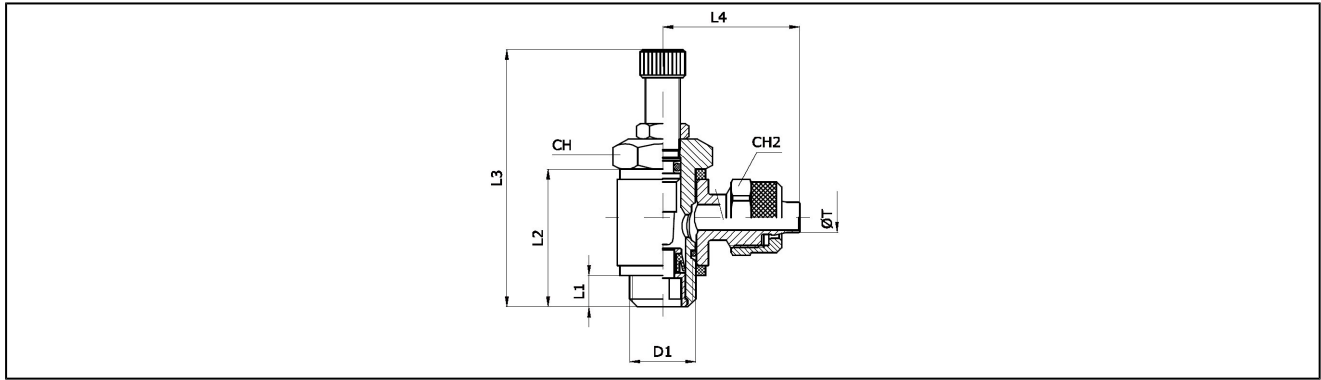
D1	D2	ØT outside diameter of hose	L1	L2	L3max.	L4	direction of flow control	CH	weight [g]	type
M5	9	4	4	15,2	39,1	18	from thread to hose (exhaust air)	8	21	UFC05-C-M5-04
M5	12	6	4	15,2	39,1	20,5	from thread to hose (exhaust air)	8	21	UFC05-C-M5-06
G1/8"	9	4	5,1	23,7	41,7	19,5	from thread to hose (exhaust air)	14	30	UFC05-C-18-04
G1/8"	12	6	5,1	23,7	41,7	22	from thread to hose (exhaust air)	14	33	UFC05-C-18-06
G1/4"	12	6	6,7	27,2	48,8	23,5	from thread to hose (exhaust air)	17	55	UFC05-C-14-06
G1/4"	14	8	6,7	27,2	48,8	24	from thread to hose (exhaust air)	17	56	UFC05-C-14-08
G3/8"	14	8	7,4	31	62,2	26	from thread to hose (exhaust air)	20	91	UFC05-C-38-08
G3/8"	16	10	7,4	31	62,2	28	from thread to hose (exhaust air)	20	98	UFC05-C-38-10
G1/2"	18	12	9,9	37,9	76	31	from thread to hose (exhaust air)	26	164	UFC05-C-12-12
M5	9	4	4	15,2	39,1	18	from hose to thread (supply air)	8	21	UFC05-V-M5-04
M5	12	6	4	15,2	39,1	20,5	from hose to thread (supply air)	8	21	UFC05-V-M5-06
G1/8"	9	4	5,1	23,7	41,7	19,5	from hose to thread (supply air)	14	30	UFC05-V-18-04
G1/8"	12	6	5,1	23,7	41,7	22	from hose to thread (supply air)	14	33	UFC05-V-18-06
G1/4"	12	6	6,7	27,2	48,8	23,5	from hose to thread (supply air)	17	55	UFC05-V-14-06
G1/4"	14	8	6,7	27,2	48,8	24	from hose to thread (supply air)	17	56	UFC05-V-14-08
G3/8"	14	8	7,4	31	62,2	26	from hose to thread (supply air)	20	91	UFC05-V-38-08
G3/8"	16	10	7,4	31	62,2	28	from hose to thread (supply air)	20	98	UFC05-V-38-10

dimensions banjo with female thread



D1	D2	L1	L2	L3max.	L4	direction of flow control	CH	weight [g]	type
M5	M5	4	15,2	39,1	11	from thread to banjo (exhaust air)	8	12	UFC05-C-M5-FM5
G1/8"	G1/8"	5,1	23,7	41,7	16	from thread to banjo (exhaust air)	14	37	UFC05-C-18-F18
G1/4"	G1/4"	6,7	27,2	48,8	22	from thread to banjo (exhaust air)	17	65	UFC05-C-14-F14
G3/8"	G3/8"	7,4	31	62,2	26	from thread to banjo (exhaust air)	20	112	UFC05-C-38-F38
G1/2"	G1/2"	9,9	37,9	76	32	from thread to banjo (exhaust air)	26	202	UFC05-C-12-F12
M5	M5	4	15,2	39,1	11	from banjo to thread (supply air)	8	12	UFC05-V-M5-FM5
G1/8"	G1/8"	5,1	23,7	41,7	16	from banjo to thread (supply air)	14	37	UFC05-V-18-F18
G1/4"	G1/4"	6,7	27,2	48,8	22	from banjo to thread (supply air)	17	65	UFC05-V-14-F14
G3/8"	G3/8"	7,4	31	62,2	26	from banjo to thread (supply air)	20	112	UFC05-V-38-F38

dimensions screw fitting-banjo



D1	diameter of hose ØT D/d [mm]	L1	L2	L3max.	L4	direction of flow control	CH	CH2	weight [g]	type
M5	6/4	4	15,2	39,1	19	from thread to hose (exhaust air)	8	9	13	UFC05-C-M5-S06
G1/8"	6/4	5,1	23,7	41,7	25	from thread to hose (exhaust air)	14	12	40	UFC05-C-18-S06
G1/4"	6/4	6,7	27,2	48,8	26,5	from thread to hose (exhaust air)	17	12	60	UFC05-C-14-S06
G1/4"	8/6	6,7	27,2	48,8	27,5	from thread to hose (exhaust air)	17	14	62	UFC05-C-14-S08
G3/8"	8/6	7,4	31	62,2	29,5	from thread to hose (exhaust air)	20	14	112	UFC05-C-38-S08
G3/8"	10/8	7,4	31	62,2	30,5	from thread to hose (exhaust air)	20	16	114	UFC05-C-38-S10
M5	6/4	4	15,2	39,1	19	from hose to thread (supply air)	8	9	13	UFC05-V-M5-S06
G1/8"	6/4	5,1	23,7	41,7	25	from hose to thread (supply air)	14	12	40	UFC05-V-18-S06
G1/4"	6/4	6,7	27,2	48,8	26,5	from hose to thread (supply air)	17	12	60	UFC05-V-14-S06
G1/4"	8/6	6,7	27,2	48,8	27,5	from hose to thread (supply air)	17	14	62	UFC05-V-14-S08
G3/8"	8/6	7,4	31	62,2	29,5	from hose to thread (supply air)	20	14	112	UFC05-V-38-S08
G3/8"	10/8	7,4	31	62,2	30,5	from hose to thread (supply air)	20	16	114	UFC05-V-38-S10

illustrations are non-binding

all designs, configurations, measurements and materials are subject to change without prior notice