

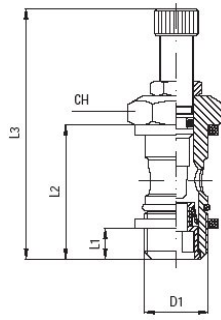
Swivel throttle valve Series FC04



Design type	Needle valve
Material	Body Nickel-plated brass, Seals NBR and Polyamide (PA)
Function	Throttle direction both sides, Actuation with slotted or knurled screw and locking by the hex nut
Connection	M5 after ISO R/262, G1/8"..."G1/2" after ISO228/1
Hose outside diameter Push-in fitting	4mm, 6mm, 8mm, 10mm and 12mm
Hose tolerances Push-in fitting	+/-0,05mm up to diameter 10mm, +/-0,1mm from diameter 12mm
recommended hoses Push-in fitting	Polyamide (PA), Polyurethane (CP/PU), Polyethylene (PE), Polyamide - highly flexible (PF)
Hose outside diameter Screw fitting	6mm, 8mm and 10mm
recommended hoses Screw fitting	Polyamide (PA), Polyurethane (CP/PU), Polyethylene (PE), Polyamide - highly flexible (PF), PTFE (PT)
Hose tolerances Screw fitting	+/-0,05mm up to diameter 10mm
Mounting position	any
Medium	Compressed air, neutral gases
Medium temperature	-20...+80°C
Operating pressure	0...10bar

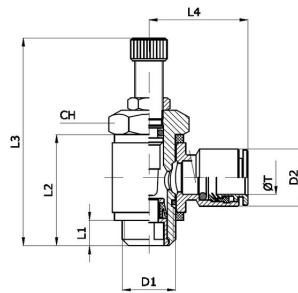


Dimensions without ring piece



D1	L1	L2	L3max.	CH	Weight [g]	Type
M5	4	15,2	39,1	8	6,5	FC04-M5-W
G1/8"	5,1	23,7	41,7	14	20,2	FC04-18-W
G1/4"	6,7	27,2	48,8	17	37,9	FC04-14-W
G3/8"	7,4	31	62,2	20	73	FC04-38-W
G1/2"	9,9	37,9	76	26	137,3	FC04-12-W

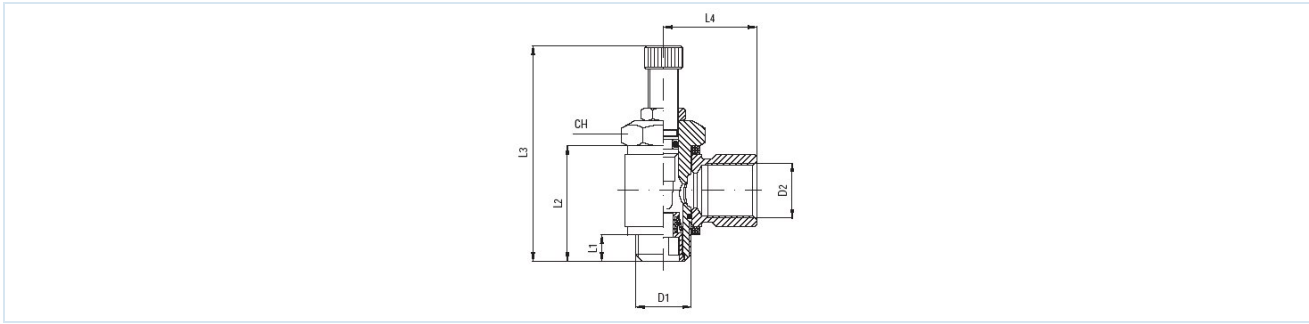
Dimensions Push-in fitting ring piece



D1	D2	ØT Hose outer diameter	L1	L2	L3max.	L4	CH	Weight [g]	Type
M5	9	4	4	15,2	39,1	18	8	21	FC04-M5-04
M5	12	6	4	15,2	39,1	20,5	8	21	FC04-M5-06
G1/8"	9	4	5,1	23,7	41,7	19,5	14	30	FC04-18-04
G1/8"	12	6	5,1	23,7	41,7	22	14	33	FC04-18-06
G1/4"	12	6	6,7	27,2	48,8	23,5	17	55	FC04-14-06
G1/4"	14	8	6,7	27,2	48,8	24	17	56	FC04-14-08
G3/8"	14	8	7,4	31	62,2	26	20	91	FC04-38-08
G3/8"	16	10	7,4	31	62,2	28	20	98	FC04-38-10
G1/2"	18	12	9,9	37,9	76	31	26	164	FC04-12-12

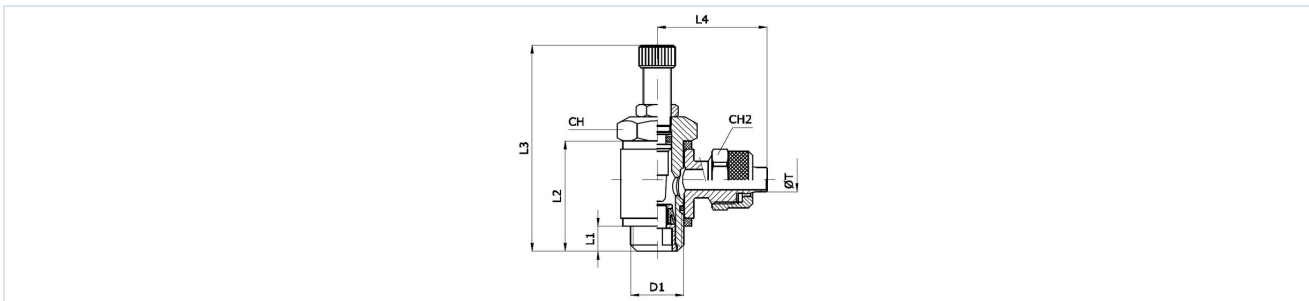


Dimensions Female threaded ring fitting



D1	D2	L1	L2	L3max.	L4	CH	Weight [g]	Type
M5	M5	4	15,2	39,1	11	8	12	FC04-M5-FM5
G1/8"	G1/8"	5,1	23,7	41,7	16	14	37	FC04-18-F18
G1/4"	G1/4"	6,7	27,2	48,8	22	17	65	FC04-14-F14
G3/8"	G3/8"	7,4	31	62,2	26	20	112	FC04-38-F38
G1/2"	G1/2"	9,9	37,9	76	32	26	202	FC04-12-F12

Dimensions Push-in fitting ring piece



D1	Hose diameter ØT D/d [mm]	L1	L2	L3max.	L4	CH	CH2	Weight [g]	Type
M5	6/4	4	15,2	39,1	19	8	9	13	FC04-M5-S06
G1/8"	6/4	5,1	23,7	41,7	25	14	12	40	FC04-18-S06
G1/4"	6/4	6,7	27,2	48,8	26,5	17	12	60	FC04-14-S06
G1/4"	8/6	6,7	27,2	48,8	27,5	17	14	62	FC04-14-S08
G3/8"	8/6	7,4	31	62,2	29,5	20	14	112	FC04-38-S08
G3/8"	10/8	7,4	31	62,2	30,5	20	16	114	FC04-38-S10

Illustrations non-binding
Design, dimensional and material changes reserved

Pneumatics / Flow control valves / Bidirectional flow control valves / Banjo flow control valve Series FC04-W

