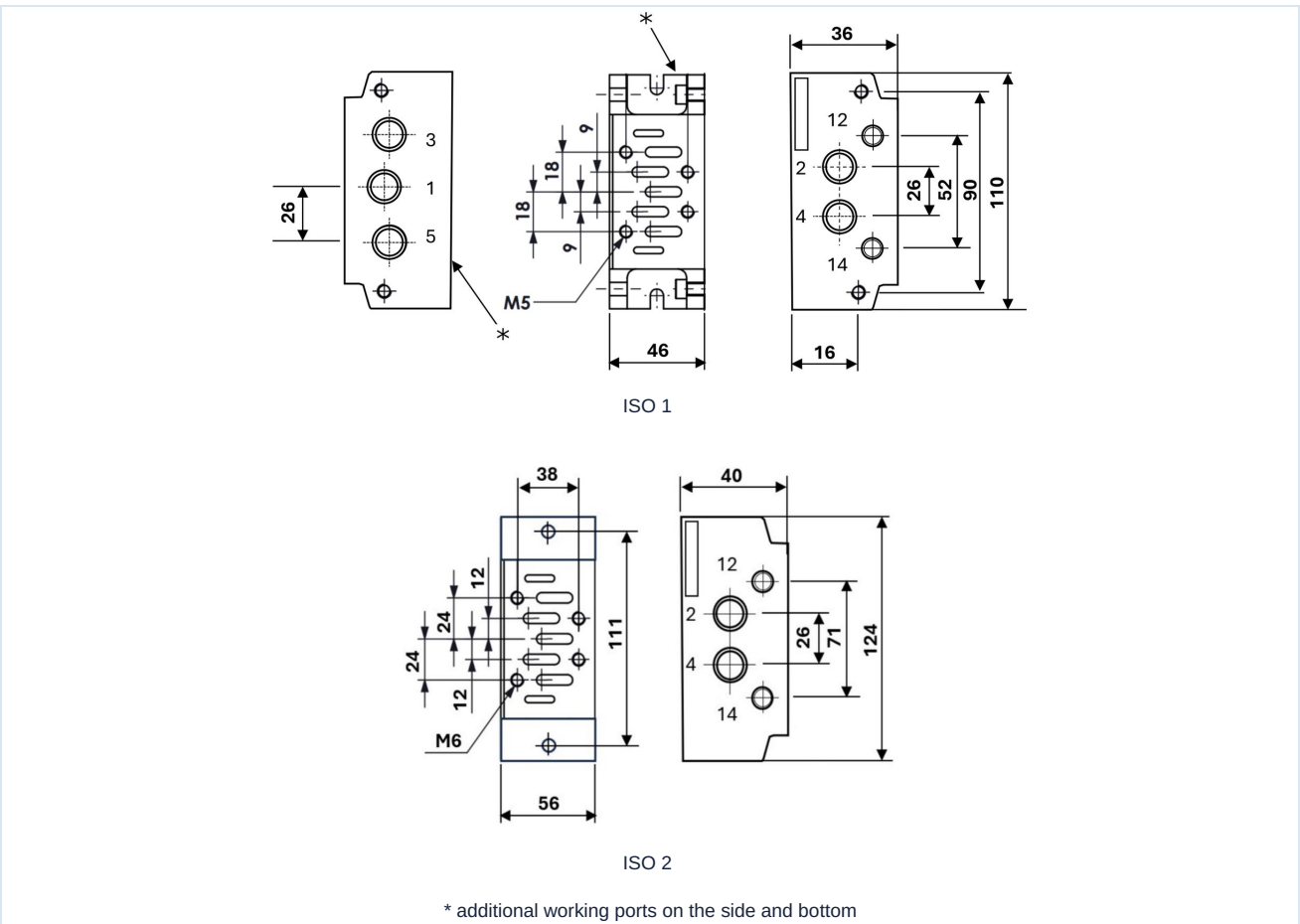


Sub-bases for ISO valves of series PS/PP110, PS/PP111, PS/PP112, size 1 and 2



Design type	according to ISO 5599/1 and VDMA 24345
Material	Aluminium
Scope of delivery	Battery connection plates are supplied incl. O-rings, mounting screws and sealing screws

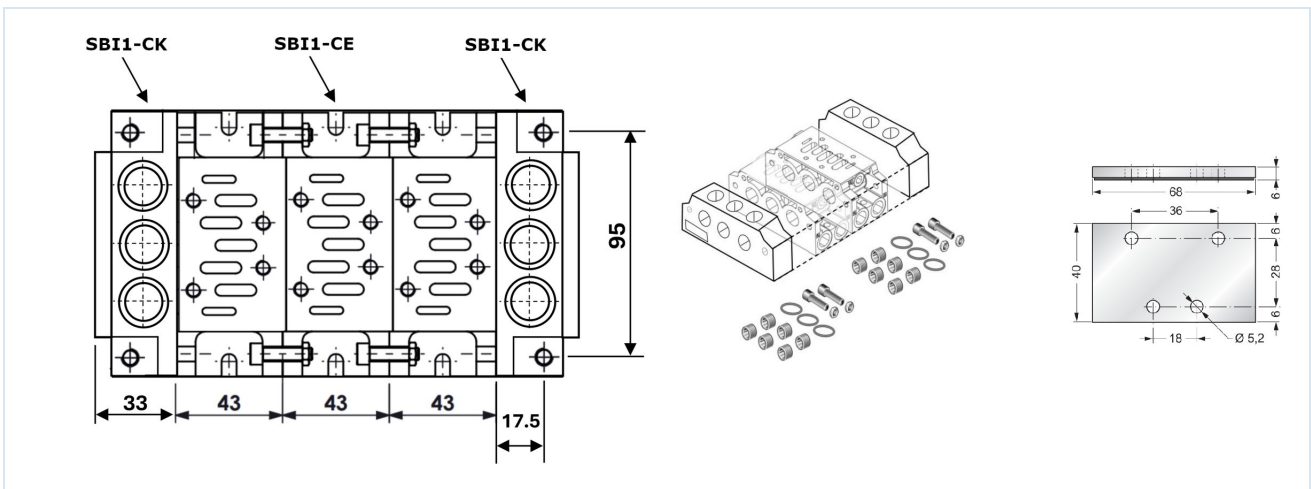
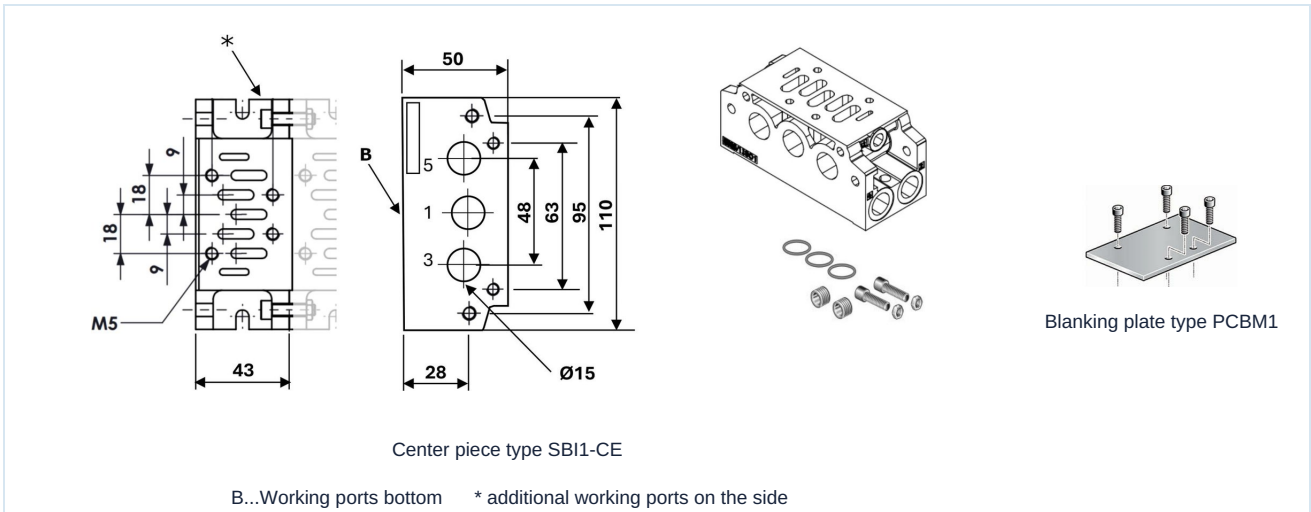
Single sub-base plate



Size	Pressure port	Working ports	Control ports	Type
ISO 1	1/4"	1/4"	1/8"	SBI1-SBL
ISO 2	3/8"	3/8"	1/8"	SBI2-SL



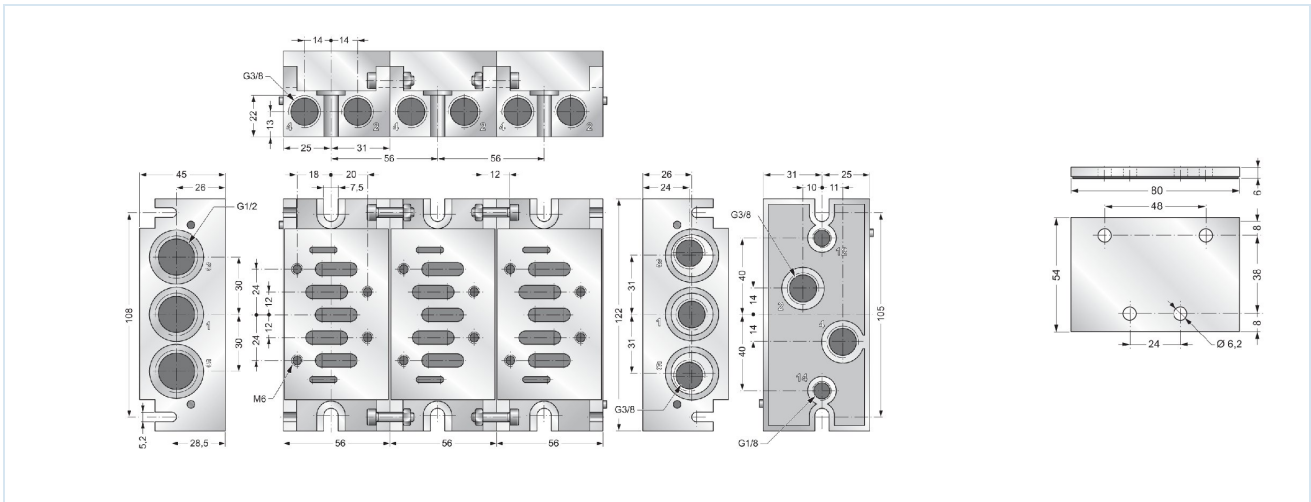
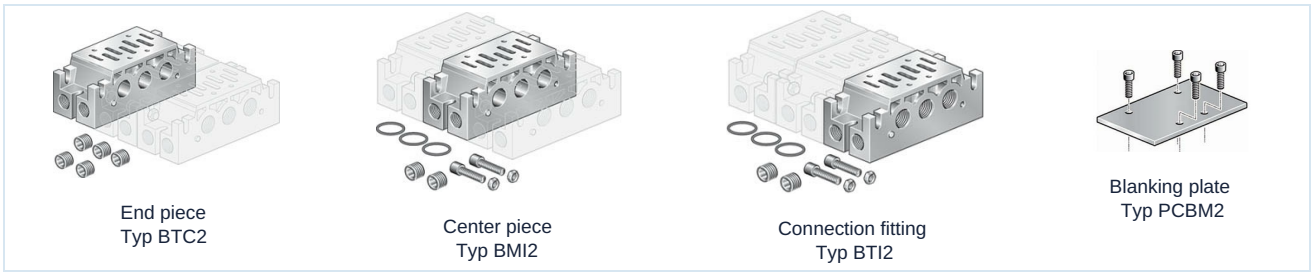
Battery connection plates, blanking plate - ISO 1



Size	Variant	Pressure port	Working ports	Control ports	Type
ISO 1	Connection-/End piece	3/8"	-	-	SBI1-CK
ISO 1	Center piece	-	1/4"	1/8"	SBI1-CE
ISO 1	Blanking plate	-	-	-	PCBM1

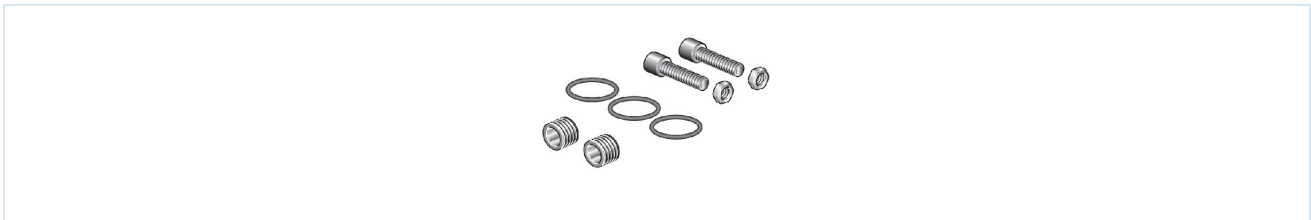


Battery connection plates, Blanking plate - ISO 2



Size	Variant	Pressure port	Working ports	Control ports	Type
ISO 2	End piece	3/8"	3/8"	1/8"	BTC2
ISO 2	Center piece	-	3/8"	1/8"	BMI2
ISO 2	Connection fitting	1/2"	3/8"	1/8"	BTI2
ISO 2	Blanking plate	-	-	-	PCBM2

Mounting kit



Size	Type
ISO 2	KM2

Illustrations non-binding
Design, dimensional and material changes reserved

Pneumatics / Way-valves - electrically / pneumatically / 5/2- 5/3-way valves - ISO / Single sub base Series SBI-S

Version 10

150464 / Generated 2026/26 EN

MADE IN EUROPE

+43 512 52076

austria@stasto.eu

© STASTO Automation KG

www.stasto.com

Open series online

Page 3 / 3

