

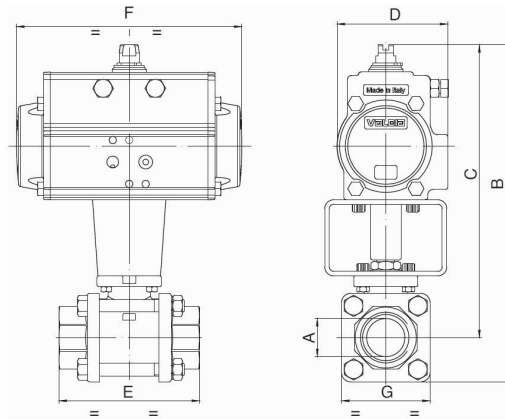
Stainless steel ball valves with pneumatic rotary actuator 1/4" up to 4" Series BAC1-...-SSTV



Design type	Ball valve: Shut-off valve with floating ball, full bore passage, Compensation borehole Actuator: piston actuator with 2 opposed pistons, elastic sealing, actuator in all details in accordance with ISO 5211 or according to NAMUR recommendations, End positions adjustable on both sides +/-5°
Function	available in double-acting or single-acting Version
Connection	RP1/4"...RP4" according to ISO7/1
Materials Standard version	Actuator: Hard anodized aluminium, Pinion, nickel-plated steel, Piston guide POM, Seals NBR Ball valve: Body and ball stainless steel 1.4401, Ball seal PTFE, Spindle seal PTFE/FKM
Application range	gaseous and liquid media that do not attack the materials used
Medium temperature	-20°C...+160°C
Ambient temperature	-20°C...+85°C
Operating pressure	0bar up to Operating pressure according to table and pressure-temperature diagram, suitable for rough vacuum
Control medium	filtered and lubricated or non-lubricated compressed air
Control pressure	5,5-8 bar, Adaptation to lower pilot pressures possible on request
Mounting type	Installation in rigid piping system
Mounting position	any
Special version	Ball valve: ATEX EX II 2G Ex h IIC T6...T1 Gb / II 2D Ex h IIIC T85°C...T450°C Db, Actuator: ATEX EX II 2G Ex h IIC T6...T3 Gb / II 2D Ex h IIIC T85°C...T200°C Db Stainless steel pinion, Ambient temperatures from -40°C...+85°C, or rather -20°C...+150°C
Accessories	assembled manual, pneumatic or electric control valve electrical end position feedback, Positioner in I/P or P/P version Adjustment of the switching speed
Ordering note	When ordering, please also specify pilot pressure, operating medium, operating pressure and operating temperature.
Application note	The pressure and temperature specifications are maximum values for normal conditions, for lubricating or non-degreasing media. Degreasing media in particular reduce the specified values and increase the required torque. For these special cases, we recommend prior consultation. When selecting the valve, the lowest control pressure occurring in the system must be taken as the basis.



Dimensions



Ball valves with double-acting rotary actuator

Connection A	Nominal size DN[mm]	max. operating pressure [bar] up to 85°C	B	C	D	E	F	G	Actuator type	Kv value [m³/h]	Weight [approx. kg]	Type
RP1/4"	8	64	128	111	45	57	110	33	PAD032	5,4	0,9	BAC1-002-SSTV-D0
RP1/4"	8	64	164,5	147,5	71	57	141	33	PAD052	5,4	1,7	BAC1-002-SSTV-D0B*
RP3/8"	10	64	128	111	45	57	110	33	PAD032	6	0,9	BAC1-003-SSTV-D0
RP3/8"	10	64	164,5	147,5	71	57	141	33	PAD052	6	1,7	BAC1-003-SSTV-D0B*
RP1/2"	15	64	135	116	45	65	110	38	PAD032	16,3	1,0	BAC1-004-SSTV-D0
RP1/2"	15	64	171,5	152,5	71	65	141	38	PAD052	16,3	1,8	BAC1-004-SSTV-D0B*
RP3/4"	20	40	212	188	71	76	141	47	PAD052	29,5	2,1	BAC1-005-SSTV-D0
RP1"	25	40	222	193	71	92	141	58	PAD052	43	2,7	BAC1-006-SSTV-D0
RP1 1/4"	32	25	230	197	71	106	141	67	PAD052	89	3,2	BAC1-007-SSTV-D0
RP1 1/2"	40	25	267	229	81	116	164	76	PAD063	230	4,7	BAC1-008-SSTV-D0
RP2"	50	25	298	253	95	136	210	90	PAD075	265	6,9	BAC1-009-SSTV-D0
RP2 1/2"	65	16	348	281	106	153	241	134	PAD085	540	13,1	BAC1-010-SSTV-D0
RP3"	80	16	373	292	106	180	241	161	PAD085	873	19,6	BAC1-011-SSTV-D0
RP4"	100	16	436	341	123	217	275	190	PAD100	1390	29,7	BAC1-012-SSTV-D0

*With the suffix B, the ball valves are equipped with the PAD052 actuator. When using limit switch boxes and NAMUR control valves, B types must be used.

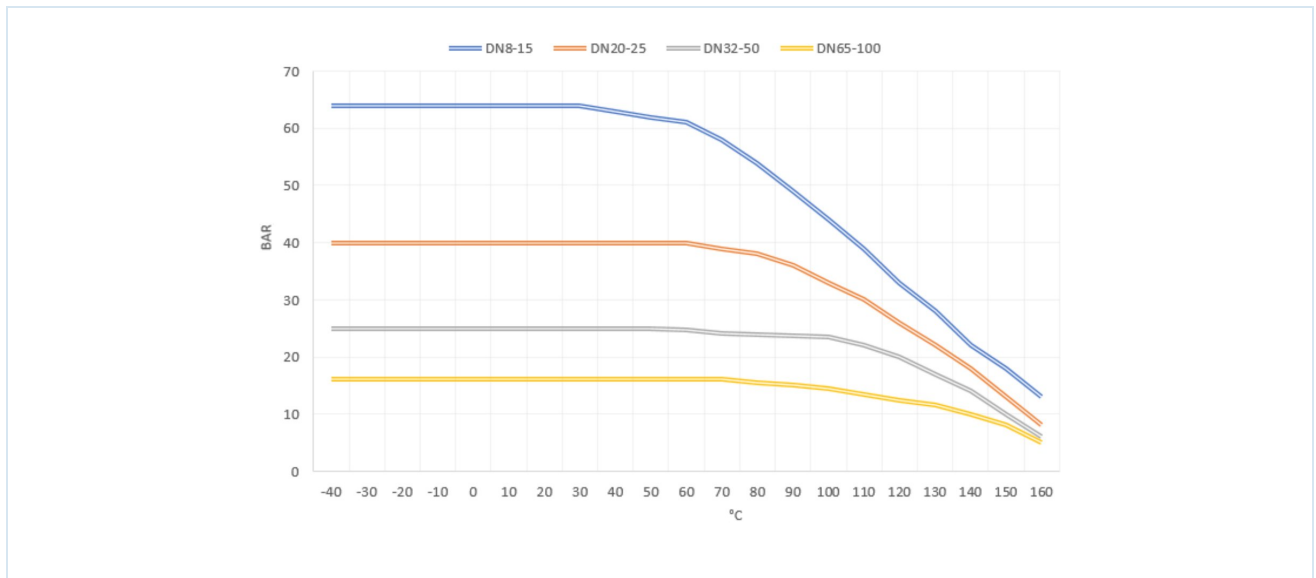


Ball valves with single-acting rotary actuator

Connection A	Nominal size DN[mm]	max. operating pressure [bar] up to 85°C	B	C	D	E	F	G	Actuator type	Kv value [m³/h]	Weight [approx. kg]	Type
RP1/4"	8	64	164	148	71	57	141	33	PAS0525	5,4	2,0	BAC1-002-SSTV-S0
RP3/8"	10	64	164	148	71	57	141	33	PAS0525	6	2,0	BAC1-003-SSTV-S0
RP1/2"	15	64	171	152	71	65	141	38	PAS0525	16,3	2,1	BAC1-004-SSTV-S0
RP3/4"	20	40	224	200	81	76	164	47	PAS0635	29,5	3,1	BAC1-005-SSTV-S0
RP1"	25	40	234	205	81	92	164	58	PAS0635	43	3,7	BAC1-006-SSTV-S0
RP1 1/4"	32	25	242	209	81	106	164	67	PAS0635	89	4,3	BAC1-007-SSTV-S0
RP1 1/2"	40	25	299	261	106	116	241	76	PAS0855	230	7,8	BAC1-008-SSTV-S0
RP2"	50	25	326	281	123	136	275	90	PAS1005	265	12,0	BAC1-009-SSTV-S0
RP2 1/2"	65	16	415	348	137	153	333	134	PAS1155	540	23,7	BAC1-010-SSTV-S0
RP3"	80	16	452	371	148	180	372	161	PAS1255	873	28,3	BAC1-011-SSTV-S0
RP4"	100	16	482	387	148	217	372	190	PAS1255	1390	37,2	BAC1-012-SSTV-S0

Single-acting actuators are supplied spring-closing (NC) unless otherwise ordered.

Pressure-temperature diagram



Illustrations non-binding

Design, dimensional and material changes reserved

Armatures / Ball valves - automatically operated / Ball valves - pneumatically operated / Ball valve with pneumatic actuator Series BAC1

