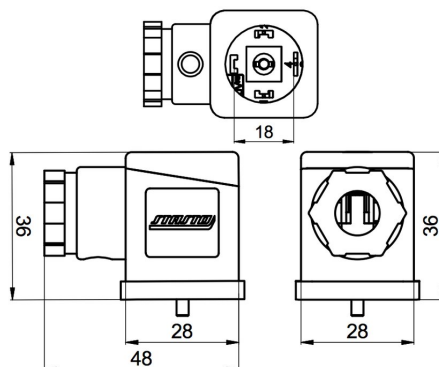


Appliance socket



| | |
|---------------------------------|---|
| Design type | Appliance socket according to EN175301-803 Form A, Connector width 32mm |
| Ambient temperature | -25...+90°C |
| Cable gland | M20x1,5, Cable diameter 6-8mm |
| Connectable cable cross-section | 0,5-1,5mm ² |
| Degree of protection | IP65 according to EN 60529 |
| Scope of delivery | incl. mounting screw and seal NBR |

Dimensions



Circuit variants

| Circuit diagram | Description |
|-----------------|--|
| | 2-pole, without wiring |
| | 3-pin, without wiring |
| | bipolar LED and varistor |
| | Bridge rectifier and varistor |
| | Bridge rectifier with varistor and bipolar LED |

| Description | Voltage | Operating current max. | Type |
|--|-------------|------------------------|----------------|
| Appliance socket 2-pole | 0-250VAC/DC | 10A | C003-32-6 |
| Appliance socket 3-pole | 0-250VAC/DC | 10A | C003-42-6 |
| Appliance socket with varistor and bipolar yellow LED | 230VAC/DC | 1,5A | C003-32-LV-1 |
| Appliance socket with varistor and bipolar yellow LED | 24VAC/DC | 1,5A | C003-32-LV-2 |
| Appliance socket with bridge rectifier and varistor | 230VAC | 3A | C003-32-V-3-R |
| Appliance socket with bridge rectifier, with varistor and bipolar yellow LED | 230VAC | 1,5A | C003-32-LV-3-R |
| Appliance socket with bridge rectifier, with varistor and bipolar yellow LED | 24VAC | 1,5A | C003-32-LV-5-R |

Illustrations non-binding

Design, dimensional and material changes reserved

[Armatures](#) / [Solenoid valves for liquids and gases](#) / [Coils and connectors](#) / [Connector](#)

Version 4

150727 / Generated 2026/23 EN

MADE IN EUROPE

+43 512 52076

austria@stasto.eu

© STASTO Automation KG

www.stasto.com

Open series online

Page 2 / 2

