

Stainless steel ball valves with pneumatic rotary actuator

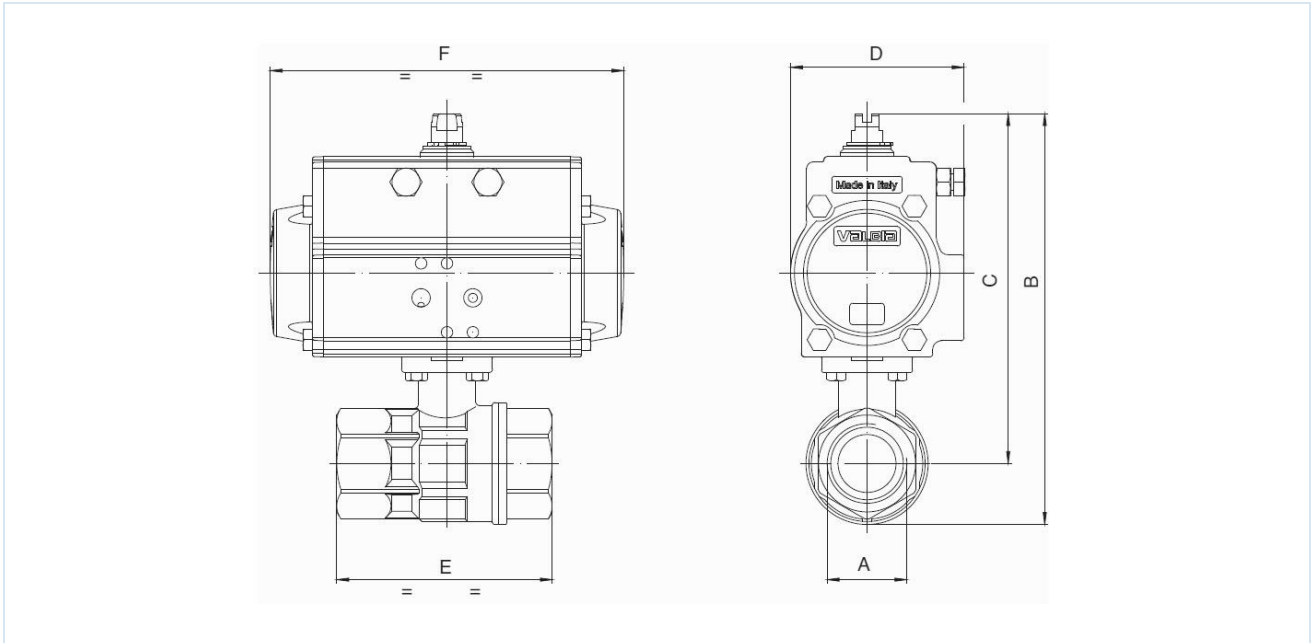
Series BAB1-...-SSTV



Design type	Ball valve: Shut-off valve with floating ball, full bore passage, Compensation borehole Actuator: piston actuator with 2 opposed pistons, elastic sealing, actuator in all details in accordance with ISO 5211 or according to NAMUR recommendations, End positions adjustable on both sides +/-5°
Function	available in double-acting or single-acting Version
Connection	RP1/2" ...RP2" according to ISO7/1
Materials Standard version	Actuator: Hard anodized aluminium, Pinion, nickel-plated steel, Piston guide POM, Seals NBR Ball valve: Body and ball stainless steel 1.4401, Seals PTFE/FKM
Application range	gaseous and liquid media that do not attack the materials used
Medium temperature	-20...+160°C
Ambient temperature	-20...+85°C
Operating pressure	0bar up to Operating pressure according to table and pressure-temperature diagram, not suitable for vacuum
Control medium	filtered and lubricated or non-lubricated compressed air
Control pressure	5,5-8 bar, Adaptation to lower pilot pressures possible on request
Mounting type	Installation in rigid piping system
Mounting position	any
Special version	Ball valve: ATEX EX II 2G Ex h IIC T6...T1 Gb / II 2D Ex h IIIC T85°C...T450°C Db, Actuator: ATEX EX II 2G Ex h IIC T6...T3 Gb / II 2D Ex h IIIC T85°C...T200°C Db Stainless steel pinion, Ambient temperatures from -40...+85°C, or rather -20...150°C on request
Accessories	assembled manual, pneumatic or electric control valve electrical end position feedback, Positioner in I/P or P/P version Adjustment of the switching speed
Ordering note	When ordering, please also specify pilot pressure, operating medium, operating pressure and operating temperature.
Application note	The pressure and temperature specifications are maximum values for normal conditions, for lubricating or non-degreasing media. Degreasing media in particular reduce the specified values and increase the required torque. For these special cases, we recommend prior consultation. When selecting the valve, the lowest control pressure occurring in the system must be taken as the basis.



Dimensions



Ball valves with double-acting rotary actuator

Connection A	Nominal size DN [mm]	max. operating pressure [bar] up to 85°C	B	C	D	E	F	Actuator type	Kv value [m³/h]	Weight [approx. kg]	Type
RP1/2"	15	40	115	98	45	67	110	PAD032	16,3	0,9	BAB1-004-SSTV-D0
RP1/2"	15	64	151,5	134,5	71	67	141	PAD052	16,3	1,7	BAB1-004-SSTV-D0B*
RP3/4"	20	40	121	100	45	78	110	PAD032	29,5	1,0	BAB1-005-SSTV-D0
RP3/4"	20	64	157,5	136,5	71	78	141	PAD052	29,5	1,8	BAB1-005-SSTV-D0B*
RP1"	25	40	136	110	45	90	110	PAD032	43	1,3	BAB1-006-SSTV-D0
RP1"	25	64	172,5	146,5	71	90	141	PAD052	43	2,1	BAB1-006-SSTV-D0B*
RP11/4"	32	40	146	113	45	100	110	PAD032	89	1,6	BAB1-007-SSTV-D0
RP11/4"	32	64	182,5	149,5	71	100	141	PAD052	89	2,4	BAB1-007-SSTV-D0B*
RP11/2"	40	40	203	165	71	112	141	PAD052	230	3,1	BAB1-008-SSTV-D0
RP2"	50	40	223	174	71	135	141	PAD052	265	4,1	BAB1-009-SSTV-D0

*With the suffix B, the ball valves are equipped with the PAD052 actuator. When using limit switch boxes and NAMUR control valves, B types must be used.

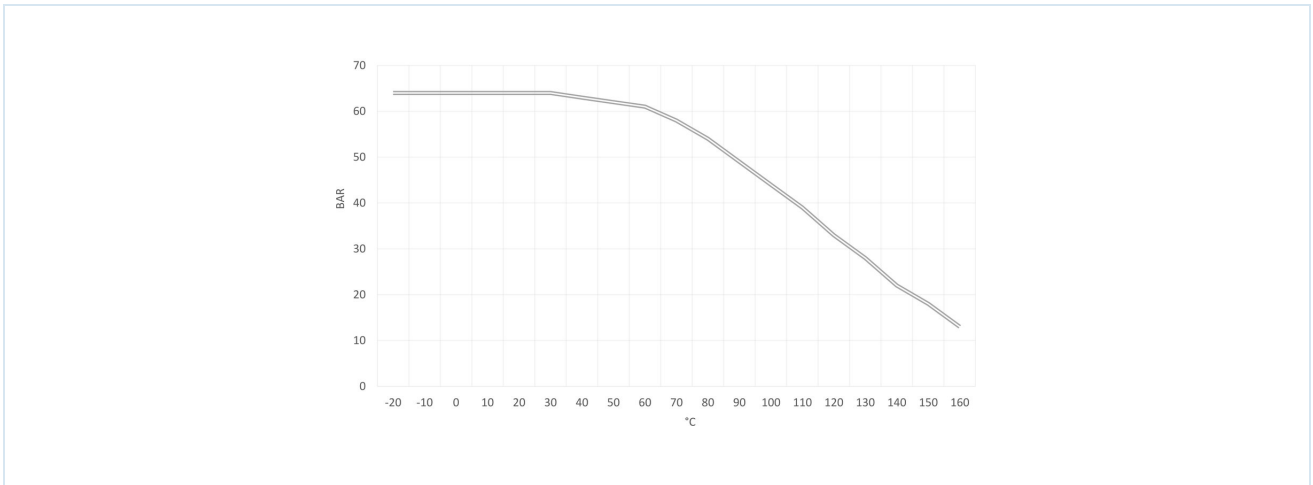
Ball valves with single-acting rotary actuator

Connection A	Nominal size DN[mm]	max. operating pressure [bar] up to 85°C	B	C	D	E	F	Actuator type	Kv value [m³/h]	Weight [approx. kg]	Type
RP1/2"	15	40	152	134	71	67	141	PAS0525	16,3	1,9	BAB1-004-SSTV-S0
RP3/4"	20	40	157	136	71	78	141	PAS0525	29,5	2,0	BAB1-005-SSTV-S0
RP1"	25	40	172	146	71	90	141	PAS0525	43	2,3	BAB1-006-SSTV-S0
RP11/4"	32	40	182	150	71	100	141	PAS0525	89	2,6	BAB1-007-SSTV-S0
RP11/2"	40	40	215	177	81	112	164	PAS0635	230	4,1	BAB1-008-SSTV-S0
RP2"	50	40	235	186	81	135	164	PAS0635	265	5,1	BAB1-009-SSTV-S0

Single-acting actuators are supplied spring-closing (NC) unless otherwise ordered.



Pressure-temperature diagram



Illustrations non-binding
Design, dimensional and material changes reserved

Armatures / Ball valves - automatically operated / Ball valves - pneumatically operated / Ball valve with pneumatic actuator Series BAB1

