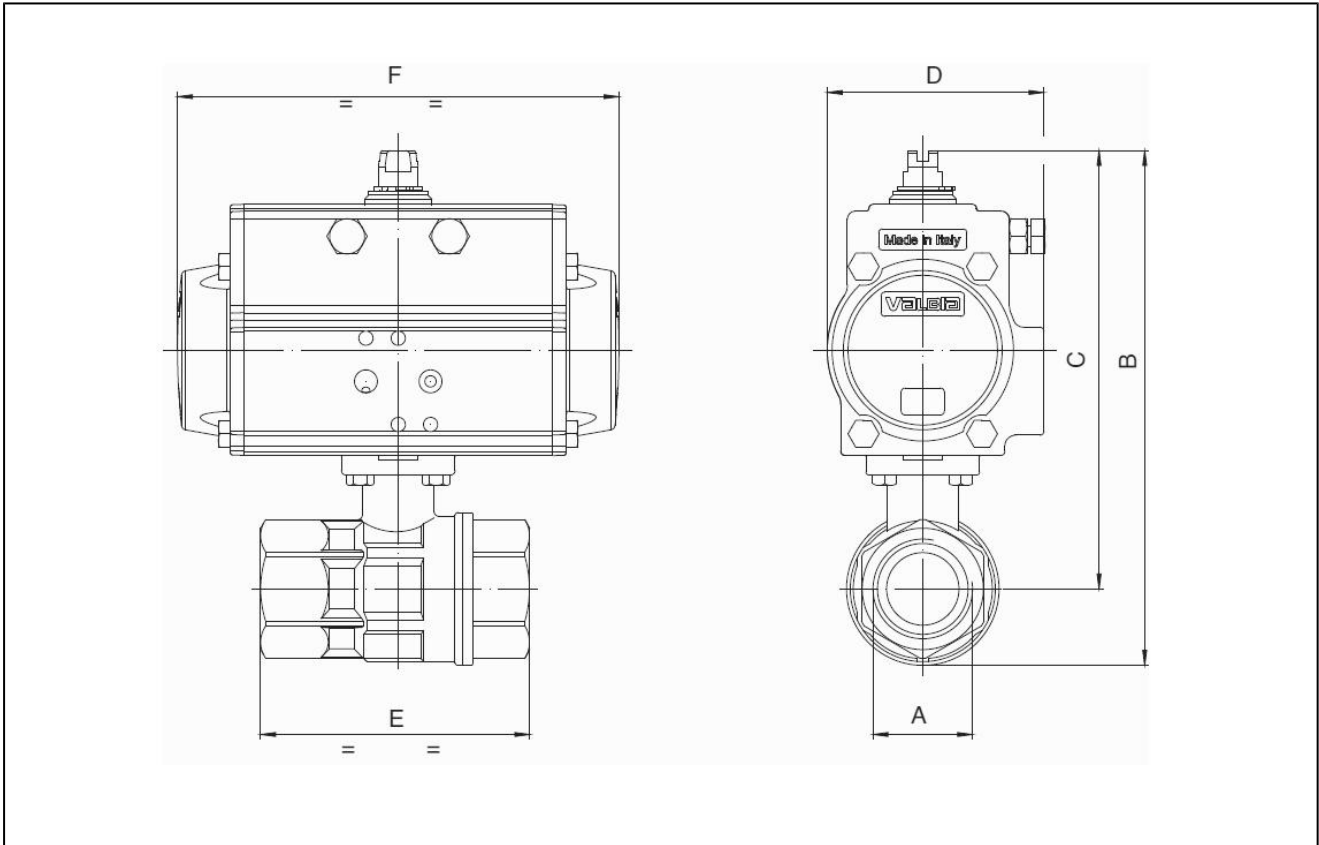


ball valves made of stainless steel with pneumatic actuator series BAB1-...-SSTV



design	ball valve: two way ball valve with floating ball, full bore, compensation hole actuator: piston actuator with 2 counteracting pistons, elastic sealing, actuator complying with ISO 5211 or rather to NAMUR-references, end position $\pm 5^\circ$ adjustable on both sides
function	available in double acting or single acting design
connection	RP1/2" ... RP2" according to ISO7/1
materials	actuator: hard-anodised aluminum, pinion nickel-plated steel, piston guide POM, seals NBR
standard construction	ball valve: body and ball stainless steel AISI 316, seals PTFE/FKM
application	gaseous and liquid fluids which do not affect the used materials
medium temperature	-20...+160°C
ambient temperature	-20...+85°C
operating pressure	0bar to operating pressure according to the table and pressure-temperature diagram, not suitable for vacuum
control medium	filtered and lubricated or non lubricated compressed air
control pressure	5,5-8 bar, adaptation for lower control pressures on request
type of fixing	installed into rigid pipework
mounting position	any
special version	ball valve: ATEX EX II 2G Ex h IIC T6...T1 Gb / II 2D Ex h IIIC T85°C...T450°C Db, actuator: ATEX II 2G Ex h IIC T6...T3 Gb / II 2D Ex h IIIC T85°C...T200°C Db pinion made of stainless steel, ambient temperatures of -40...+85°C, respectively -20...150°C on request
accessories	mounted manual, pneumatic or electric control valve electric end position signal, I/P or P/P positioner control of moving speed
order information	in case of order please specify control pressure, operating medium and operating pressure
direction for use	pressure and temperature values are maximum values for lubricating or not degreasing mediums. in particular degreasing media reduce the indicated values and increase the necessary torque. In border lines we recommend a previous consultation. when selecting the armature, the lowest control pressure in the equipment is taken as the basis

dimensions



ball valves with double acting pneumatic actuator

connection A	nominal diameter DN [mm]	max. operating pressure [bar] to 85°C	B	C	D	E	F	type of actuator	kv value [m ³ /h]	weight [app. kg]	type
RP1/2"	15	40	115	98	45	67	110	PAD032	16,3	0,9	BAB1-004-SSTV-D0
RP1/2"	15	64	151,5	134,5	71	67	141	PAD052	16,3	1,7	BAB1-004-SSTV-D0B*
RP3/4"	20	40	121	100	45	78	110	PAD032	29,5	1,0	BAB1-005-SSTV-D0
RP3/4"	20	64	157,5	136,5	71	78	141	PAD052	29,5	1,8	BAB1-005-SSTV-D0B*
RP1"	25	40	136	110	45	90	110	PAD032	43	1,3	BAB1-006-SSTV-D0
RP1"	25	64	172,5	146,5	71	90	141	PAD052	43	2,1	BAB1-006-SSTV-D0B*
RP11/4"	32	40	146	113	45	100	110	PAD032	89	1,6	BAB1-007-SSTV-D0
RP11/4"	32	64	182,5	149,5	71	100	141	PAD052	89	2,4	BAB1-007-SSTV-D0B*
RP11/2"	40	40	203	165	71	112	141	PAD052	230	3,1	BAB1-008-SSTV-D0
RP2"	50	40	223	174	71	135	141	PAD052	265	4,1	BAB1-009-SSTV-D0

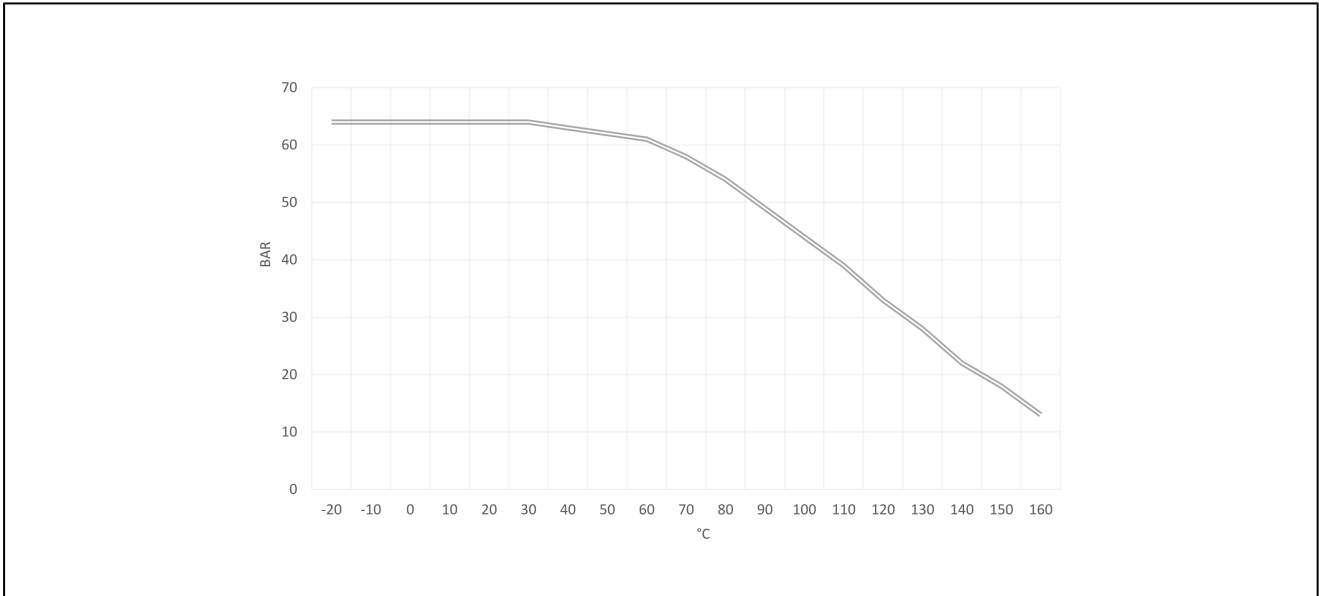
*with add-on B the ball valves will be fitted with actuator PAD052. when using limit switch boxes and NAMUR-control valves use B-types.

ball valves with single acting pneumatic actuator

connection A	nominal diameter DN[mm]	max. operating pressure [bar] to 85°C	B	C	D	E	F	type of actuator	kv value [m ³ /h]	weight [app. kg]	type
RP1/2"	15	40	152	134	71	67	141	PAS0525	16,3	1,9	BAB1-004-SSTV-S0
RP3/4"	20	40	157	136	71	78	141	PAS0525	29,5	2,0	BAB1-005-SSTV-S0
RP1"	25	40	172	146	71	90	141	PAS0525	43	2,3	BAB1-006-SSTV-S0
RP11/4"	32	40	182	150	71	100	141	PAS0525	89	2,6	BAB1-007-SSTV-S0
RP11/2"	40	40	215	177	81	112	164	PAS0635	230	4,1	BAB1-008-SSTV-S0
RP2"	50	40	235	186	81	135	164	PAS0635	265	5,1	BAB1-009-SSTV-S0

single acting actuators are delivered normally closed (NC), if not specified in your order.

pressure-temperature-diagram



illustrations are non-binding
all designs, configurations, measurements and materials are subject to change without prior notice