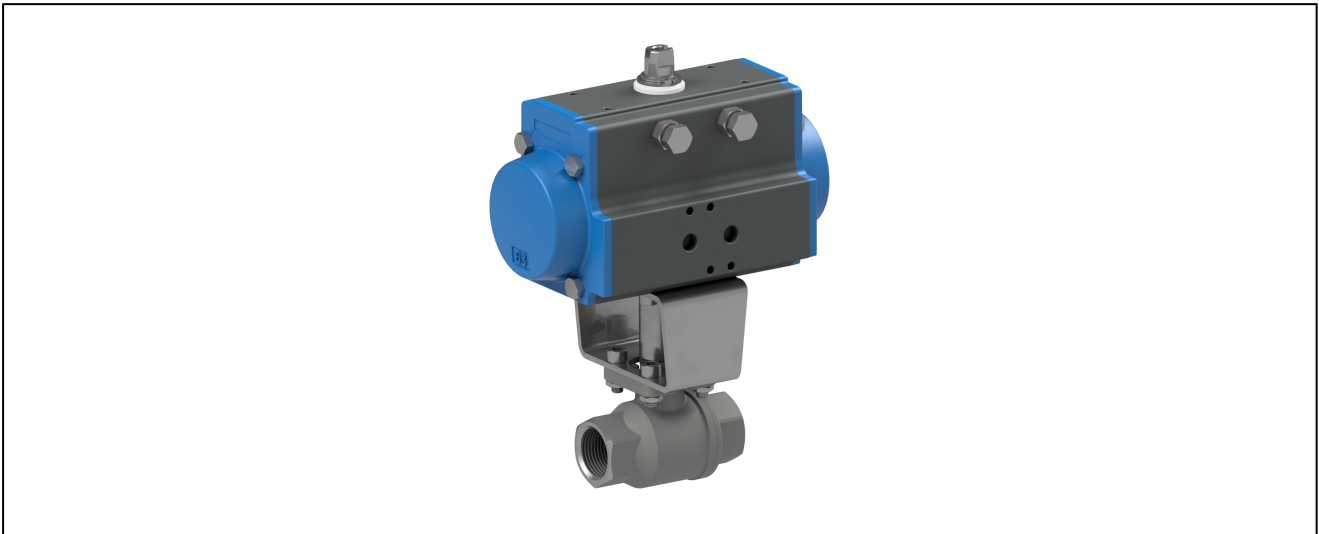
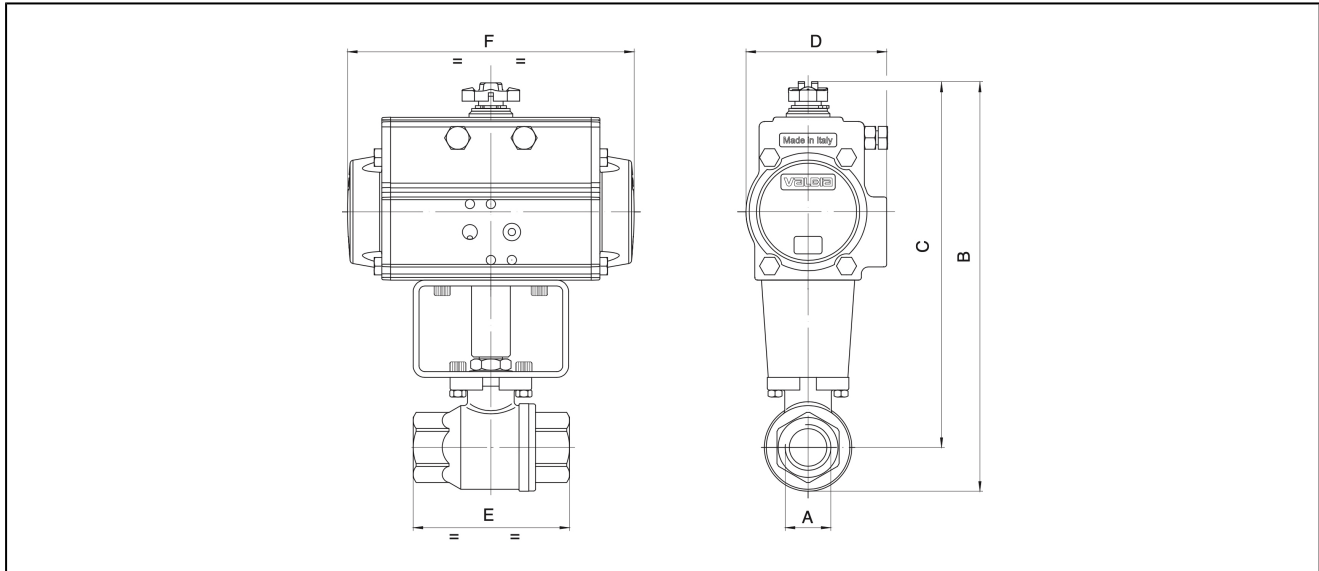


## ball valves made of stainless steel with pneumatic actuator series BA891



design	ball valve: two way ball valve with floating ball, full bore, antistatic design, compensation hole actuator: piston actuator with 2 counteracting pistons, elastic sealing, actuator complying with ISO 5211 or rather to NAMUR-references, end position +/-5° adjustable on both sides
function	available in double acting or single acting design
connection	RP1/4" ... RP4" according to ISO7/1
materials	ball valve: body and ball stainless steel AISI 316, ball seal made of graphite-reinforced PTFE, stem seal PTFE/FKM
standard construction	actuator: hard-anodised aluminum, pinion nickel-plated steel, piston guide POM, seals NBR
application	group 1 and 2 liquids and gases acc. to PED 2014/68/EU and which do not affect the used materials.
medium temperature	-20...+160°C
ambient temperature	-20...+85°C
operating pressure	0 bar to operating pressure according to the table and pressure-temperature diagram, suitable for rough vacuum
control medium	filtered and lubricated or non lubricated compressed air
control pressure	5,5...8 bar, adaptation for lower control pressures on request
type of fixing	installed into rigid pipework
mounting position	any
approvals	ball valve: ATEX EX II 2G Ex h IIC T6...T1 Gb / II 2D Ex h IIIC T85°C...T450°C Db, fire-safe, TA-Luft, SIL 3 actuator ATEX EX II 2G Ex h IIC T6...T3 Gb / II 2D Ex h IIIC T85°C...T200°C Db
special version	pinion made of stainless steel, ambient temperatures -40...+85°C respectively -20...+150°C
accessories	mounted manual, pneumatic or electric control valve electric end position signal, I/P or P/P positioner control of moving speed
order information	in case of order please specify control pressure, operating medium and operating pressure
direction for use	pressure and temperature values are maximum values for lubricating or not degreasing mediums. in particular degreasing media reduce the indicated values and increase the necessary torque. In border lines we recommend a previous consultation. when selecting the armature, the lowest control pressure in the equipment is taken as the basis

## dimensions



### ball valves with double acting pneumatic actuator

connection A	nominal diameter DN[mm]	max. operating pressure [bar]	B	C	D	E	F	type of actuator	kv value [m <sup>3</sup> /h]	weight [app. kg]	type
RP1/4"	8	140	121	106	45	55	110	PAD032	5,4		BA891-14-D0-A
RP1/4"	8	140	157	142	71	55	141	PAD052	5,4		BA891-14-D0-AB*
RP3/8"	10	140	121	106	45	55	110	PAD032	6		BA891-38-D0-A
RP3/8"	10	140	157	142	71	55	141	PAD052	6		BA891-38-D0-AB*
RP1/2"	15	140	127	109	45	66	110	PAD032	16,3		BA891-12-D0-A
RP1/2"	15	140	163	145	71	66	141	PAD052	16,3		BA891-12-D0-AB*
RP3/4"	20	105	222	199	81	79	164	PAD063	29,5		BA891-34-D0-A
RP1"	25	105	231	204	81	93	164	PAD063	43		BA891-10-D0-A
RP11/4"	32	64	240	208	81	100	164	PAD063	89		BA891-114-D0-A
RP11/2"	40	64	286	246	95	110	210	PAD075	230		BA891-112-D0-A
RP2"	50	64	301	253	95	131	210	PAD075	265		BA891-20-D0-A
RP21/2"	65	25	341	281	106	159	241	PAD085	540		BA891-212-D0-A
RP3"	80	25	376	304	123	185	275	PAD100	873		BA891-30-D0-A
RP4"	100	25	464	375	137	222	333	PAD115	1390		BA891-40-D0-A

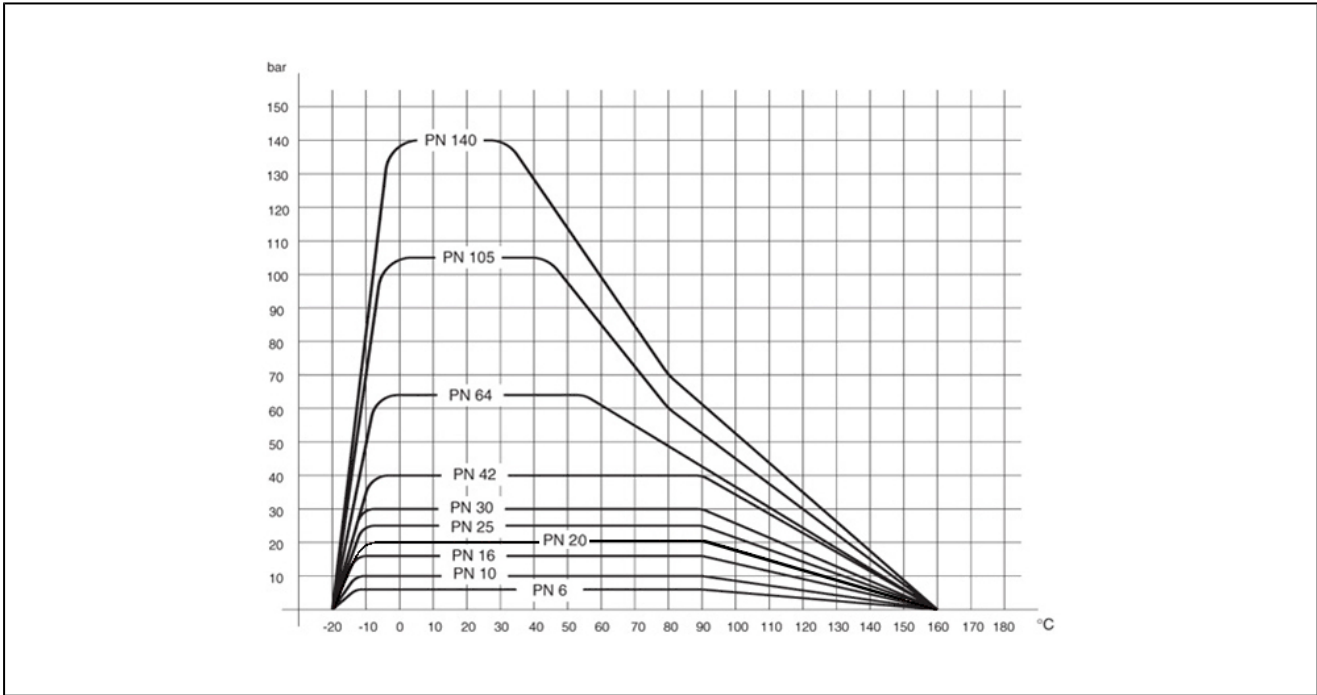
\*with add-on B the ball valves will be fitted with actuator PAD052. when using limit switch boxes and NAMUR-control valves use B-types

### ball valves with single acting pneumatic actuator

connection A	nominal diameter DN[mm]	max. operating pressure [bar]	B	C	D	E	F	type of actuator	kv value [m <sup>3</sup> /h]	weight [app. kg]	type
RP1/4"	8	140	157	142	71	55	141	PAS0525	5,4		BA891-14-S0-A
RP3/8"	10	140	157	142	71	55	141	PAS0525	6		BA891-38-S0-A
RP1/2"	15	140	163	145	71	66	141	PAS0525	16,3		BA891-12-S0-A
RP3/4"	20	105	254	231	106	79	241	PAS0855	29,5		BA891-34-S0-A
RP1"	25	105	263	236	106	93	241	PAS0855	43		BA891-10-S0-A
RP11/4"	32	64	272	240	106	100	241	PAS0855	89		BA891-114-S0-A
RP11/2"	40	64	313	273	123	110	275	PAS1005	230		BA891-112-S0-A
RP2"	50	64	362	315	137	131	333	PAS1155	265		BA891-20-S0-A
RP21/2"	65	25	409	348	137	159	333	PAS1155	540		BA891-212-S0-A
RP3"	80	25	465	393	164	185	435	PAS1405	873		BA891-30-S0-A
RP4"	100	25	522	434	186	222	500	PAS1605	1390		BA891-40-S0-A

single acting actuators are delivered normally closed (NC), if not specified in your order.

# pressure-temperature-diagram



illustrations are non-binding  
all designs, configurations, measurements and materials are subject to change without prior notice