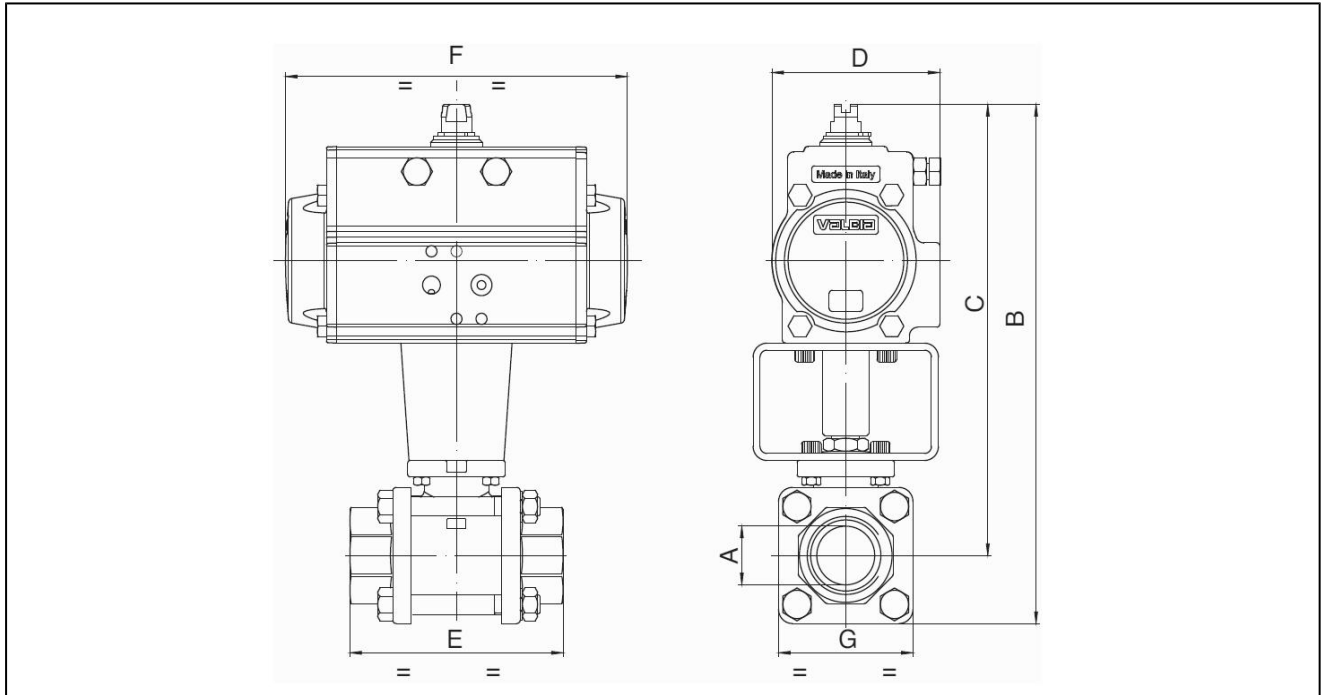


ball valves made of stainless steel with pneumatic actuator, socket weld ends series BAC5-...-SSTV



design	actuator: piston actuator with 2 counteracting pistons, elastic sealing, actuator complying with ISO 5211 or rather to NAMUR-references, end position +/-5° adjustable on both sides
connection	socket weld ends DN10 ... DN100 according to DIN 3239
materials	actuator: hard-anodised aluminum, pinion nickel-plated steel, piston guide POM, seals NBR
standard construction	ball valve: body and ball stainless steel AISI 316, ball seal PTFE, stem seal PTFE/FKM
function	available in double acting or single acting design
type of fixing	installed into rigid pipework
mounting position	any
control medium	filtered and lubricated or non lubricated compressed air
application	gaseous and liquid fluids which do not affect the used materials
medium temperature	-20°C...+160°C
ambient temperature	-20°C...+85°C
control pressure	5,5-8 bar, adaptation for lower control pressures on request
operating pressure	0bar to operating pressure according to the table and pressure-temperature diagram, suitable for rough vacuum
special version	ball valve: ATEX EX II 2G Ex h IIC T6...T1 Gb / II 2D Ex h IIIC T85°C...T450°C Db, actuator: ATEX II 2G Ex h IIC T6...T3 Gb / II 2D Ex h IIIC T85°C...T200°C Db pinion made of stainless steel, ambient temperatures of -40...+85°C respectively -20...+150°C on request
accessories	mounted manual, pneumatic or electric control valve electric end position signal, I/P or P/P positioner control of moving speed
order information	in case of order please specify control pressure, operating medium and operating pressure
direction for use	pressure and temperature values are maximum values for lubricating or not degreasing mediums. in particular degreasing media reduce the indicated values and increase the necessary torque. In border lines we recommend a previous consultation. when selecting the armature, the lowest control pressure in the equipment is taken as the basis

dimensions



ball valves with double acting pneumatic actuator

nominal diameter DN[mm]	max. operating pressure [bar] to 85°C	B	C	D	E	F	G	type of actuator	kv value [m ³ /h]	weight [app. kg]	type connection A
10	64	128	111	45	57	110	33	PAD032	6	0,9	BAC5-003-SSTV-D0
10	64	164,5	147,5	71	57	141	33	PAD052	6	1,7	BAC5-003-SSTV-D0B*
15	64	135	116	45	65	110	38	PAD032	16,3	1,0	BAC5-004-SSTV-D0
15	64	171,5	152,5	71	65	141	38	PAD052	16,3	1,8	BAC5-004-SSTV-D0B*
20	40	212	188	71	76	141	47	PAD052	29,5	2,1	BAC5-005-SSTV-D0
25	40	222	193	71	92	141	58	PAD052	43	2,8	BAC5-006-SSTV-D0
32	25	230	197	71	106	141	67	PAD052	89	3,2	BAC5-007-SSTV-D0
40	25	267	229	81	116	164	76	PAD063	230	4,7	BAC5-008-SSTV-D0
50	25	298	253	95	136	210	90	PAD075	265	6,9	BAC5-009-SSTV-D0
65	16	348	281	106	153	241	134	PAD085	540	13,1	BAC5-010-SSTV-D0
80	16	373	292	106	180	241	161	PAD085	873	19,6	BAC5-011-SSTV-D0
100	16	436	341	123	217	275	190	PAD100	1390	29,7	BAC5-012-SSTV-D0

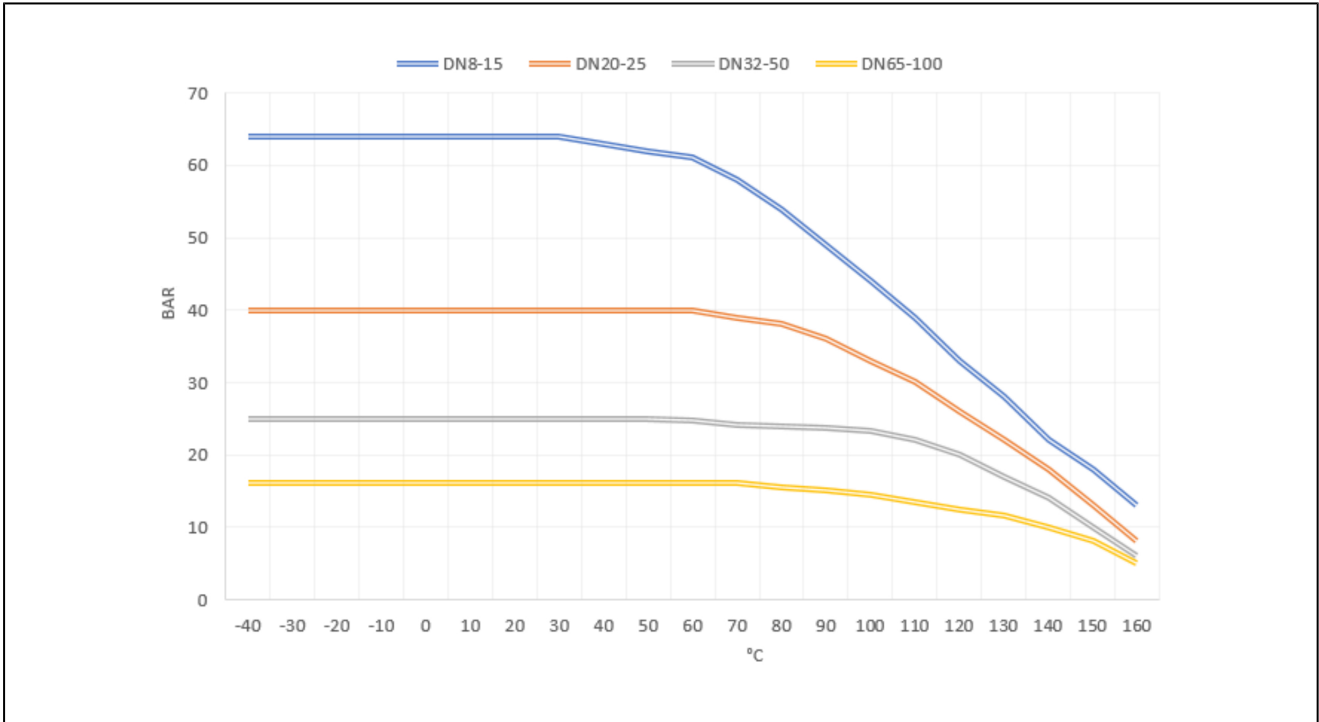
*with add-on B the ball valves will be fitted with actuator PAD052. when using limit switch boxes and NAMUR-control valves use B-types.

ball valves with single acting pneumatic actuator

nominal diameter DN [mm]	max. operating pressure [bar] to 85°C	B	C	D	E	F	G	type of actuator	kv value [m ³ /h]	weight [app. kg]	type connection A
10	64	164	148	71	57	141	33	PAS0525	6	2,0	BAC5-003-SSTV-S0
15	64	171	152	71	65	141	38	PAS0525	16,3	2,1	BAC5-004-SSTV-S0
20	40	224	200	81	76	164	47	PAS0635	29,5	3,1	BAC5-005-SSTV-S0
25	40	234	205	81	92	164	58	PAS0635	43	3,7	BAC5-006-SSTV-S0
32	25	242	209	81	106	164	67	PAS0635	89	4,3	BAC5-007-SSTV-S0
40	25	299	261	106	116	241	76	PAS0855	230	7,8	BAC5-008-SSTV-S0
50	25	326	281	123	136	275	90	PAS1005	265	12,0	BAC5-009-SSTV-S0
65	16	415	348	137	153	333	134	PAS1155	540	23,7	BAC5-010-SSTV-S0
80	16	452	371	148	180	372	161	PAS1255	873	28,3	BAC5-011-SSTV-S0
100	16	482	387	148	217	372	190	PAS1255	1390	37,2	BAC5-012-SSTV-S0

single acting actuators are delivered normally closed (NC), if not specified in your order.

pressure-temperature-diagram



illustrations are non-binding
all designs, configurations, measurements and materials are subject to change without prior notice