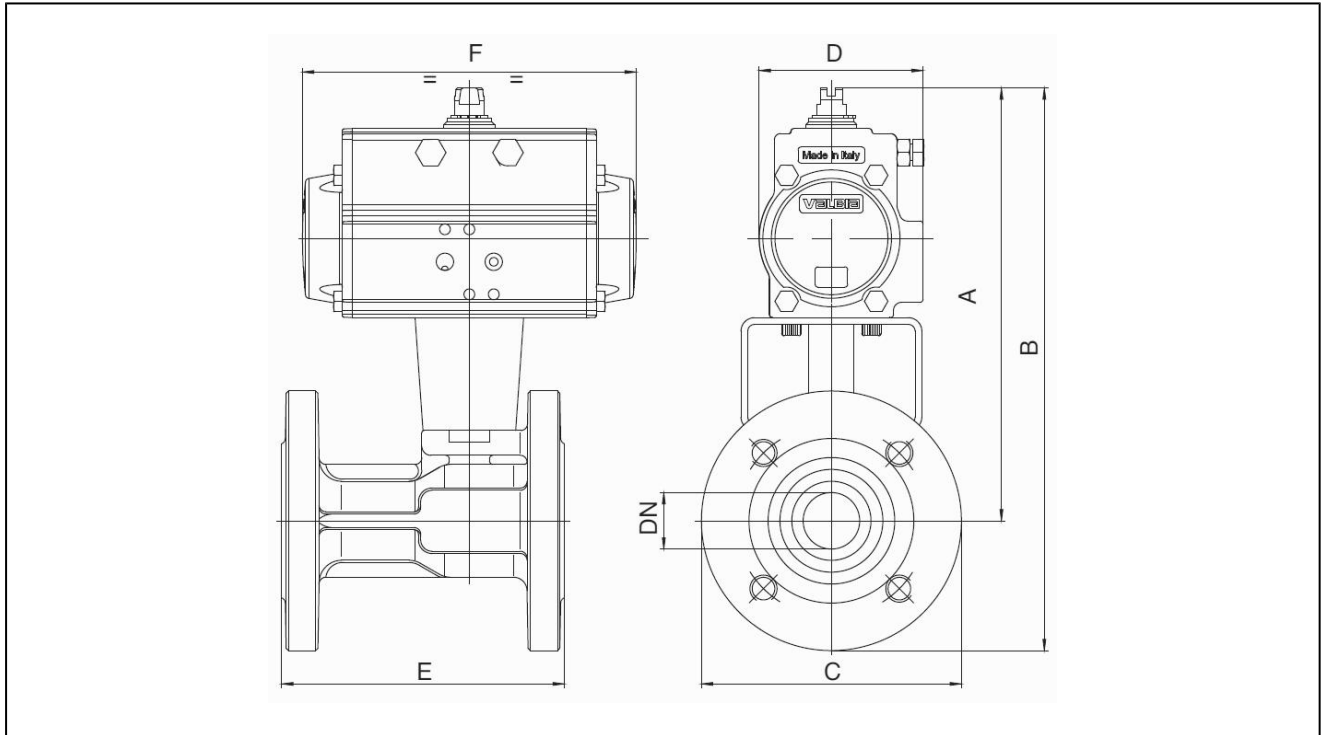


flanged ball valves made of cast iron with pneumatic actuator series BA040



design	actuator: piston actuator with 2 counteracting pistons, elastic sealing, actuator complying with ISO 5211 or rather to NAMUR-references, end position $\pm 5^\circ$ adjustable on both sides
function	available in double acting or single acting design
connection	flange DN25...DN200 according to EN1092-1, PN16
length	DN25...DN150 according to EN558-1R14, DN200 according to EN558-1R27
materials	actuator: hard-anodised aluminum, pinion nickel-plated steel, piston guide POM, seals NBR
standard construction	ball valve: body cast iron EN-GJL-250, ball stainless steel AISI 304, seals PTFE/NBR
application	gaseous and liquid fluids which do not affect the used materials
medium temperature	-10...+120°C
ambient temperature	-20...+85°C
operating pressure	vacuum max. 10^{-3} Torr to operating pressure according to the table and pressure-temperature diagram
control medium	filtered and lubricated or non lubricated compressed air
control pressure	5,5...8bar, adaptation for lower control pressures on request
type of fixing	installed into rigid pipework
mounting position	any
special version	ball valve: ATEX EX II 2G Ex h IIC T6...T1 Gb / II 2D Ex h IIIC T85°C...T450°C Db, actuator: ATEX II 2G Ex h IIC T6...T3 Gb / II 2D Ex h IIIC T85°C...T200°C Db pinion made of stainless steel, ambient temperatures -40...+85°C, respectively -20...+150°C
accessories	mounted manual, pneumatic or electric control valve electric end position signal, I/P or P/P positioner control of moving speed
order information	in case of order please specify control pressure, operating medium and operating pressure
direction for use	pressure and temperature values are maximum values for lubricating or not degreasing mediums. in particular degreasing media reduce the indicated values and increase the necessary torque. In border lines we recommend a previous consultation. when selecting the armature, the lowest control pressure in the equipment is taken as the basis

dimensions



ball valves with double acting pneumatic actuator

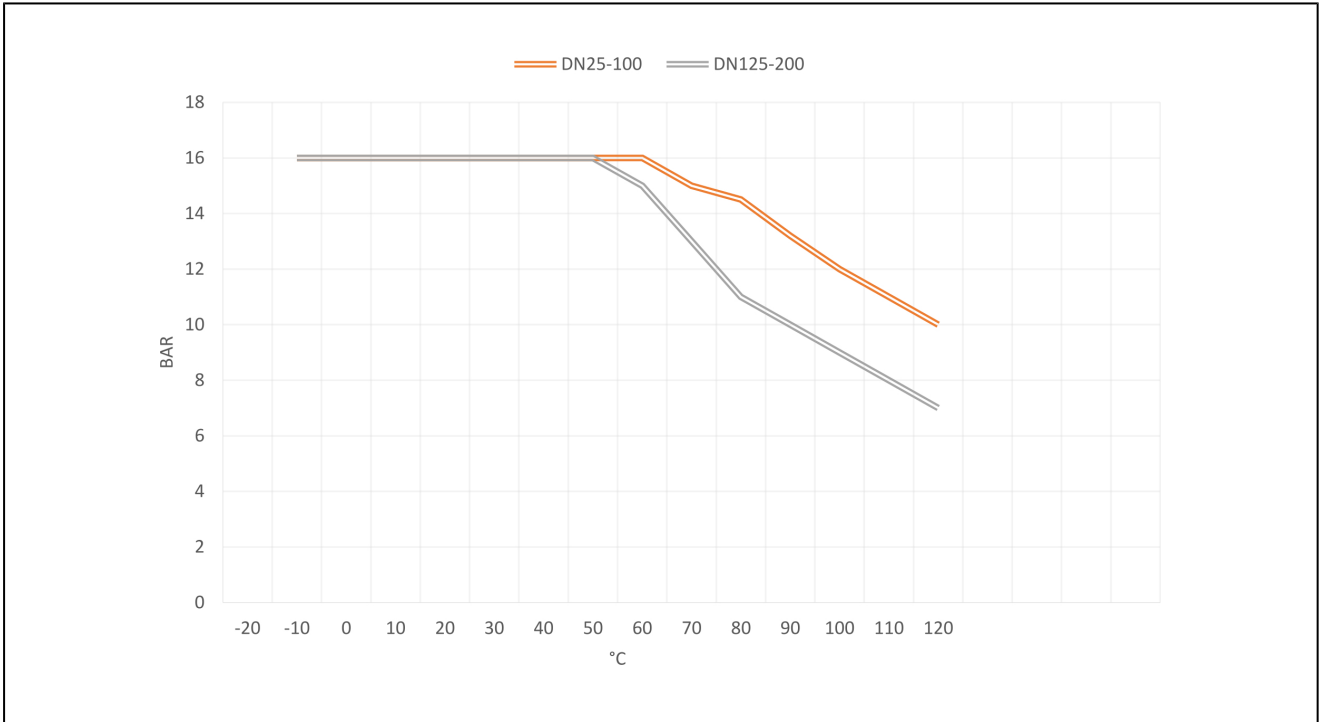
nominal diameter DN[mm]	max. operating pressure [bar] to 85°C	A	B	C	D	E	F	type of actuator	kv value [m ³ /h]	weight [app. kg]	type
25	16	191	249	115	71	125	141	PAD052	65	4,6	BA040-025-D0
32	16	198	268	140	71	130	141	PAD052	104	6,1	BA040-032-D0
40	16	227	302	150	81	140	164	PAD063	174	8,6	BA040-040-D0
50	16	252	335	165	95	150	210	PAD075	301	11,3	BA040-050-D0
65	16	280	373	185	106	170	241	PAD085	546	16,0	BA040-065-D0
80	16	291	391	200	106	180	241	PAD085	873	18,1	BA040-080-D0
100	16	343	453	220	123	190	275	PAD100	1363	27,0	BA040-100-D0
125	16	400	525	250	137	200	333	PAD115	2360	44,1	BA040-125-D0
150	16	435	578	285	148	210	372	PAD125	3671	57,2	BA040-150-D0
200	16	523	693	340	186	400	500	PAD160	6817	125,7	BA040-200-D0

ball valves with single acting pneumatic actuator

nominal diameter DN[mm]	max. operating pressure [bar] to 85°C	A	B	C	D	E	F	type of actuator	kv value [m ³ /h]	weight [app. kg]	type
25	16	203	261	115	81	125	164	PAS0635	65	5,4	BA040-025-S0
32	16	209	279	140	106	130	241	PAS0855	104	9,8	BA040-032-S0
40	16	259	334	150	106	140	241	PAS0855	174	11,8	BA040-040-S0
50	16	279	362	165	123	150	275	PAS1005	301	15,5	BA040-050-S0
65	16	348	441	185	106	170	333	PAS1155	546	24,3	BA040-065-S0
80	16	371	471	200	148	180	372	PAS1255	873	29,0	BA040-080-S0
100	16	389	499	220	148	190	372	PAS1255	1363	35,6	BA040-100-S0
125	16	458	583	250	186	200	500	PAS1605	2360	65,0	BA040-125-S0
150	16	538	681	285	217	210	579	PAS2005	3671	102,1	BA040-150-S0
200	16	580	750	340	217	400	579	PAS2005	6817	161,6	BA040-200-S0

single acting actuators are delivered normally closed (NC), if not specified in your order.

pressure-temperature-diagram



illustrations are non-binding
all designs, configurations, measurements and materials are subject to change without prior notice