

## 3-Way stainless steel ball valves Series BA541 and BA542



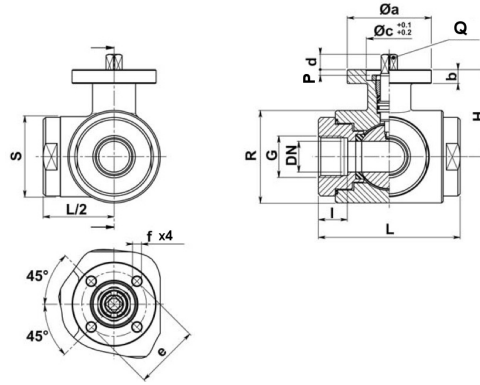
Design type	3-way ball valve with floating ball, free shaft, triple-lip sealing, non-overlapping, full bore passage
Actuation	by 90° rotation
Connection	G1/4"...G4" according to ISO228/1
Materials	Body and ball stainless steel 1.4404, Seals MPTFE/FKM
Application range	Fluids and gases of group 1 and 2 in accordance with PED 2014/68/EU that do not attack the materials used
Medium temperature	-20...+170°C
Operating pressure	0bar up to Operating pressure according to table and pressure-temperature diagram
Mounting type	Installation in rigid piping system
Mounting position	any
Special versions	antistatic version ATEX EX II 2G Ex h IIC T4 Gb / II 2D Ex h IIIC T135°C Db, Seals PTFE-reinforced on request

### Circuit diagram

BA541				BA542		
Switching type 01	Switching type 02	Switching type 03	Switching type 04	Switching type 05	Switching type 06	Switching type 07
Position 2 (Operating position for single-acting actuator)						

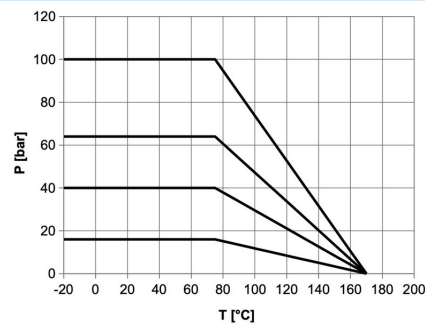


## Dimensions



G	Nominal size DN[mm]	PN [bar]	L	I	H	R	S	ISO-DIN	Øa	b	Øc	P	Q	d	e	f	Weight [approx. kg]	Type T-port hole	Type L-bore
G1/4"	12	100	72	16	46,5	45	40	F03	46	9	25	3	9	8	36	6	1,0	BA541-14-B	BA542-14-B
G3/8"	12	100	72	16	46,5	45	40	F03	46	9	25	3	9	8	36	6	0,9	BA541-38-B	BA542-38-B
G1/2"	15	100	82	18	49	52	42	F03	46	9	25	3	9	8	36	6	1,2	BA541-12-B	BA542-12-B
G1/2"	15	100	82	18	49	52	42	F04	54	9	30	3	11	10	42	6	1,3	BA541-12-B-01	BA542-12-B-01
G3/4"	20	100	92	19	56,5	60	52	F05	65	9	35	3	14	13	50	7	2,0	BA541-34-B	BA542-34-B
G1"	25	64	102	20	61	70	60	F05	65	12	35	3	14	13	50	7	2,7	BA541-10-B	BA541-10-B
G11/4"	32	64	118	20	81,5	85	75	F07	90	12	55	4	17	15	70	9	4,6	BA541-114-B	BA542-114-B
G11/4"	32	64	118	20	81,5	85	75	F05	65	12	35	4	14	13	50	7	4,5	BA541-114-B-01	BA542-114-B-01
G11/2"	40	64	134	20	89	100	90	F05	65	12	35	4	14	13	50	7	6,8	BA542-112-B-01	BA541-112-B
G11/2"	40	64	134	20	89	100	90	F07	90	12	55	4	17	15	70	9	7,0	BA542-112-B	BA541-112-B-01
G2"	50	40	144	20	91,5	110	100	F07	90	12	55	4	17	15	70	9	8,2	BA542-20-B	BA541-20-B
G21/2"	65	40	160	22	101,5	123	95	F07	90	12	55	4	17	15	70	9	10,0	BA542-212-B	BA541-212-B
G3"	80	40	200	26	116	160	115	F07	90	12	55	4	17	15	70	9	20,9	BA542-30-B	BA541-30-B
G3"	80	40	200	26	116	160	115	F10	125	12	70	4	22	18	102	11	21,4	BA542-30-B-01	BA541-30-B-01
G4"	100	16	240	26	131	190	145	F07	90	12	55	4	17	15	70	9	33,5	BA542-40-B	BA541-40-B
G4"	100	16	240	26	131	190	145	F10	125	12	70	4	22	18	102	11	34,0	BA542-40-B-01	BA541-40-B-01

## Pressure-temperature diagram



Illustrations non-binding

Design, dimensional and material changes reserved

Armatures / Ball valves - automatically operated / Other materials - A03 / Ball valve made of stainless steel Series BA541, BA542

Version 4

151143 / Generated 2026/23 EN

MADE IN EUROPE

+43 512 52076

austria@stasto.eu

© STASTO Automation KG

www.stasto.com

Open series online

Page 2 / 2

