

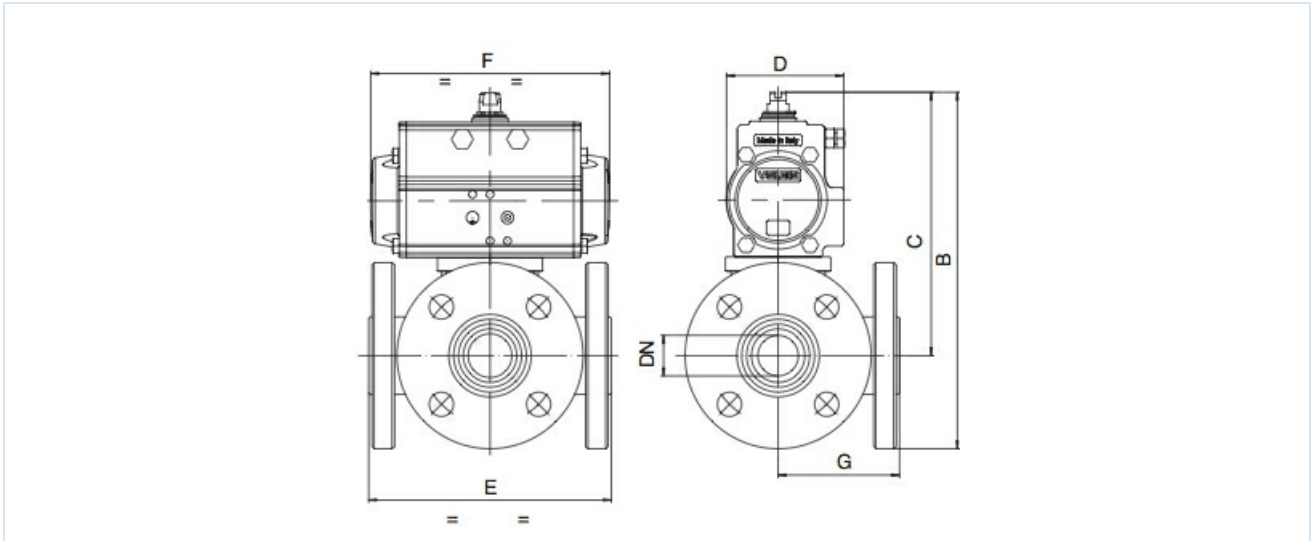
Three-way flanged ball valves made of stainless steel with pneumatic rotary actuator Series BA056, BA055



Design type	Ball valve: full bore passage, Triple-shell sealing ball, non-overlapping Actuator: piston actuator with 2 opposed pistons, elastic sealing, actuator in all details in accordance with ISO 5211 or according to NAMUR recommendations, End positions adjustable on both sides +/-5°
Function	available in double-acting or single-acting Version
Connection	rotatable flanges Flanges DN15...DN100 according to EN1092-1
Materials Standard version	Actuator: Hard anodized aluminium, Pinion, nickel-plated steel, Piston guide POM, Seals NBR Ball valve: Housing Stainless steel 1.4404 polished, Ball Stainless steel 1.4404, Ball seal MPTFE, Spindle seal PTFE/FKM
Application range	gaseous and liquid media that do not attack the materials used
Medium temperature	-20...+170°C
Ambient temperature	-20...+85°C
Operating pressure	0bar up to Operating pressure according to table and pressure-temperature diagram
Control medium	filtered and lubricated or non-lubricated compressed air
Control pressure	5,5...8bar, Adaptation to lower pilot pressures possible on request
Mounting type	Installation in rigid piping system
Mounting position	any
Special version	Ball valve: antistatic version ATEX EX II 2G Ex h IIC T4 Gb / II 2D Ex h IIIC T135°C Db Actuator: ATEX II 2G Ex h IIC T6...T3 Gb / II 2D Ex h IIIC T85°C...T200°C Db Stainless steel pinion, Ambient temperatures from -40...+85°C or rather -20...+150°C on request
Accessories	assembled manual, pneumatic or electric control valve electrical end position feedback, Positioner in I/P or P/P version Adjustment of the switching speed
Ordering note	Please also specify switching type, control pressure, operating medium, operating pressure and operating temperature when ordering.
Application note	The pressure and temperature specifications are maximum values for normal conditions, for lubricating or non-degreasing media. Degreasing media in particular reduce the specified values and increase the required torque. For these special cases, we recommend prior consultation. When selecting the valve, the lowest control pressure occurring in the system must be taken as the basis.



Dimensions



Ball valves with double-acting rotary actuator

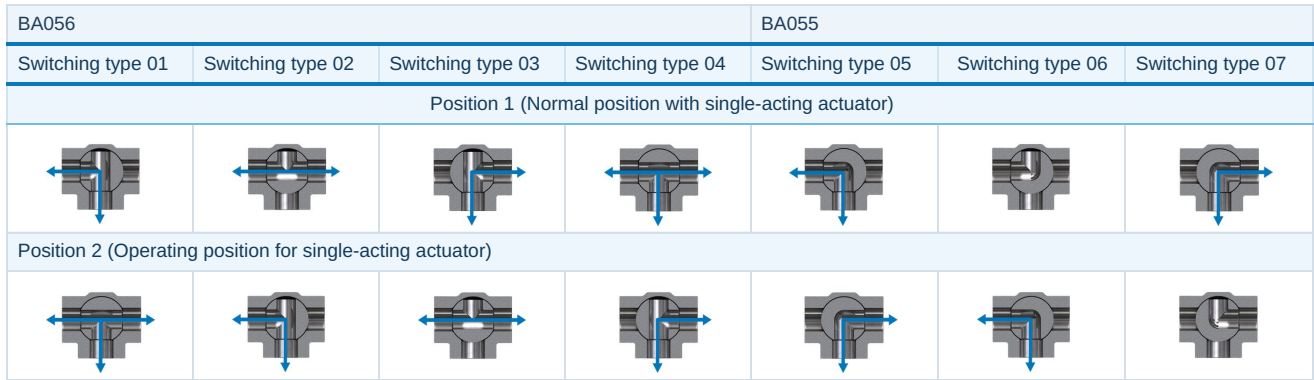
Nominal size DN[mm]	max. operating pressure [bar] up to 80°C	B	C	D	E	F	G	Actuator type	Weight [approx. kg]	Type T-port hole	Type L-bore
15	40	248	201	71	130	141	65	PAD052	4,7	BA056-15-D0	BA055-15-D0
20	40	272	220	81	140	164	70	PAD063	7,1	BA056-20-D0	BA055-20-D0
25	40	282	224	81	150	164	75	PAD063	8,3	BA056-25-D0	BA055-25-D0
32	40	333	263	95	180	210	90	PAD075	14,1	BA056-32-D0	BA055-32-D0
40	40	345	270	95	200	210	100	PAD075	17,5	BA056-40-D0	BA055-40-D0
50	40	355	273	95	220	210	110	PAD075	21,7	BA056-50-D0	BA055-50-D0
65	16	389	297	106	240	241	120	PAD085	28,3	BA056-65-D0	BA055-65-D0
80	16	374	274	123	260	275	130	PAD100	39,3	BA056-80-D0	BA055-80-D0
100	16	434	324	137	300	333	150	PAD115	57,7	BA056-100-D0	BA055-100-D0

Ball valves with single-acting rotary actuator

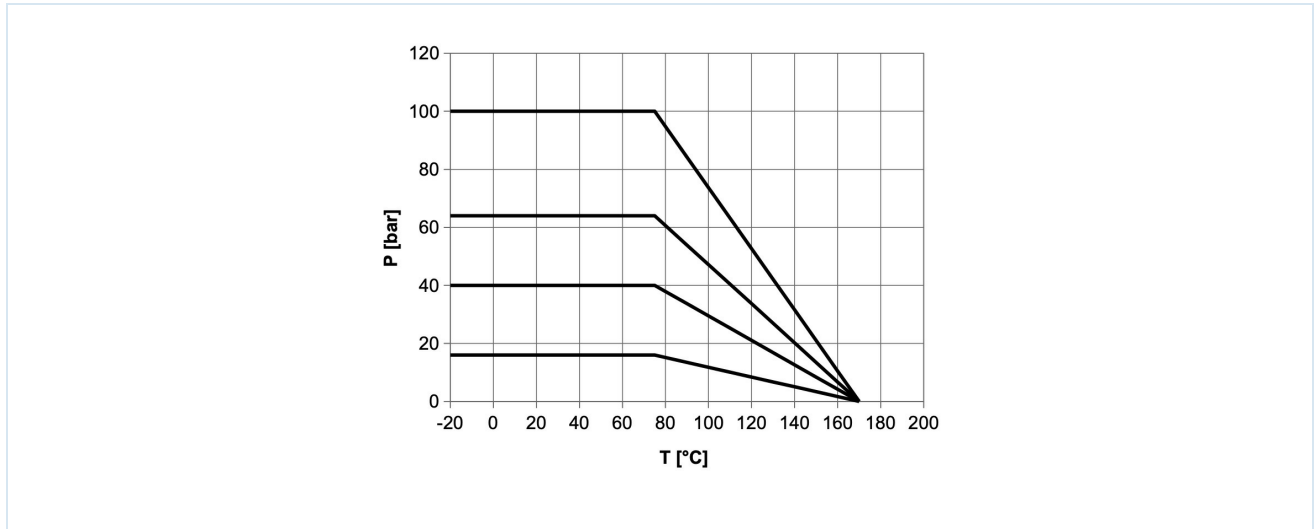
Nominal size DN[mm]	max. operating pressure [bar] up to 80°C	B	C	D	E	F	G	Actuator type	Weight [approx. kg]	Type T-port hole	Type L-bore
15	40	278	230	95	130	210	65	PAS0755	6,9	BA056-15-S0	BA055-15-S0
20	40	304	252	106	140	241	70	PAS0855	10,2	BA056-20-S0	BA055-20-S0
25	40	336	279	123	150	275	75	PAS1005	11,3	BA056-25-S0	BA055-25-S0
32	40	310	240	123	180	275	90	PAS1005	18,6	BA056-32-S0	BA055-32-S0
40	40	357	282	137	200	333	100	PAS1155	26,3	BA056-40-S0	BA055-40-S0
50	40	367	285	137	220	333	110	PAS1155	29,9	BA056-50-S0	BA055-50-S0
65	16	398	306	148	240	372	120	PAS1255	37,9	BA056-65-S0	BA055-65-S0
80	16	467	367	186	260	500	130	PAS1605	63,7	BA056-80-S0	BA055-80-S0
100	16	492	382	186	300	500	150	PAS1605	79,6	BA056-100-S0	BA055-100-S0



Circuit diagram



Pressure-temperature diagram



Illustrations non-binding

Design, dimensional and material changes reserved

Armatures / Ball valves - automatically operated / Flanged ball valves - pneumatically operated / Flanged ball valve with pneumatic actuator Series BA055, BA056

