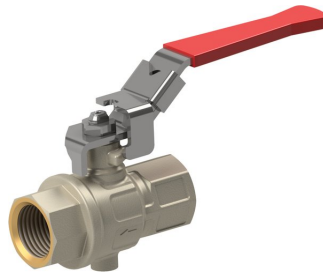
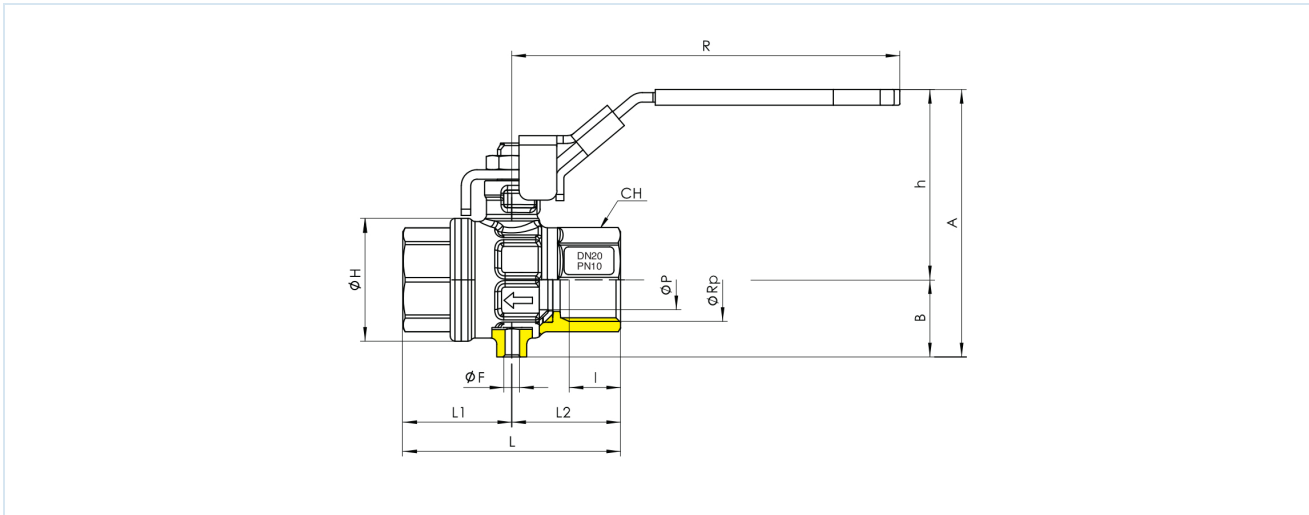


Brass ball valves Series BA265



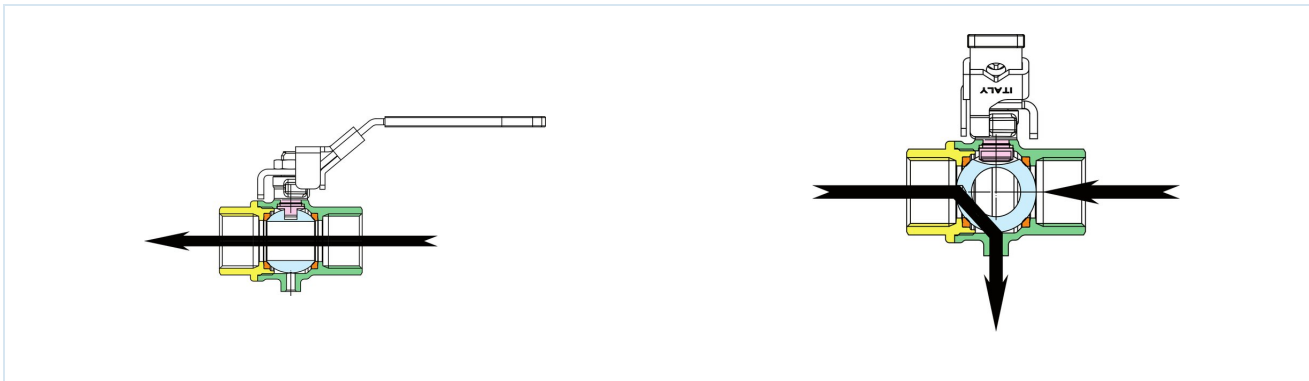
Design type	Ball valve with floating ball and drain hole, full bore, with locking device
Actuation	by 90° rotation of the hand lever
Connection	RP1/4" ... RP1" according to ISO7/1
Materials	Body brass CW617N nickel-plated, ball brass CW614N hard-chrome plated, ball seal PTFE, stem seal PTFE adjustable/NBR, hand lever steel zinc-plated with red PVC coating; Adjustable spindle seal PTFE/NBR
Application range	Gases and liquids of group 2 in accordance with PED 2014/68/EU that do not attack the materials used.
Medium temperature	-10...+100°C
Operating pressure	0...10bar
Mounting type	Installation in rigid piping system
Mounting position	any
Scope of delivery	Ball valve with hand lever, without padlock provision VS37





Connection ØRp	Nominal size DN[mm]	PN [bar]	A	B	Ch	ØF	h	ØH	I	L	L1	L2	R	ØP	Kv value [m³/h]	Weight [approx. kg]	Type
RP1/4"	8	10	61,5	15,5	20	M5	46	23	11	51,5	27,5	24	96	10	5,4	0,18	BA265-14-LLD
RP3/8"	10	10	61,5	15,5	20	M5	46	23	11,4	51,5	27,5	24	96	10	6	0,16	BA265-38-LLD
RP1/2"	15	10	69,7	20	33	M5	49,7	33	15	62	31	31	96	14	15,7	0,24	BA265-12-LLD
RP3/4"	20	10	85	24,5	39	M5	60,5	39	16,3	69	34,5	34,5	123	19	28	0,40	BA265-34-LLD
RP1"	25	10	94,3	29	49	M5	65,3	49	19,1	83	41,5	41,5	123	24	41,5	0,61	BA265-10-LLD

Operating diagram



Illustrations non-binding
Design, dimensional and material changes reserved

Armatures / Ball valves - manually operated / Ball valves - brass / Ball valve made of brass Series BA265

